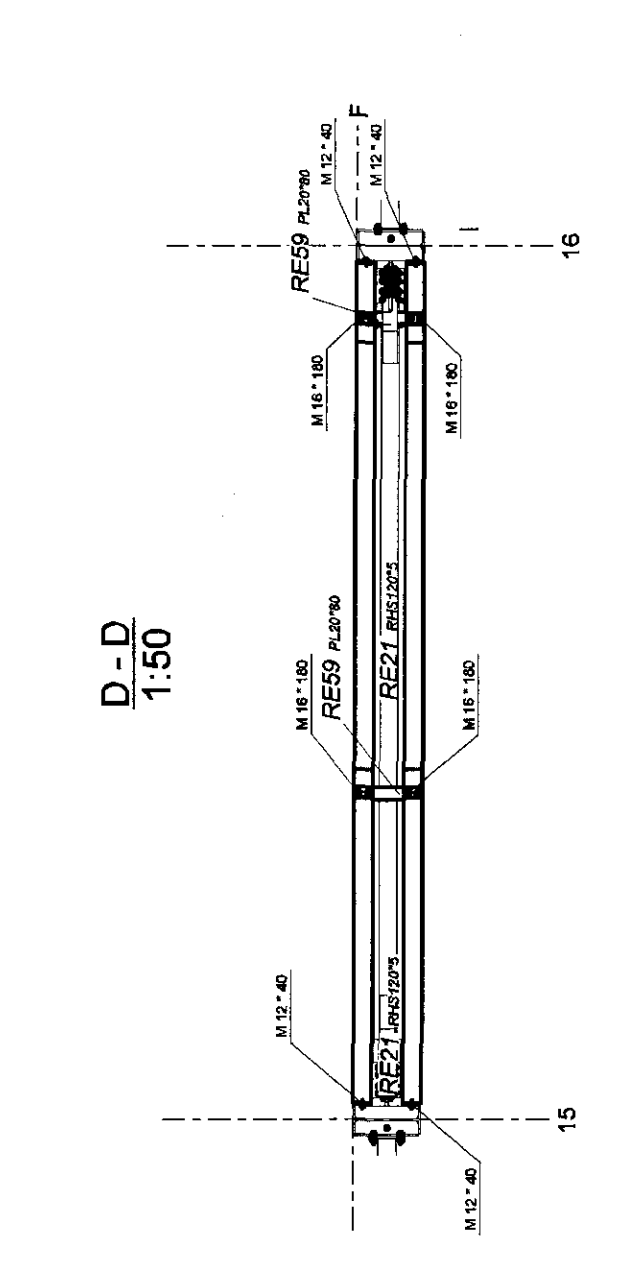
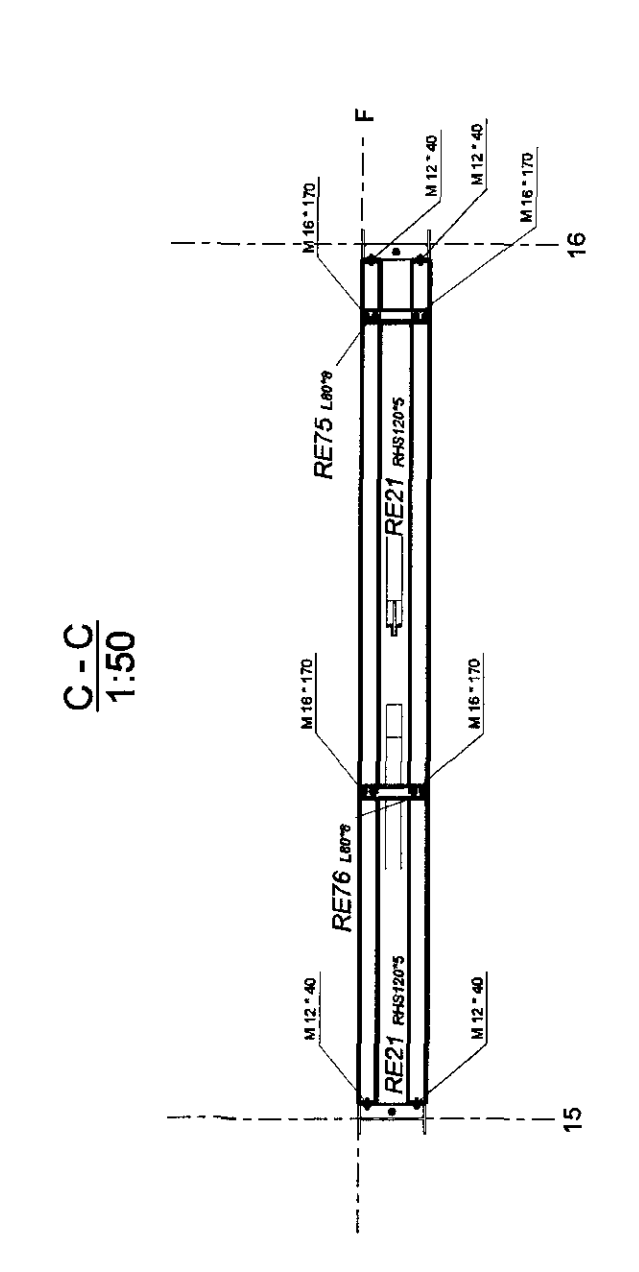
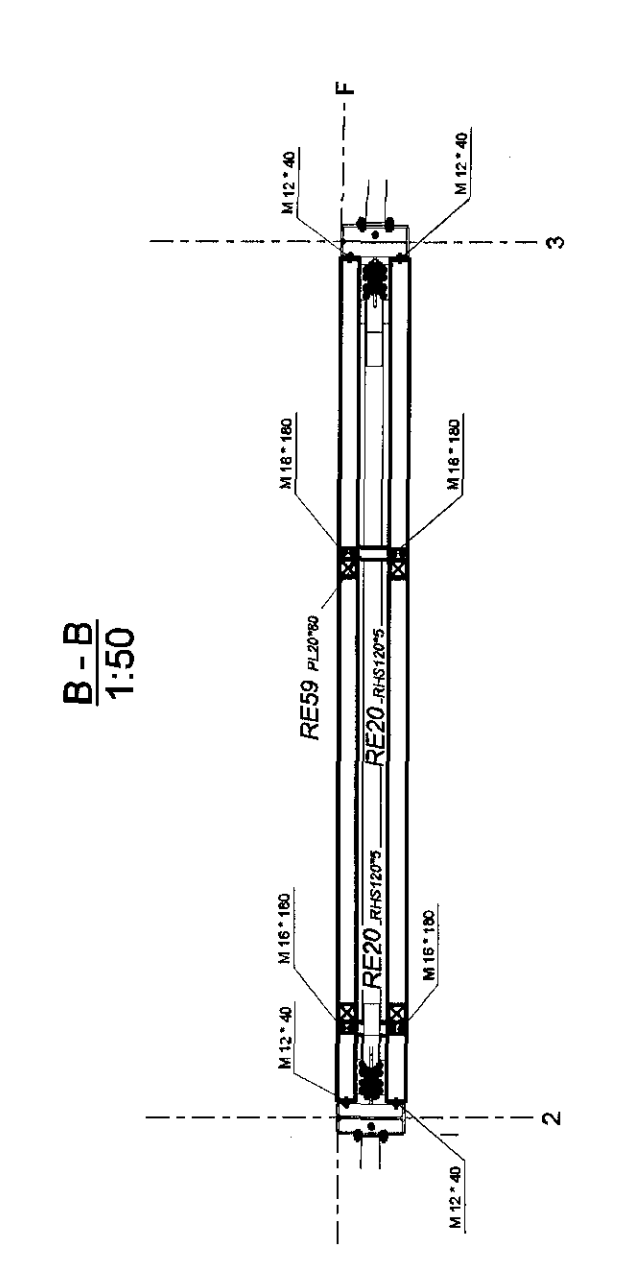
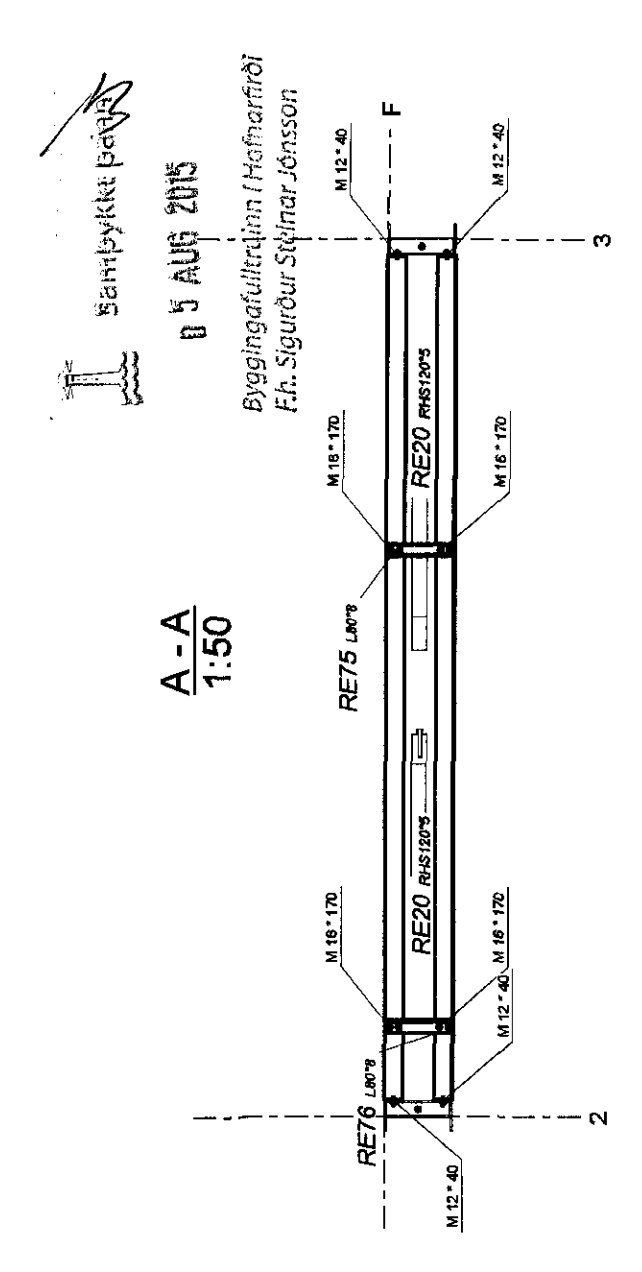
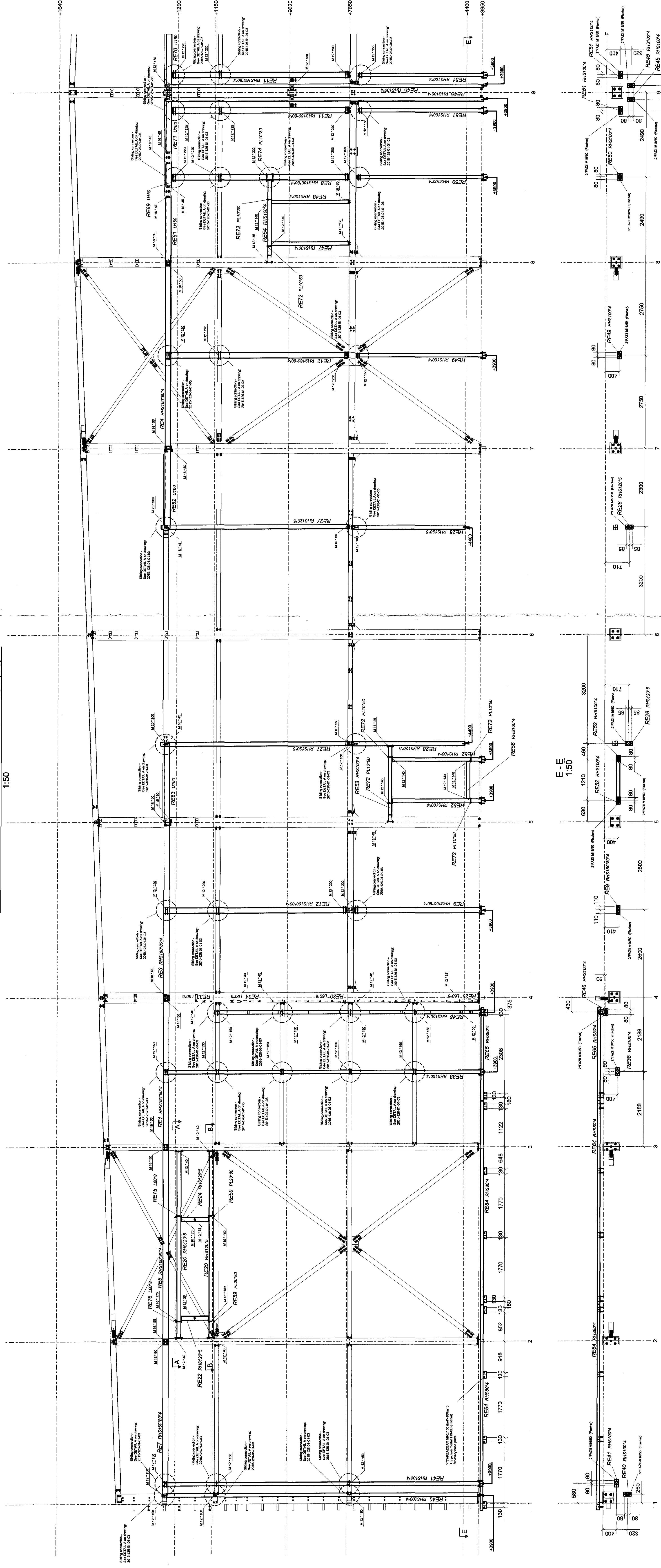
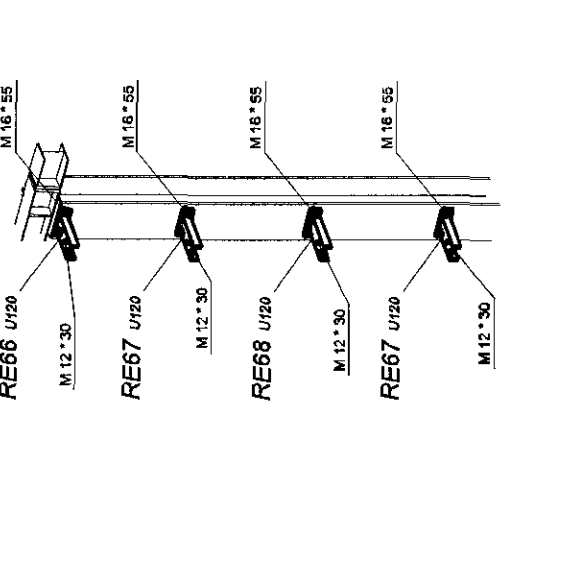


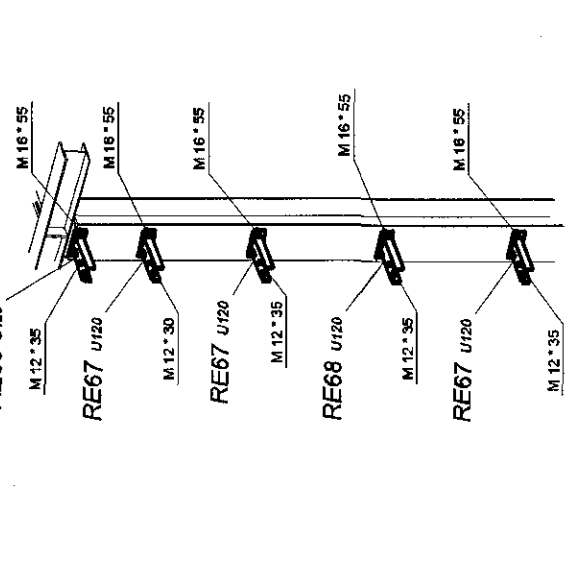
**SUBSTRUCTURE FOR HOUSING AND PANELS IN AXIS F (1-9)**  
1:50



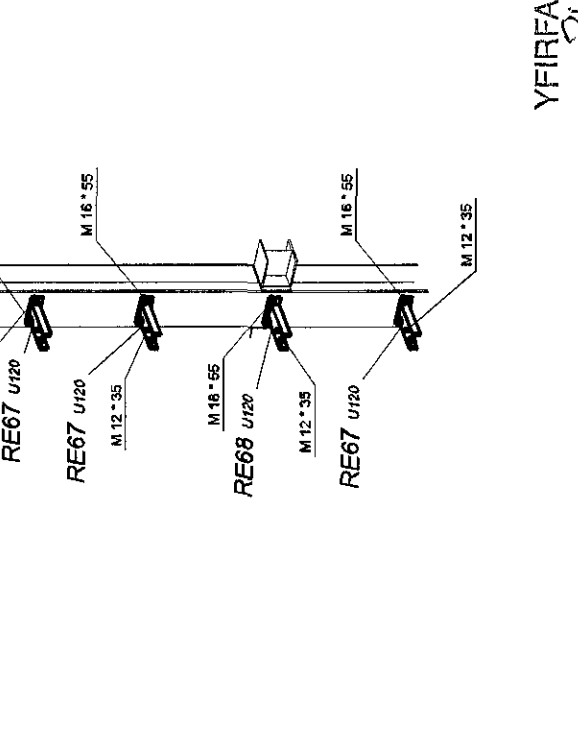
**CONSOLES FOR PURLINS IN AXIS E (4,5,13,14)**  
1:50



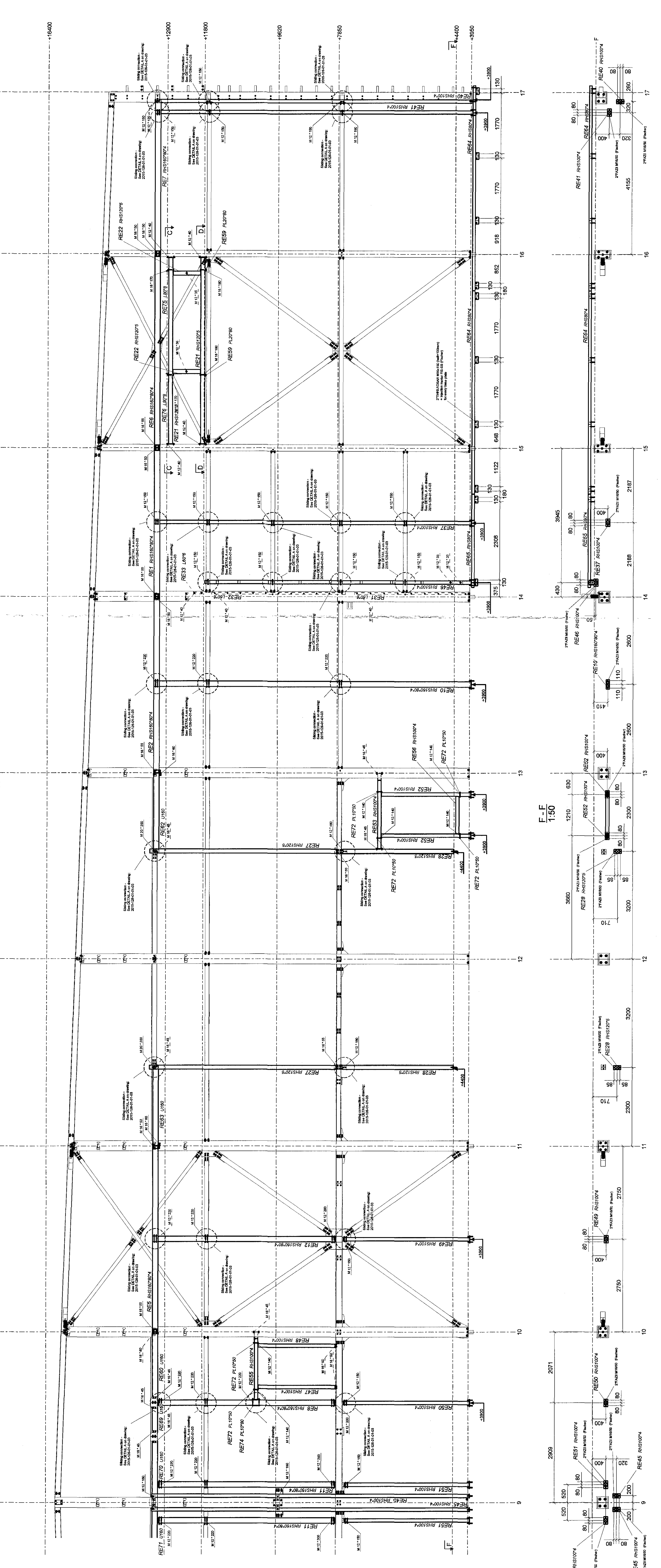
**CONSOLES FOR PURLINS IN AXIS F (6,7,8,10,11,12)**  
1:50



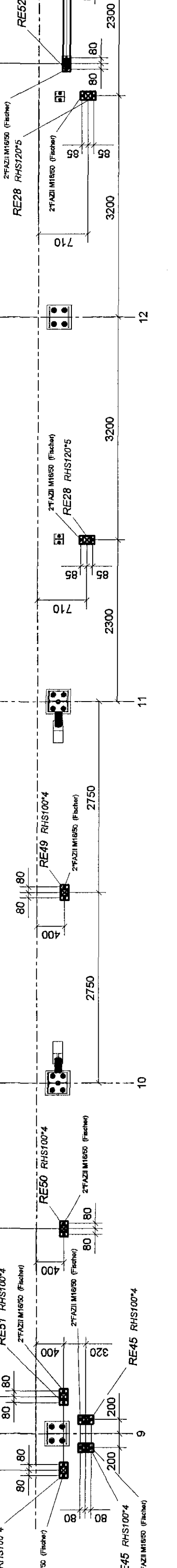
**CONSOLES FOR PURLINS IN AXIS F (9)**  
1:50



**SUBSTRUCTURE FOR HOUSING AND PANELS IN AXIS E (1-9)**  
1:50



**F-F (1:50)**



VERIFIED BY: *[Signature]*  
DATE: 2015-05-24

NO.	REVISION	DATE
1	ISSUED FOR PERMIT	2015-05-24
2	REVISION	
3	REVISION	
4	REVISION	
5	REVISION	

ENGINEERING OFFICE  
KAZEM SADEGH  
No. 48183725, 48th St. (at 10th Ave.)  
Cairo, Egypt  
Phone: 011-20-2-3343437  
Fax: 011-20-2-3343437  
E-mail: k.sadegh@ksoe.com