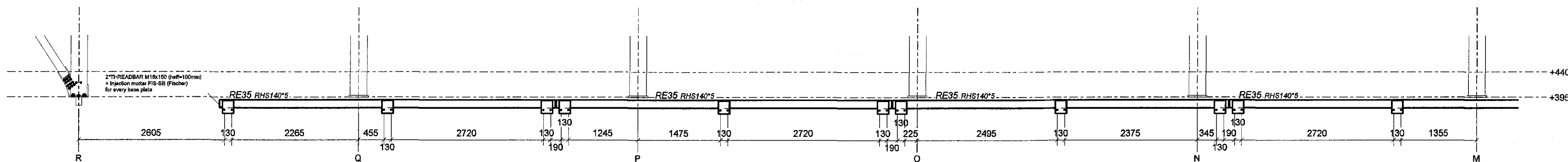
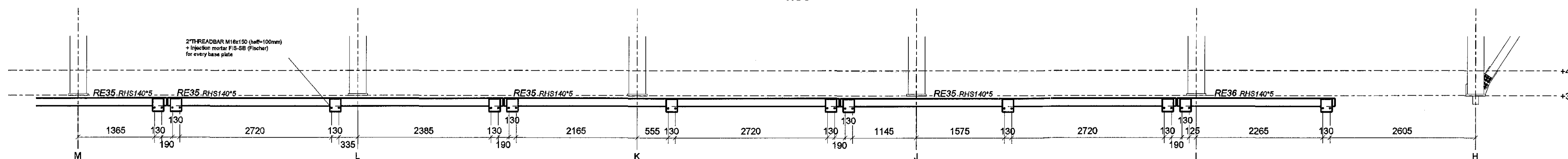


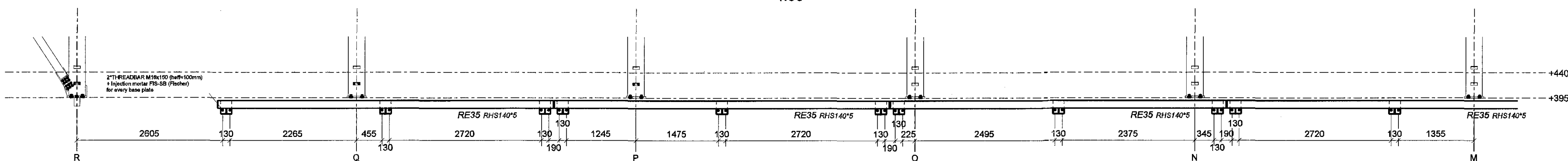
SUBSTRUCTURE FOR HOUSING IN AXIS 1 (M-R)
 1:50



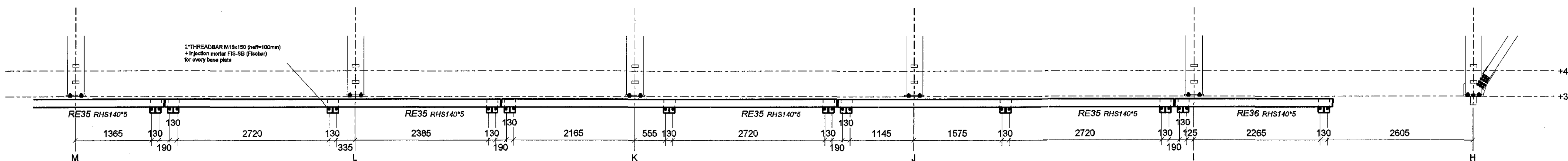
SUBSTRUCTURE FOR HOUSING IN AXIS 1 (H-M)
 1:50



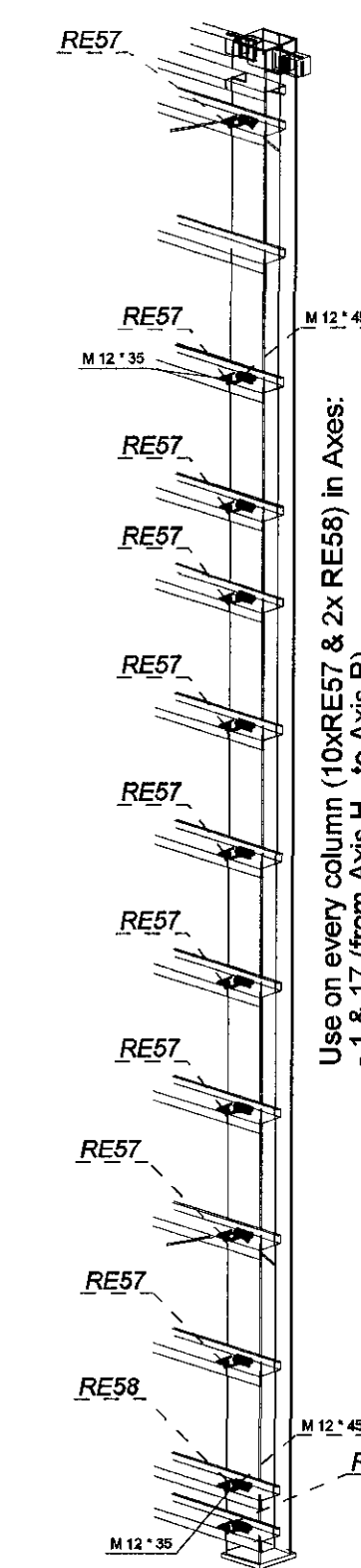
SUBSTRUCTURE FOR HOUSING IN AXIS 17 (M-R)
 1:50



SUBSTRUCTURE FOR HOUSING IN AXIS 17 (H-M)
 1:50



CONSOLES FOR PURLINS
 1:50



YFIRFARID AF VSB
 dags. 24.6. 2015
 Björn Eðvaldsson

Scale: 1:50	For all parts provide two minimum one below full scale and second below half scale	Execution acc. to EN 1090-2
Scale: 1:50	For scale level to coordinate set to vertical member (DN 85)	Execution class EXC2, tolerance class 2
Rev:	Revision description:	Date:
Author:	Drawn by:	Designed by:
Checked by:		
Designer: ENGINEERING OFFICE KOZLOWSKI-PROJEKT Zawalny Czarnego Square 4/07, 70-212 Szczecin, Poland tel. +48 91 852 21 32, e-mail: biuro@kozowski-projekt.com		
Project: Oseyrarbraut 22	Object: Main Building	Phase: Elements for Panels and Purlin
Drawing No: 2015-121-CA-01-34	Scale: 1:50	Form: A1