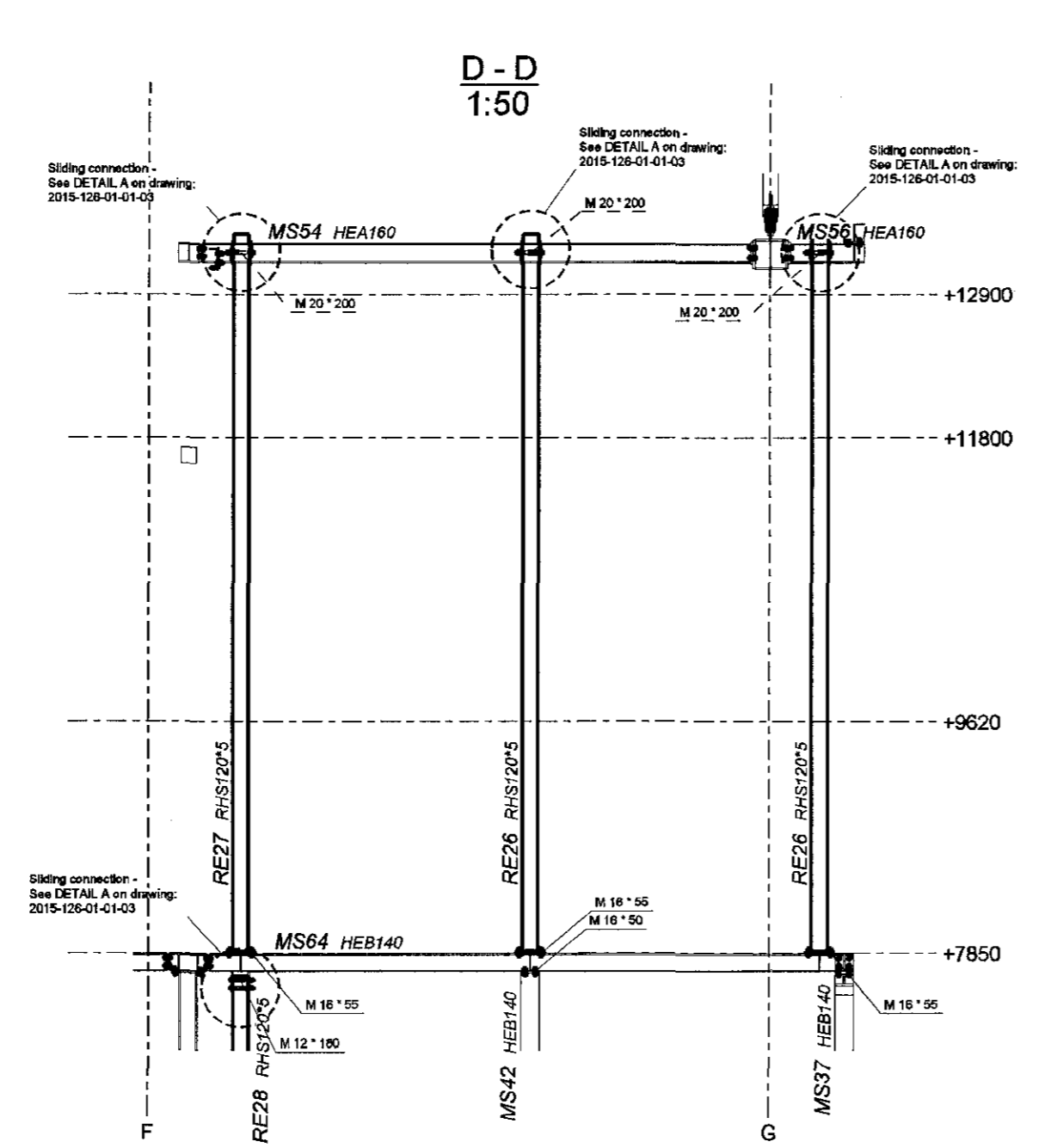
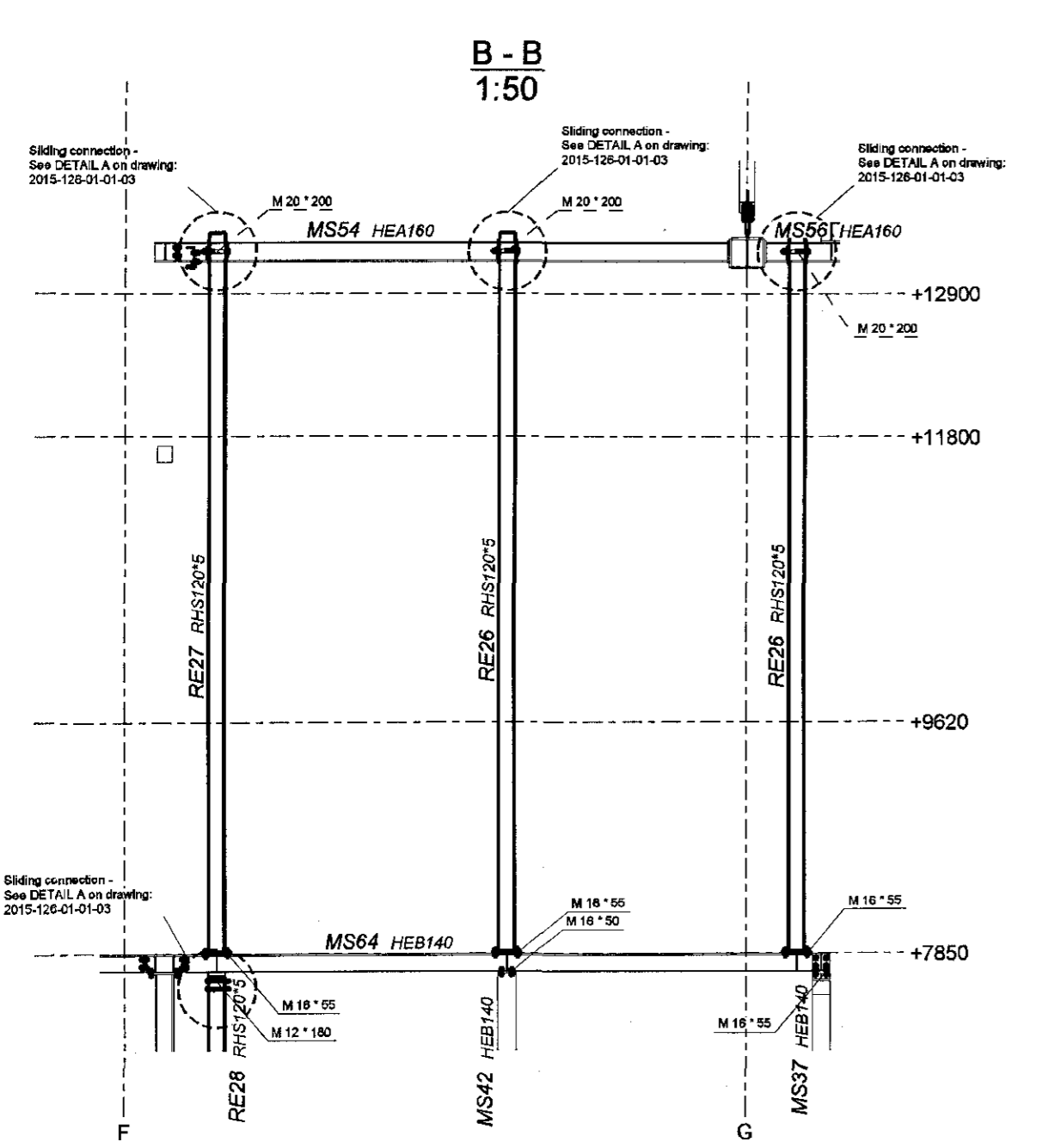
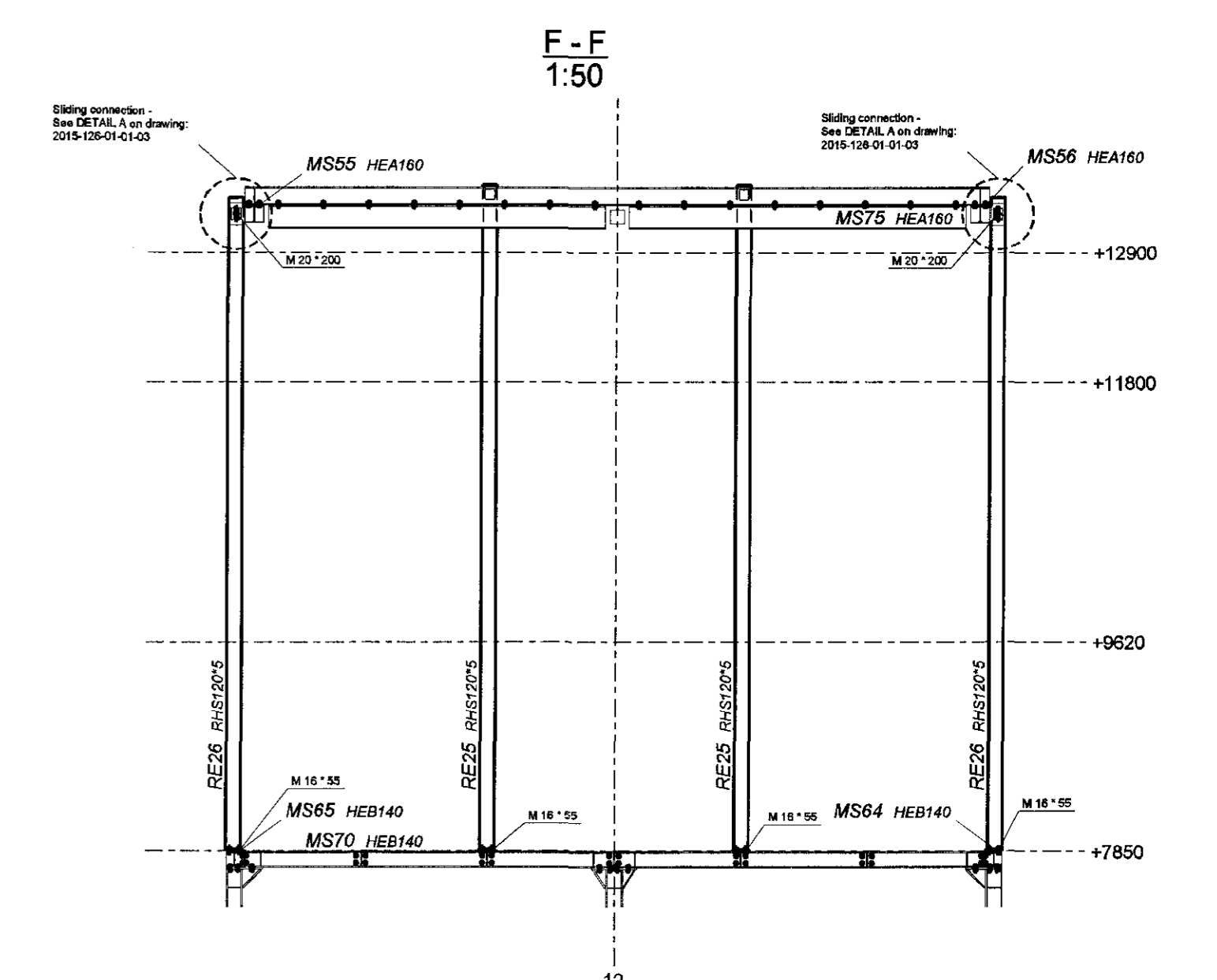
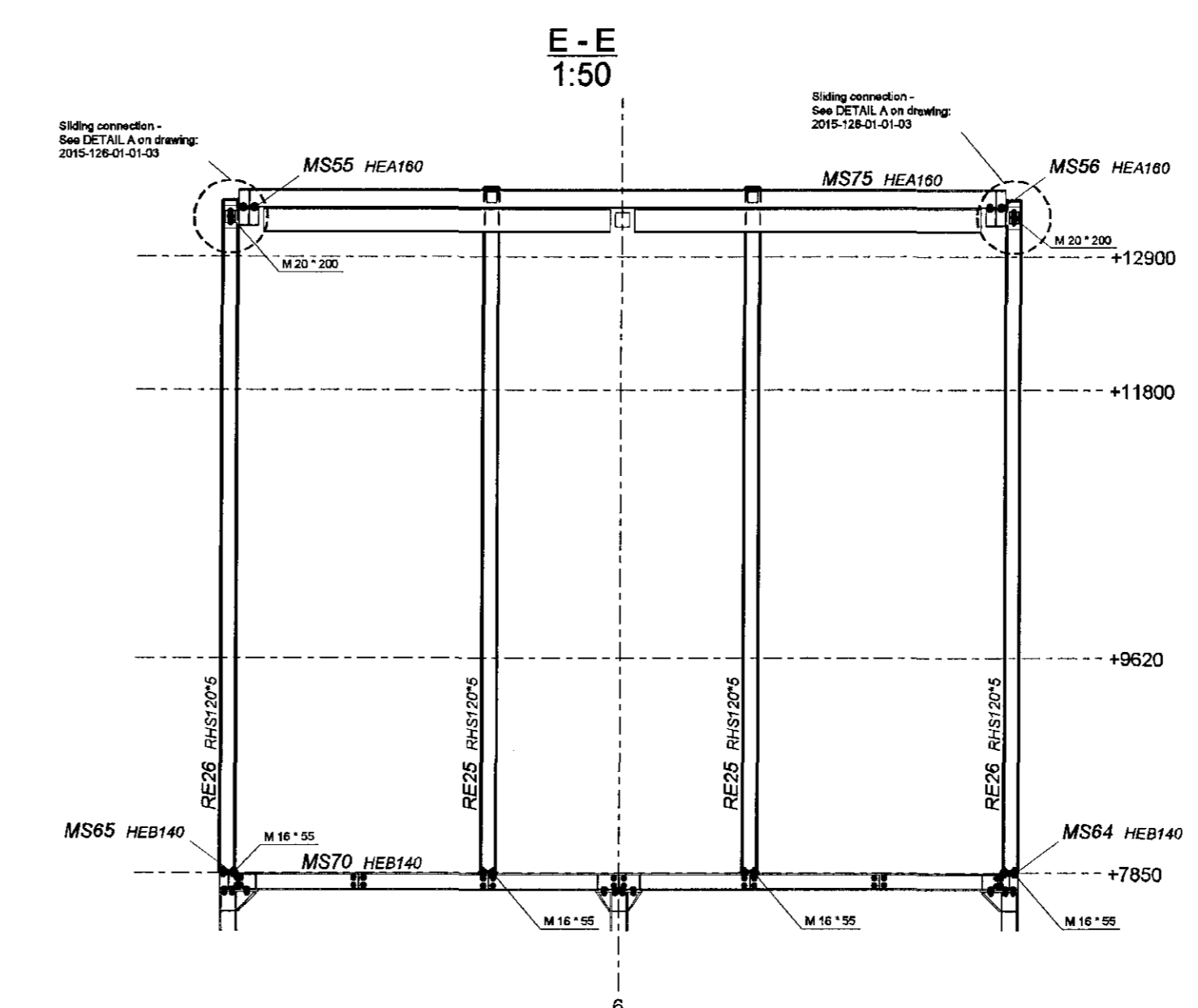
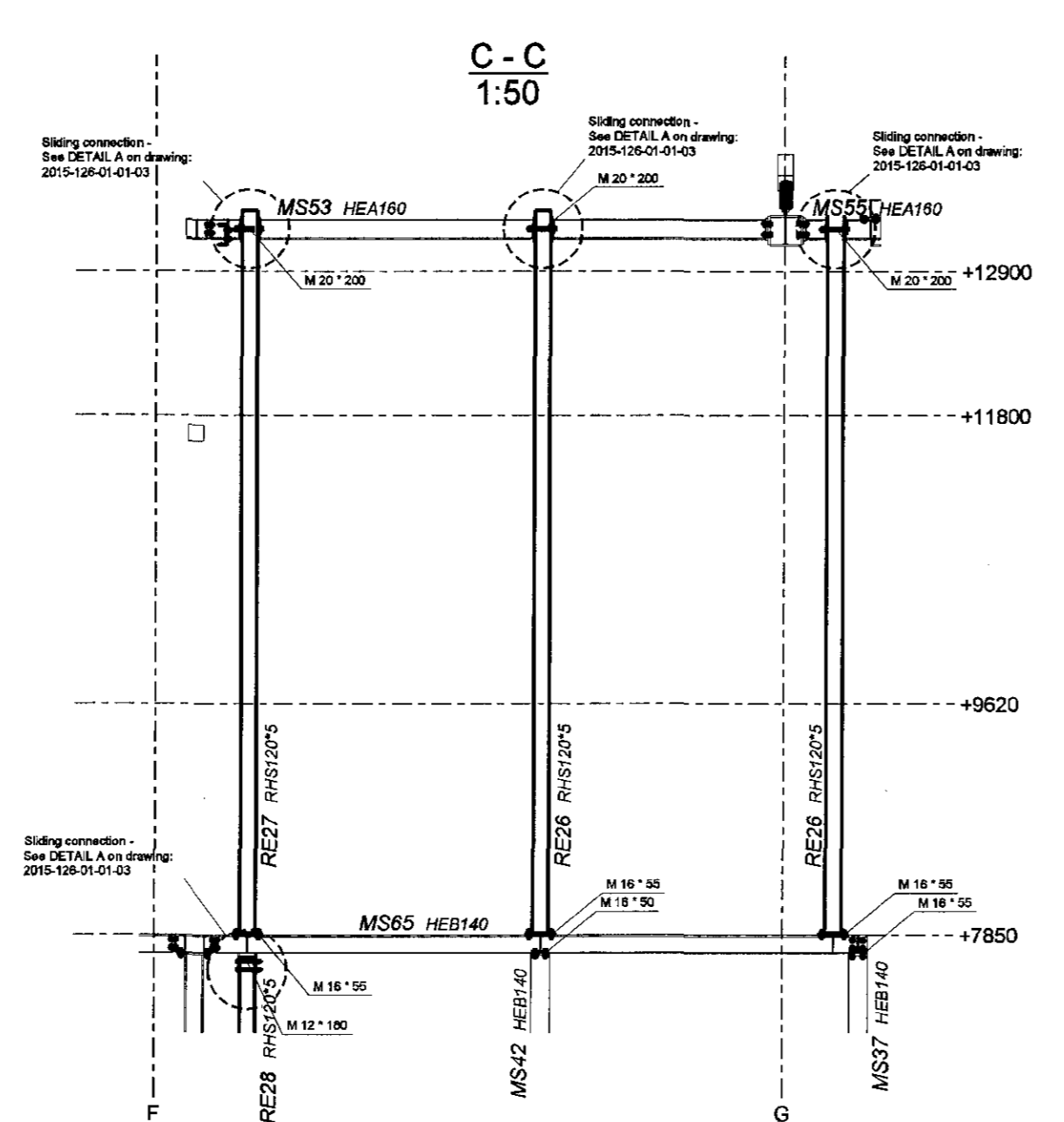
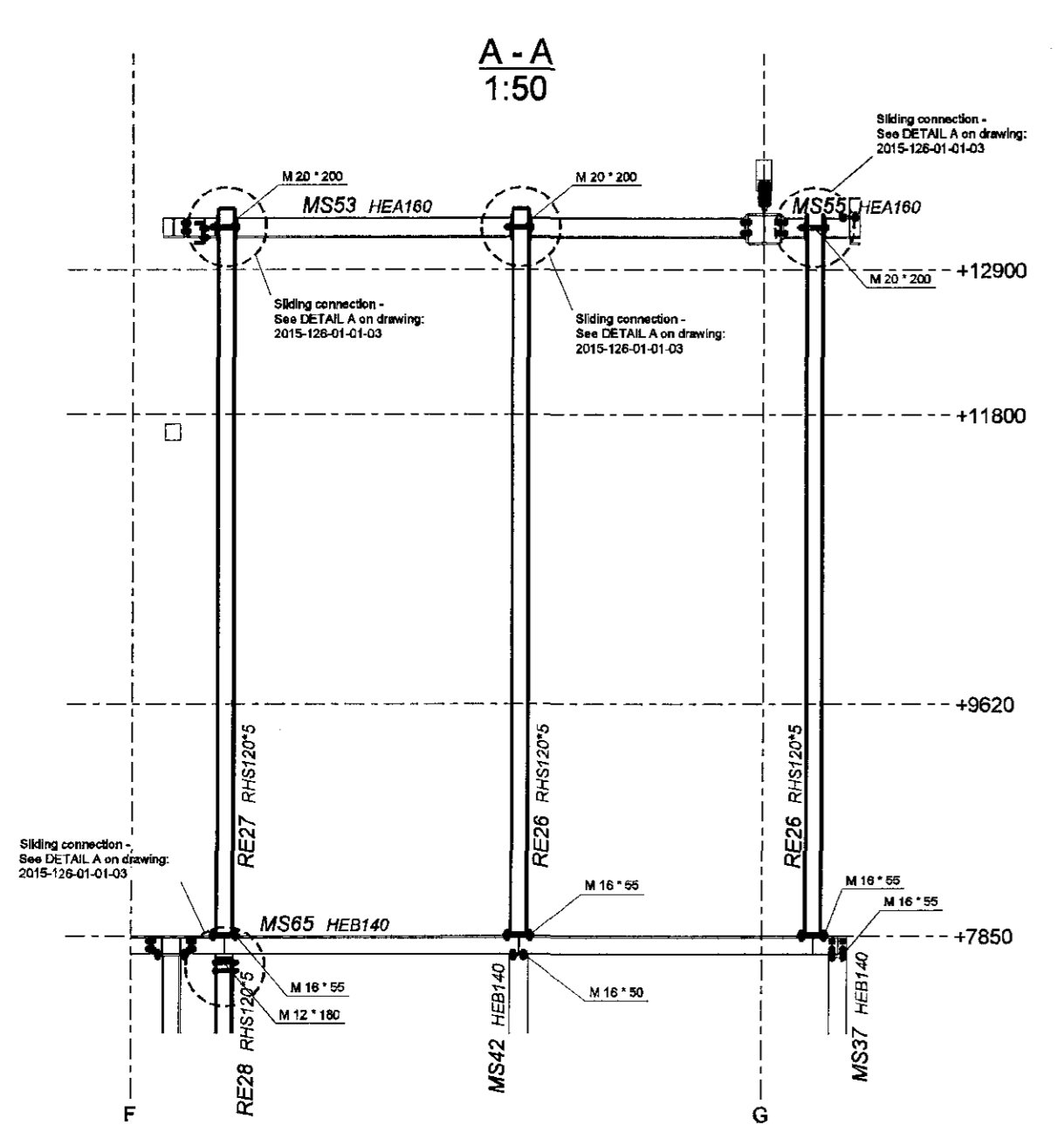
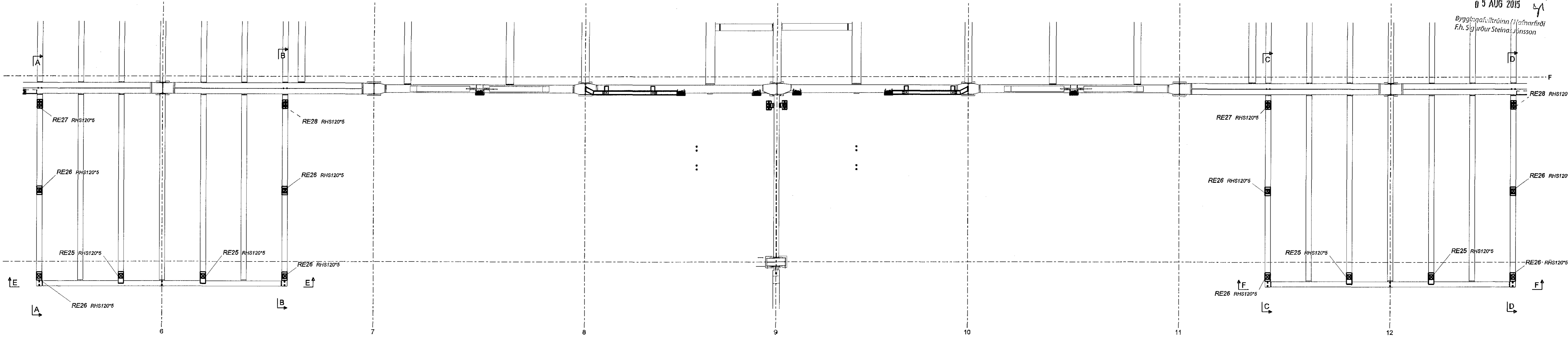


ELEMENTS FOR PANELS ABOVE THE SLUICE  
1:50

Sampylkkt barn  
05 AUG 2015  
Byggingafræðingur / Architect  
F.h. Siglórur Steina Jónsson



YFIRFRÍÐ AF VSB  
dags. 24. 6. 2015  
Björn Guðmússon

Dette er et teknisk tegning, der er udarbejdet i henhold til de gældende regler for teknisk tegning (DIN 476).		For all rights reserved. No part of this drawing may be reproduced without the written permission of the author.		Elevations spec. to EN 1992-2	
01	First Issue	08.06.2015	A. Chom	P. Kozłowski	J.R. Goffman
Rev.	Revision description	Date	Drawn by	Designed by	Checked by
Supplier	CEDRUS EHF.		Mistral 20, 800 Salford, Iceland		
Designer	I ENGINEERING OFFICE KOZŁOWSKI-PROJEKT		Zemlany Czarnego Square 44-47, 70-212 Szczecin, Poland tel. +48 91 882 21 32, e-mail: biuro@kozowski-projekt.com		
Project	Ceýrarbraut 22	Object	Main Building	Phase	Elements for Panels and Purlin
Drawing No.	0101-01-01-01-01	Scale	1:50	Rev.	01
Drawing Title	Elements for Panels and Purlin				