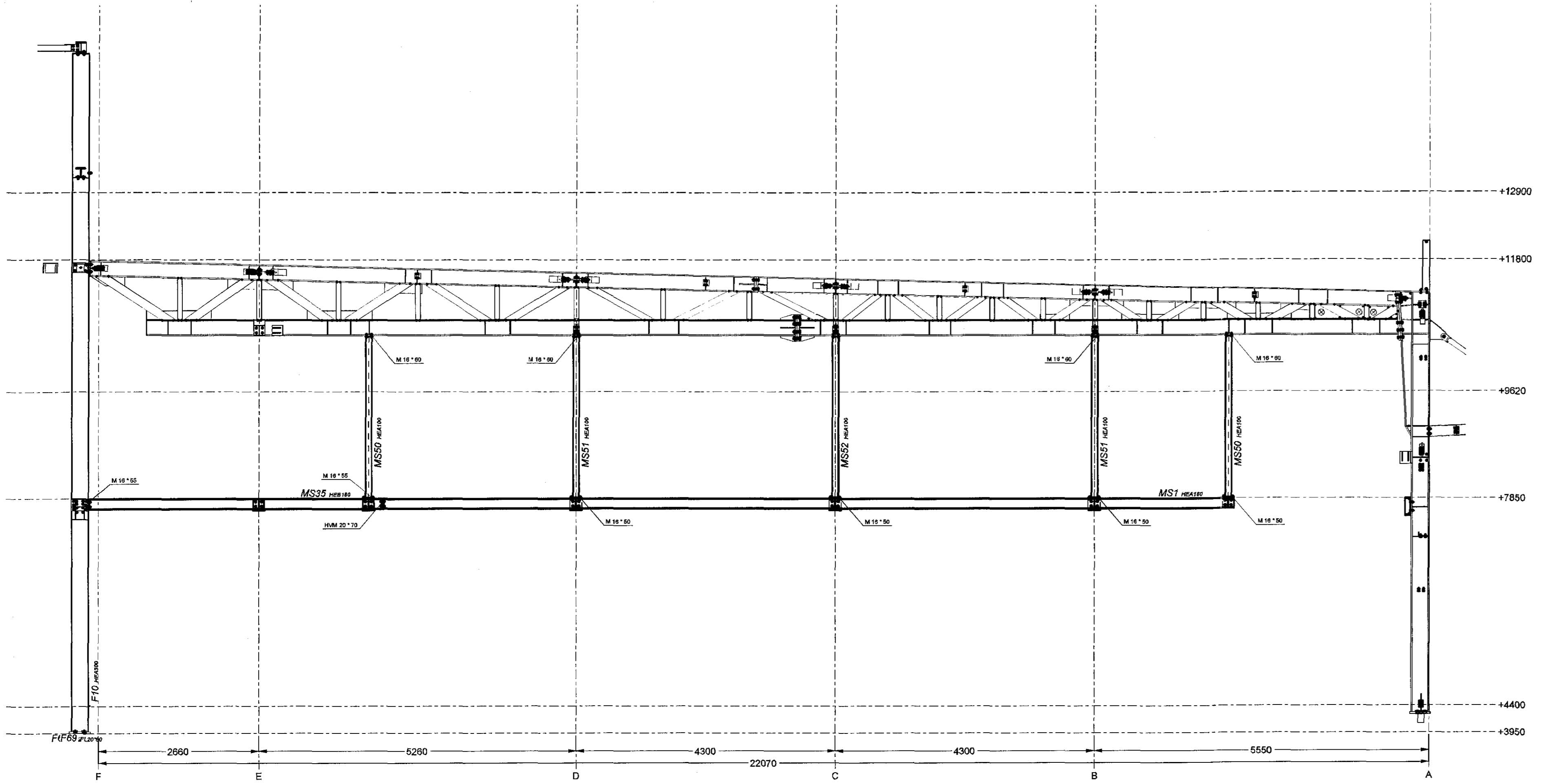
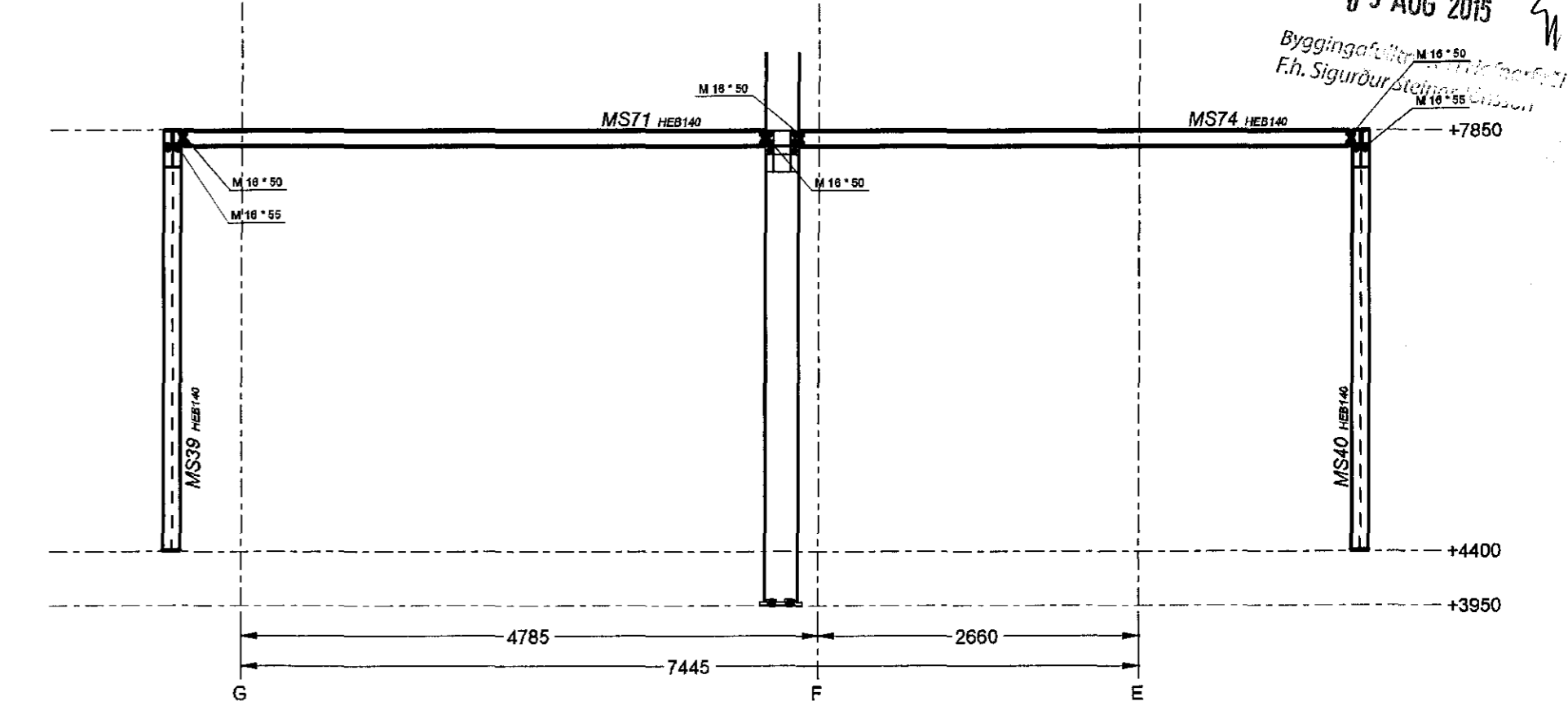


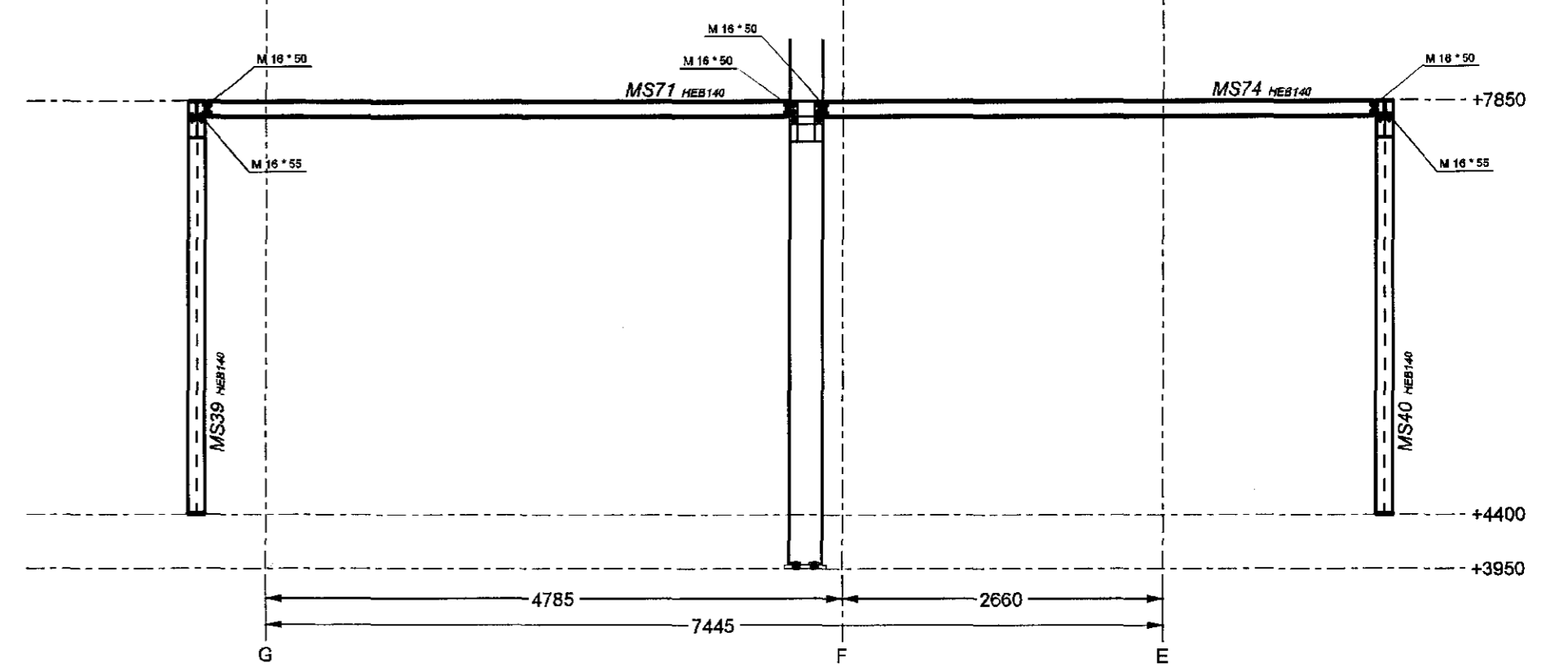
AXIS 5
1:50



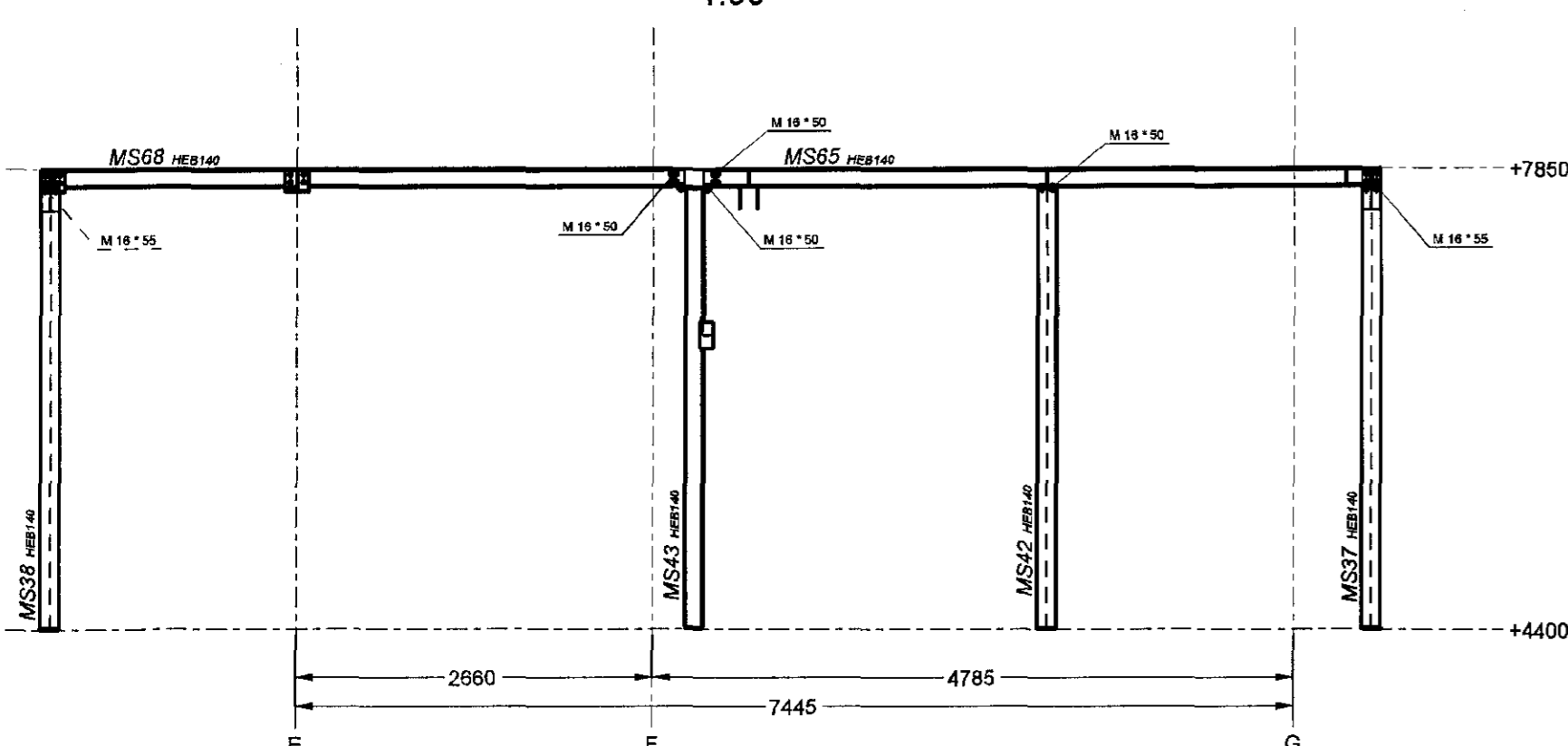
AXIS 6
1:50



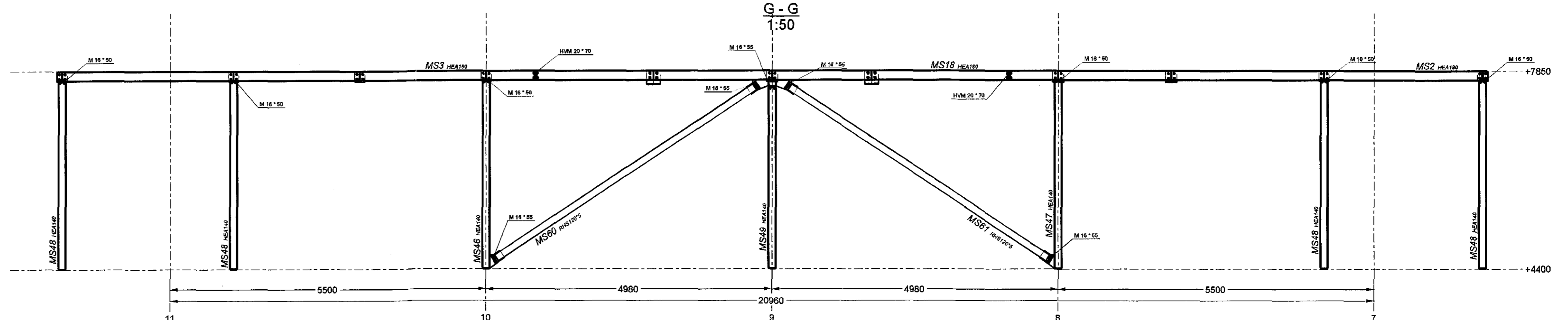
AXIS 12
1:50



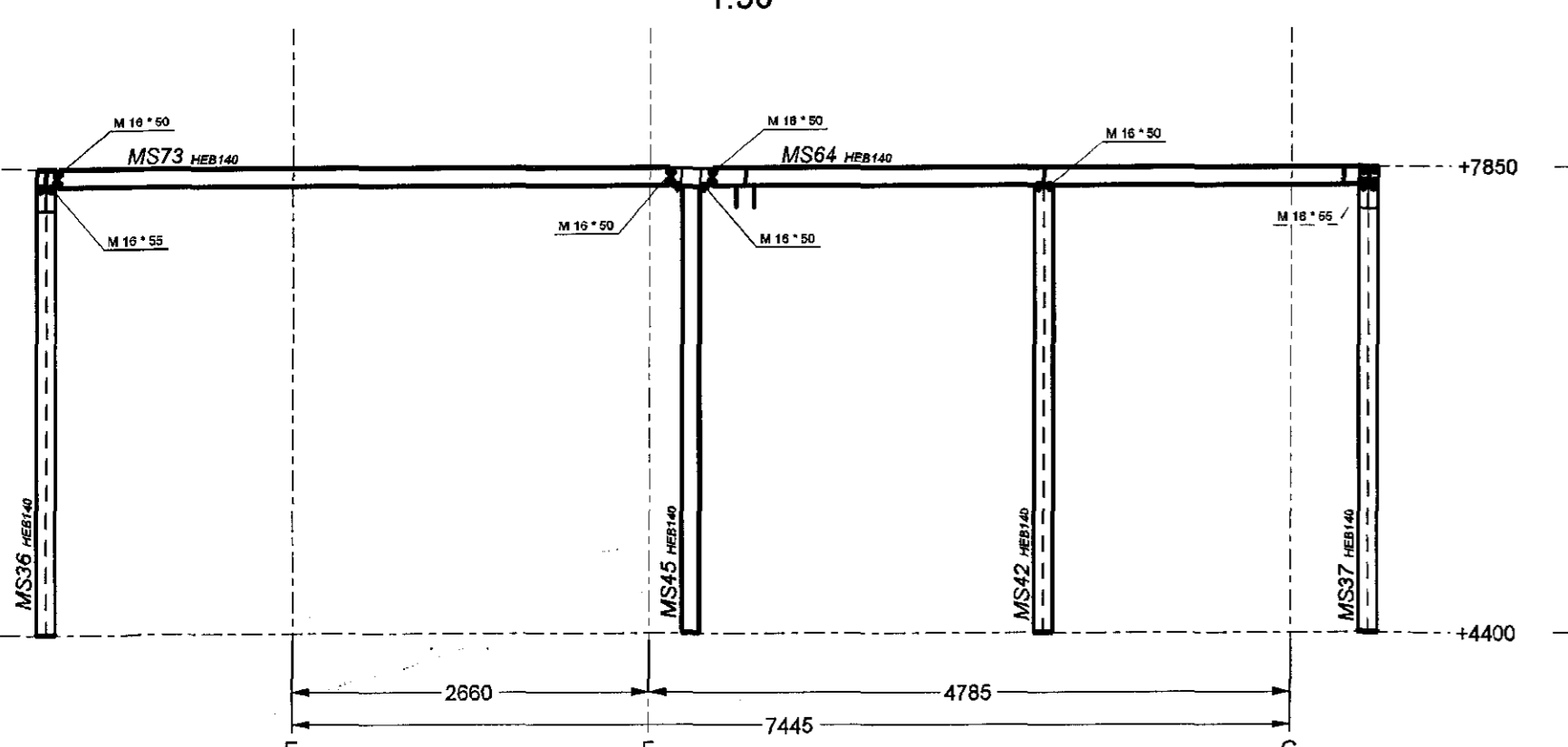
C - C
1:50



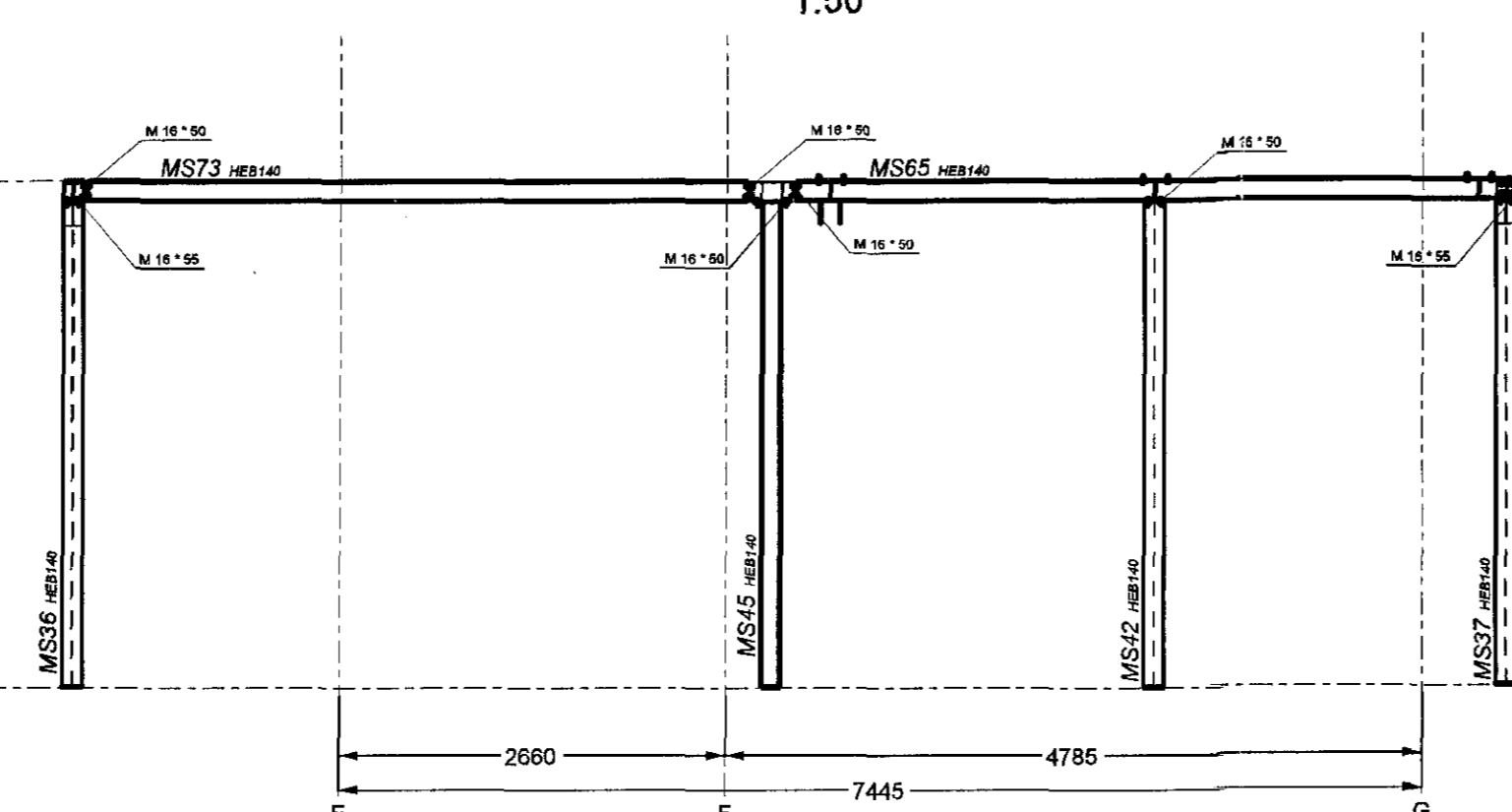
G - G
1:50



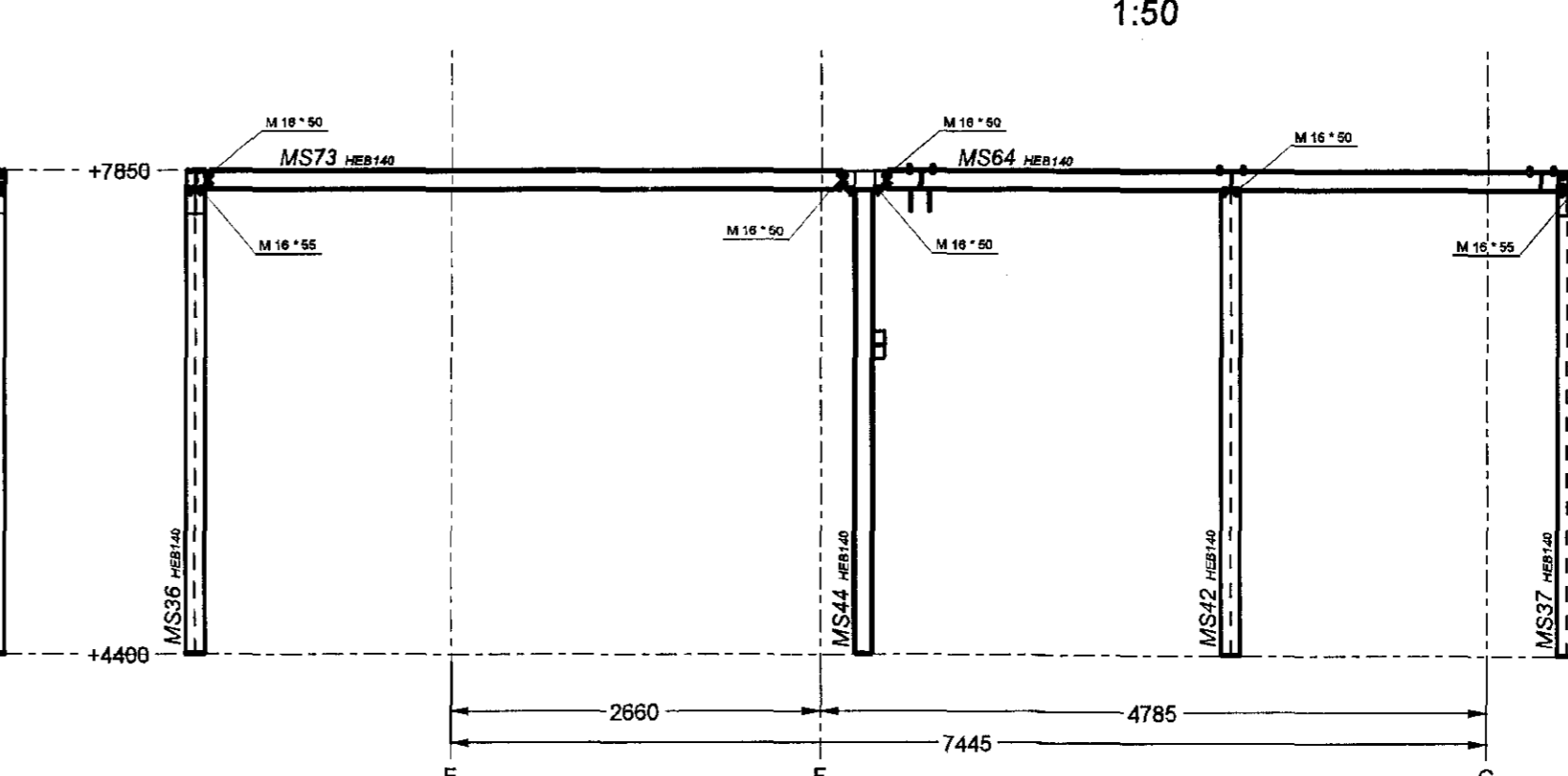
D - D
1:50



E - E
1:50



F - F
1:50



FOR SECTIONS: C-C, D-D, E-E, F-F, G-G
SEE DRAWING: 2015-126-05-01-04

Scale: 1:50 (A1, A2, A3) or 1:100 (A4, A5) - for general use		For all bolts, provide two washers, one being 50% thicker than second bolt's nut		Execution acc. to EN 10002	
Scale: 1:100 (A1, A2, A3) or 1:200 (A4, A5) - for general use		For bolts used in 3-profiles and in 4-profiles (EN 10204)		Execution class EN 10204	
Obj:	Project:	Date:	Drawn by:	Designed by:	Checked by:
Obj:	Project:	Date:	Drawn by:	Designed by:	Checked by:
Supplier: CEDRUS EHF.			Miodusz 20, 800 Sołecznica, Poland		
Design: ENGINEERING OFFICE KOZŁOWSKI-PROJEKT			Zawrzy Czarnego Spółka 4A7, 70-212 Szczecin, Poland		
Project: Oseyratrakul 22			Phase: Main & Lower Building		
Drawing No.: 2015-126-05-01-05			Rev.: 00		
Drawing Title: General Arrangement - Axes: 5, 6, 12			Format: A1		

YIFREARID AF VSB
dags. 24/6 2015
B6
Byggnads- och
F.h. Sigurdur