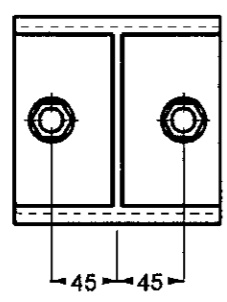
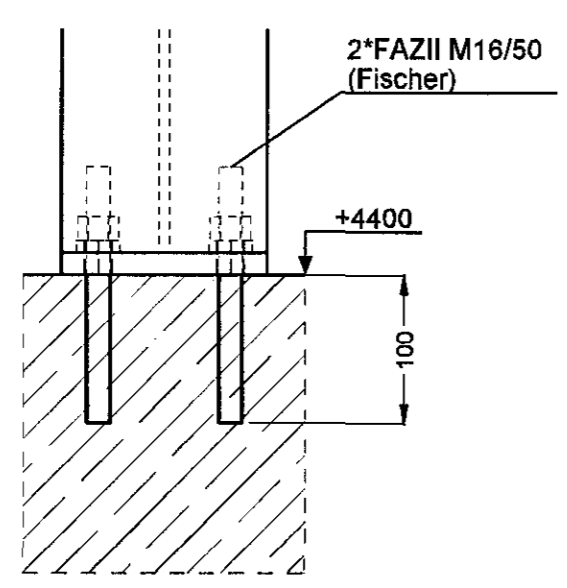
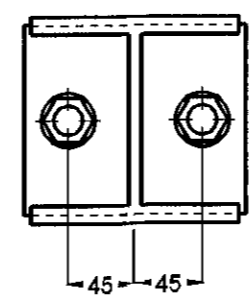
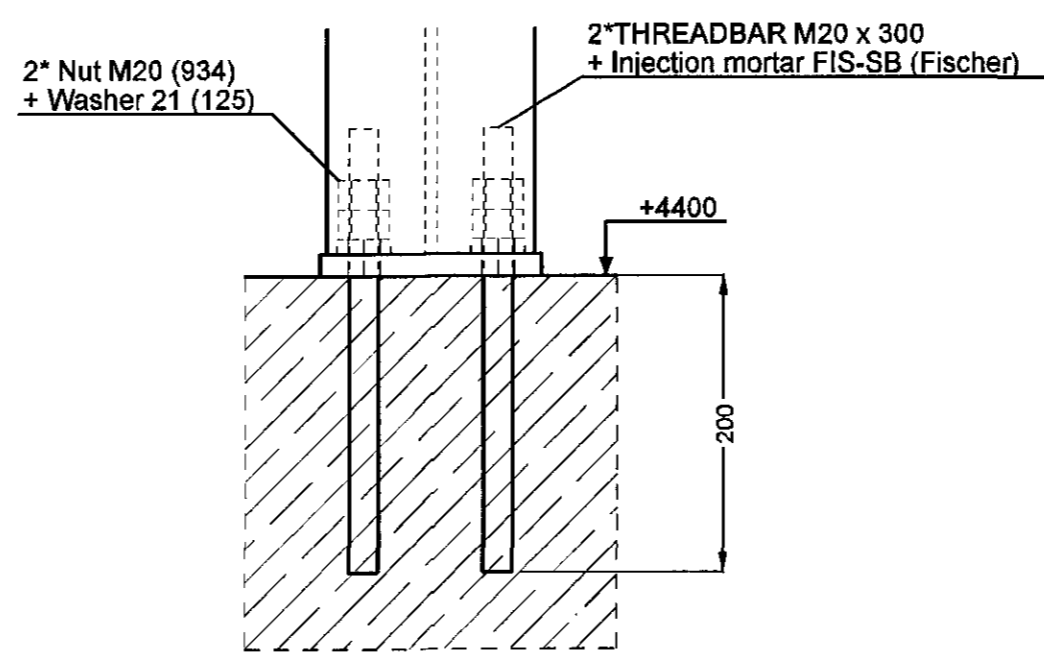


DETAIL A
 Scale: 1:5



DETAIL B
 Scale: 1:5



YFIRFARIÐ AF VSB
 dags. 24.6. 2015

Björn Þórunn
 Björn Gústafsson

Bolts: M - class 8.8, DIN 931 or DIN 934 - fire galvanized		For all bolts provide two washers, one below bolt head, second below nut		Execution acc. to EN 1090-2	
Bolts: HVM - class 10.9, DIN 6914 - fire galvanized		For bolts fixed to C-profiles set up wedge washer (DIN 434)		Execution class EXC2. Tolerances class 2	
00	First issue	08.08.2015	A. Choros	P. Kozłowski	G.R. Gyllason
Rev.:	Revision description:	Date:	Drawn by:	Designed by:	Checked by:
Supplier: CEDRUS EHF.		Mikunni 20, 600 Selfoss, Iceland			
Designer: ENGINEERING OFFICE KOZŁOWSKI-PROJEKT		Zawiszy Czarnego Square 4A/7, 70-212 Szczecin, Poland			
Project: Oseyrarbraut 22		Object: Main & Lower Building		Phase: Mezzanine & Sluice	
Drawing title: General Arrangement - Ground Floor View		Drawing No.: 2015-126-05-01-03		Rev.: 00	Scale: A2