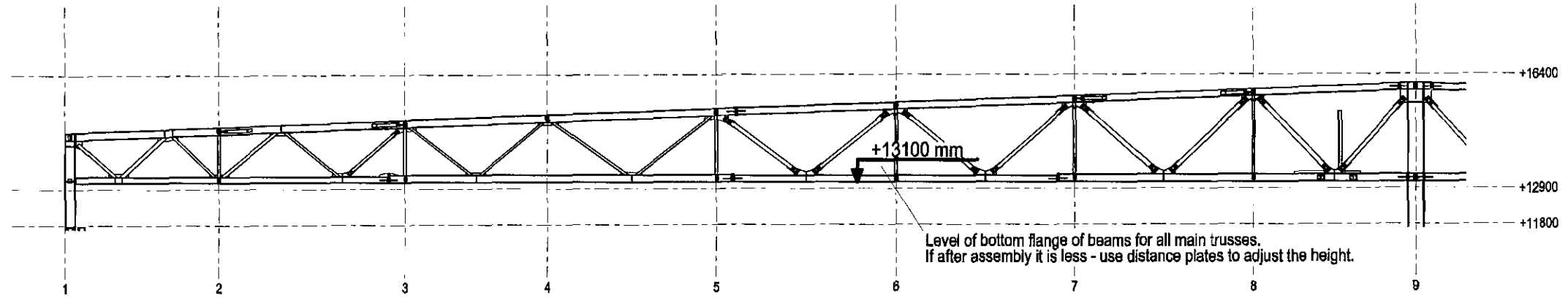
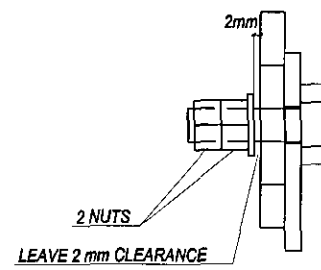


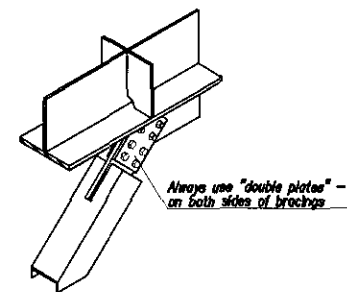
TRUSSES IN MAIN BUILDING AFTER ASSEMBLY



**DETAIL A
SLIDING CONNECTION**



**DETAIL B
PLATES IN CHS/RHS
BRACING CONNECTIONS**



Björn Gylfason
 2015.07.24
 YFIRFARID AF VSB

Bolts: M - class 8.8, DIN 931 or DIN 933 - fire galvanized Bolts: HV/M - class 10.9, DIN 6914 - fire galvanized		For all bolts predict two washers, one below bolt head, second below nut For bolts fixed to C-profiles set up wedge washer (DIN 434)		Execution acc. to EN 1090-2 Execution class EXC2. Tolerances class 2	
00	First issue	02.06.2015	A. Choros	P. Kozłowski	G.R. Gylfason
Rev.:	Revision description:	Date:	Drawn by:	Designed by:	Checked by:
Supplier: CEDRUS EHF.		Míktunil 20, 800 Selfoss, Iceland			
Designer: I ENGINEERING OFFICE KOZŁOWSKI-PROJEKT		Zawiszy Czarnego Square 4A/7, 70-212 Szczecin, Poland tel. +48 91 852 21 32, e-mail: biuro@kozowskiprojekt.com			
Project: Oseyrarbraut 22	Object: Main Building	Phase: Main Structures			
Drawing title: General Arrangement - General Details		Drawing No.: 2015-126-01-01-03	Rev.: 00	Scale: ---	Format: A3