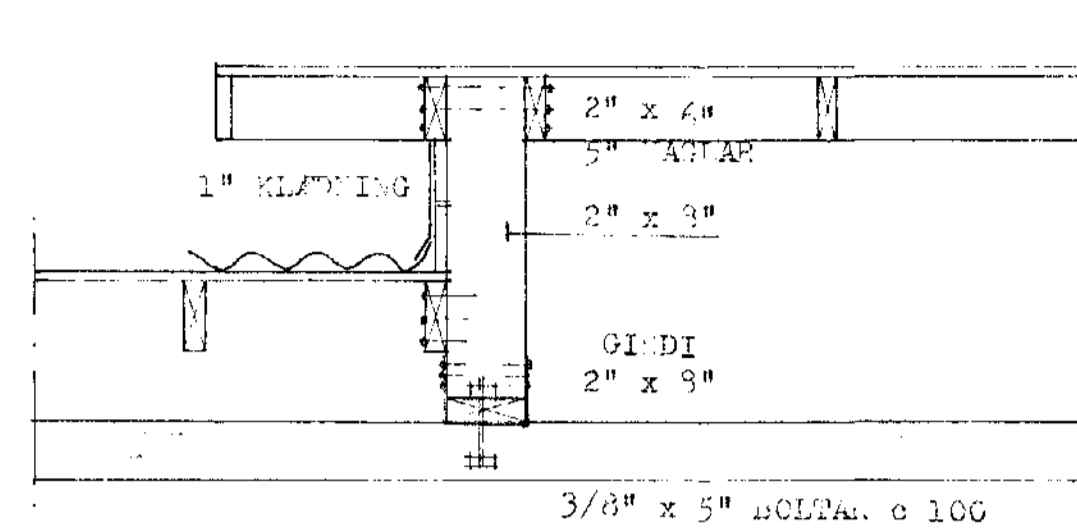
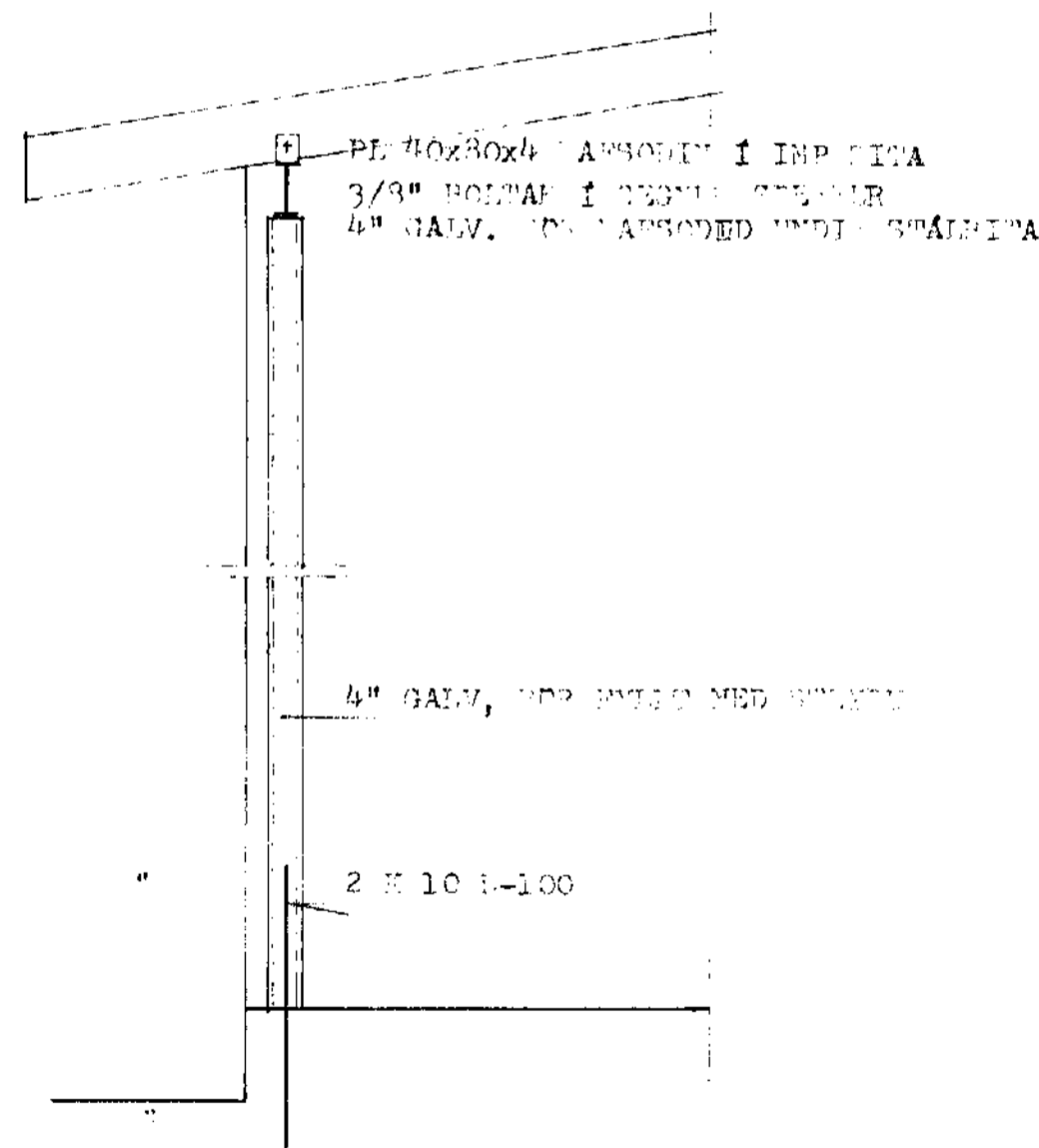


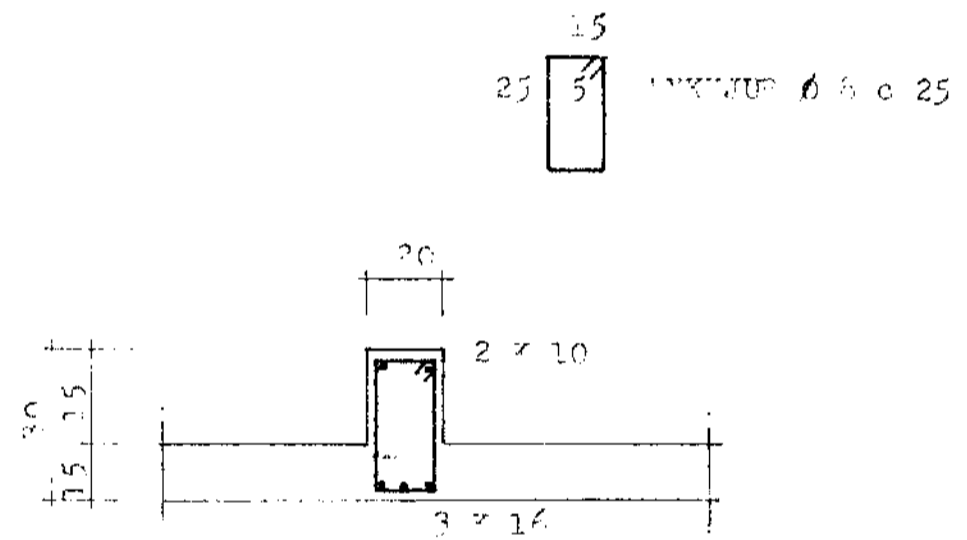
SNID - B 1:20



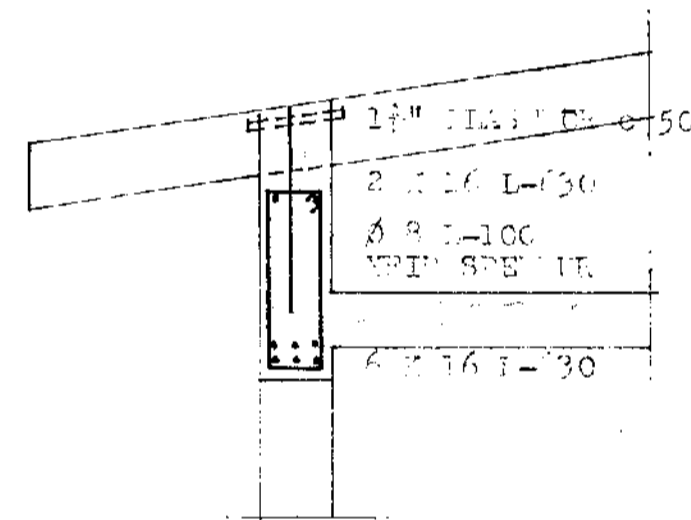
SNID - C 1:20



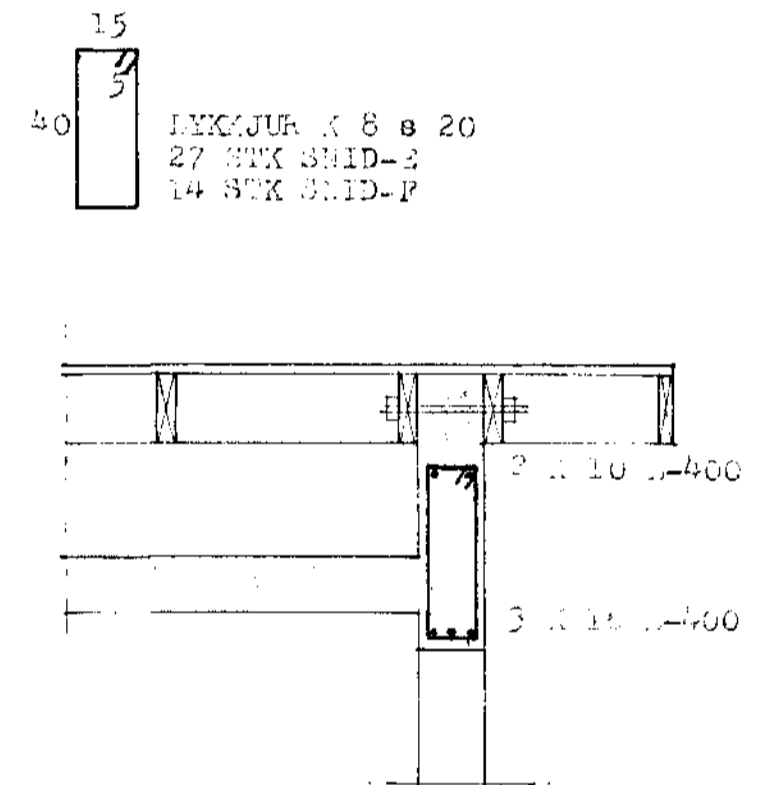
SNID - D 1:20



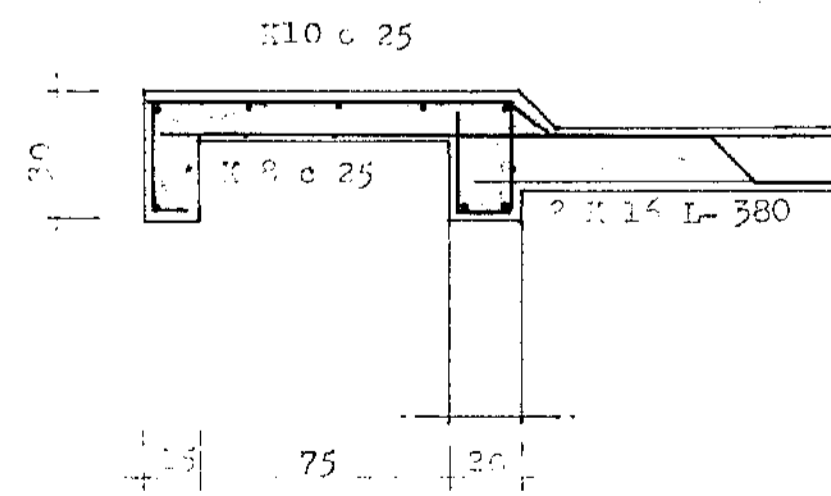
SNID - E 1:20



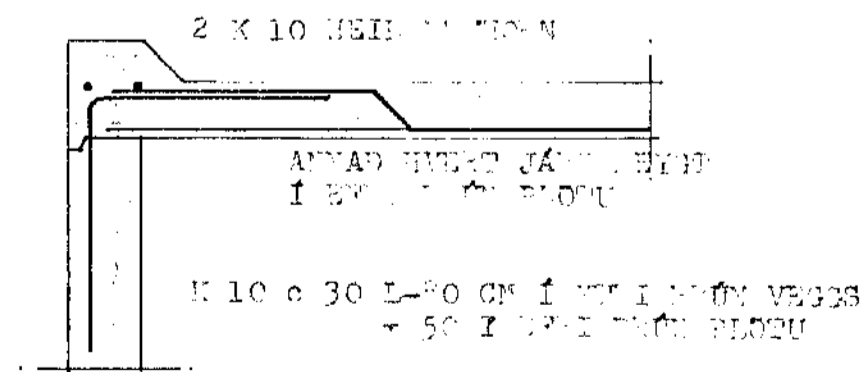
SNID - F 1:20



SNID - G 1:20



SNID - H 1:20



SNID - I 1:20

REVISI		
REVISI NO. 1		
REVISI NO. 2		
REVISI NO. 3		
REVISI NO. 4		
REVISI NO. 5		
REVISI NO. 6		
REVISI NO. 7		
REVISI NO. 8		
REVISI NO. 9		
REVISI NO. 10		
REVISI NO. 11		
REVISI NO. 12		
REVISI NO. 13		
REVISI NO. 14		
REVISI NO. 15		
REVISI NO. 16		
REVISI NO. 17		
REVISI NO. 18		
REVISI NO. 19		
REVISI NO. 20		
REVISI NO. 21		
REVISI NO. 22		
REVISI NO. 23		
REVISI NO. 24		
REVISI NO. 25		
REVISI NO. 26		
REVISI NO. 27		
REVISI NO. 28		
REVISI NO. 29		
REVISI NO. 30		
REVISI NO. 31		
REVISI NO. 32		
REVISI NO. 33		
REVISI NO. 34		
REVISI NO. 35		
REVISI NO. 36		
REVISI NO. 37		
REVISI NO. 38		
REVISI NO. 39		
REVISI NO. 40		
REVISI NO. 41		
REVISI NO. 42		
REVISI NO. 43		
REVISI NO. 44		
REVISI NO. 45		
REVISI NO. 46		
REVISI NO. 47		
REVISI NO. 48		
REVISI NO. 49		
REVISI NO. 50		
REVISI NO. 51		
REVISI NO. 52		
REVISI NO. 53		
REVISI NO. 54		
REVISI NO. 55		
REVISI NO. 56		
REVISI NO. 57		
REVISI NO. 58		
REVISI NO. 59		
REVISI NO. 60		
REVISI NO. 61		
REVISI NO. 62		
REVISI NO. 63		
REVISI NO. 64		
REVISI NO. 65		
REVISI NO. 66		
REVISI NO. 67		
REVISI NO. 68		
REVISI NO. 69		
REVISI NO. 70		
REVISI NO. 71		
REVISI NO. 72		
REVISI NO. 73		
REVISI NO. 74		
REVISI NO. 75		
REVISI NO. 76		
REVISI NO. 77		
REVISI NO. 78		
REVISI NO. 79		
REVISI NO. 80		
REVISI NO. 81		
REVISI NO. 82		
REVISI NO. 83		
REVISI NO. 84		
REVISI NO. 85		
REVISI NO. 86		
REVISI NO. 87		
REVISI NO. 88		
REVISI NO. 89		
REVISI NO. 90		
REVISI NO. 91		
REVISI NO. 92		
REVISI NO. 93		
REVISI NO. 94		
REVISI NO. 95		
REVISI NO. 96		
REVISI NO. 97		
REVISI NO. 98		
REVISI NO. 99		
REVISI NO. 100		