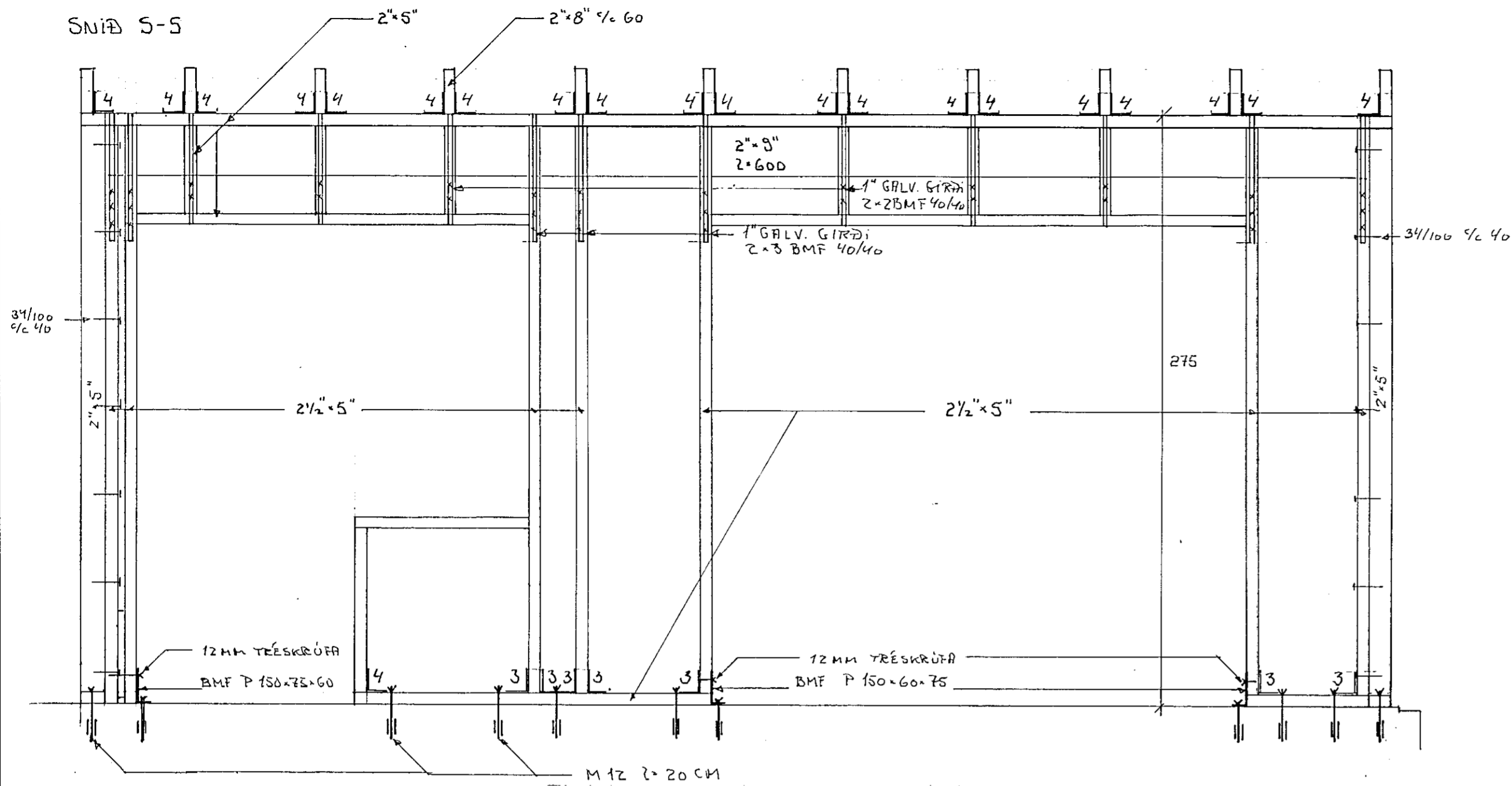
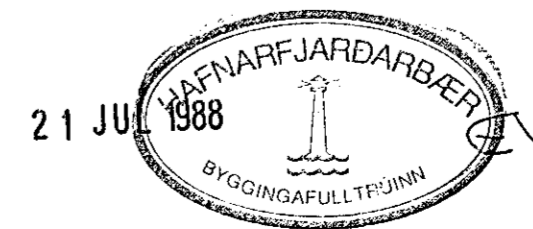
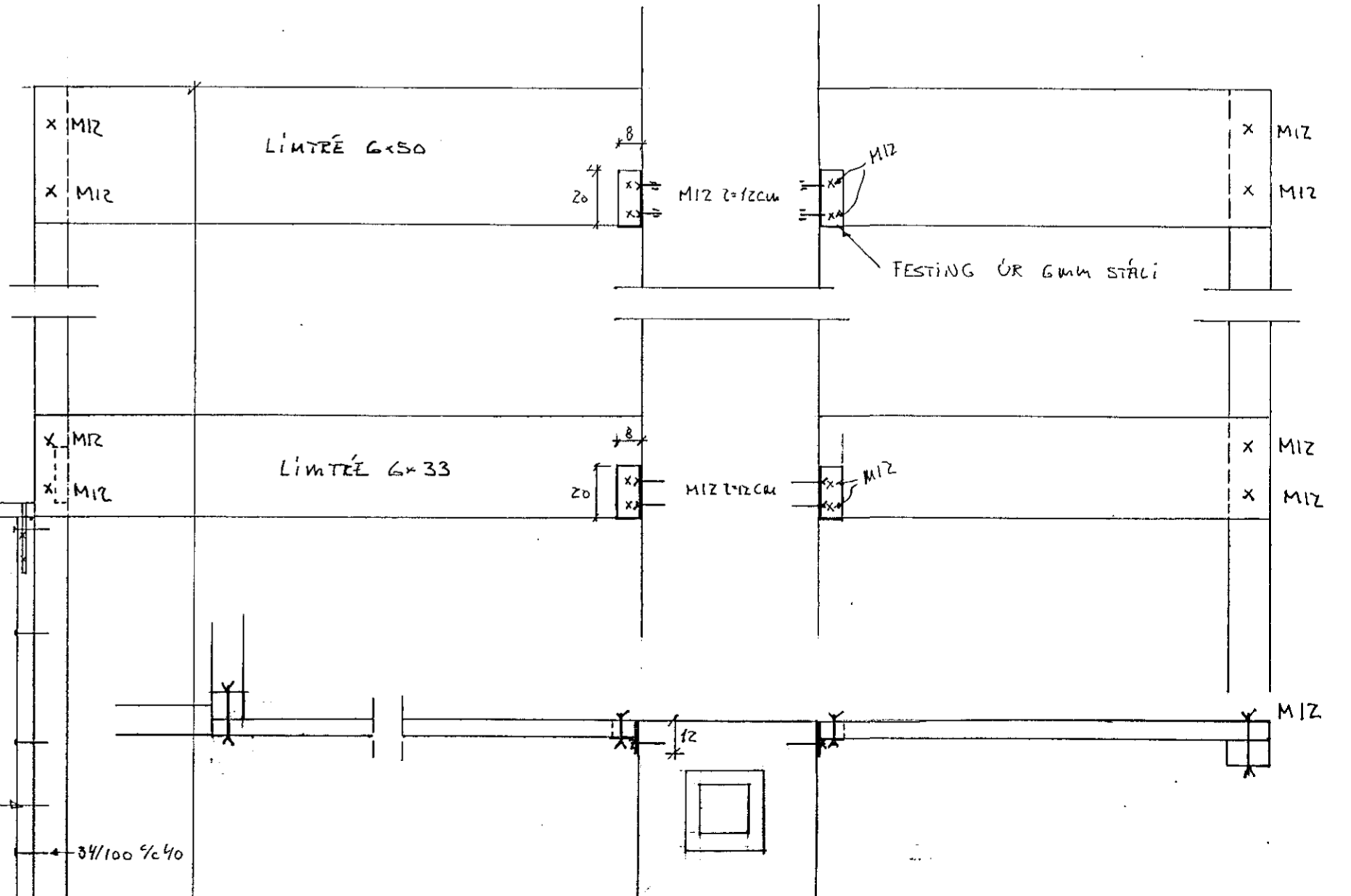
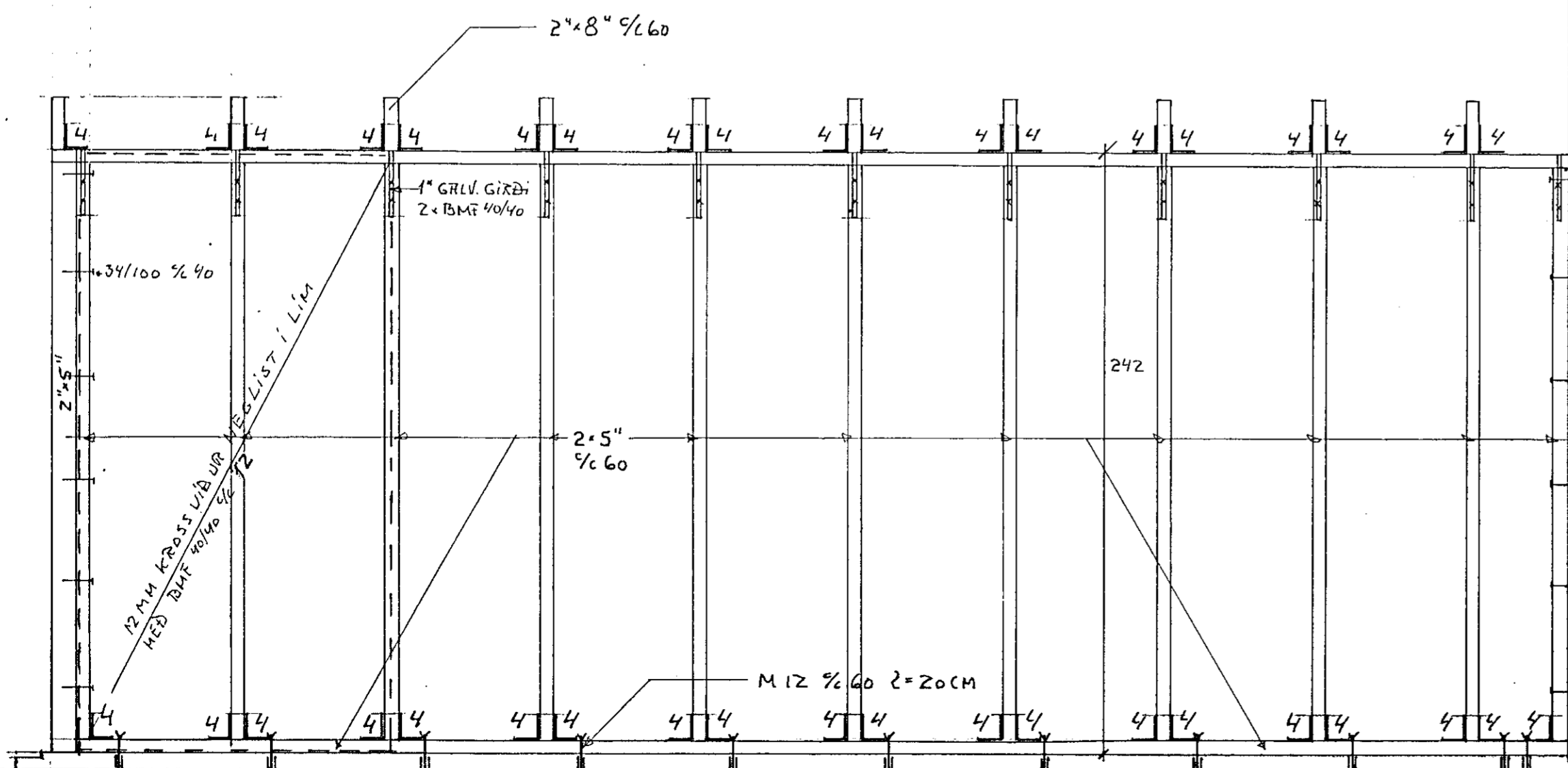


SNIB S-S



ALLT TIMBUR ER AÐ AMK. V FLOKK  
 LÍMTRÉ ER AMK T 300  
 3 BMF 90R NEGLING BMF 40/40  
 2,3,4,5,6,7,8,9/ 11,12,13,14  
 15,16,17,18,19,20  
 4 BMF 90R NEGLING BMF 40/40  
 2,4,5,6,7,9/ 11,12,14,15,16  
 17,19,20  
 LAUSHOLT 2x5" c/c 100

SNIB T-T



HOTUBERG 23		BURÐARVEGGIR
DAGS	MÁI 88	
M	1:20	
Stefi Arnósson		TEKNIFR. 3.78504