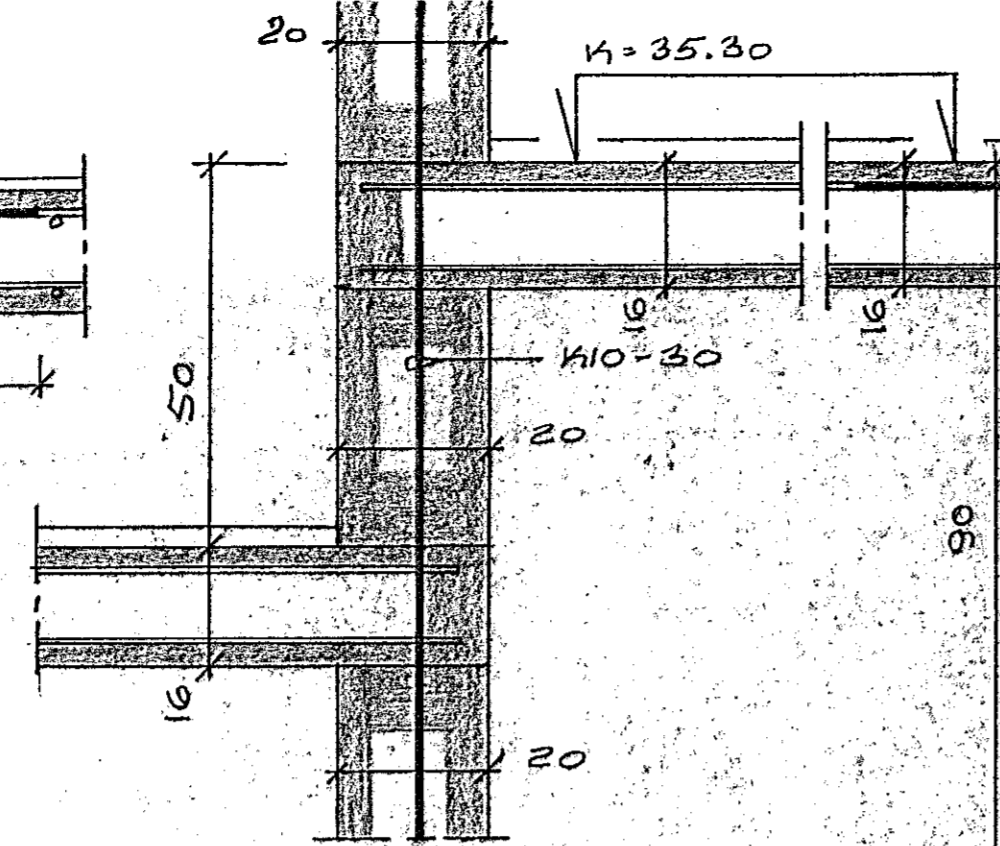
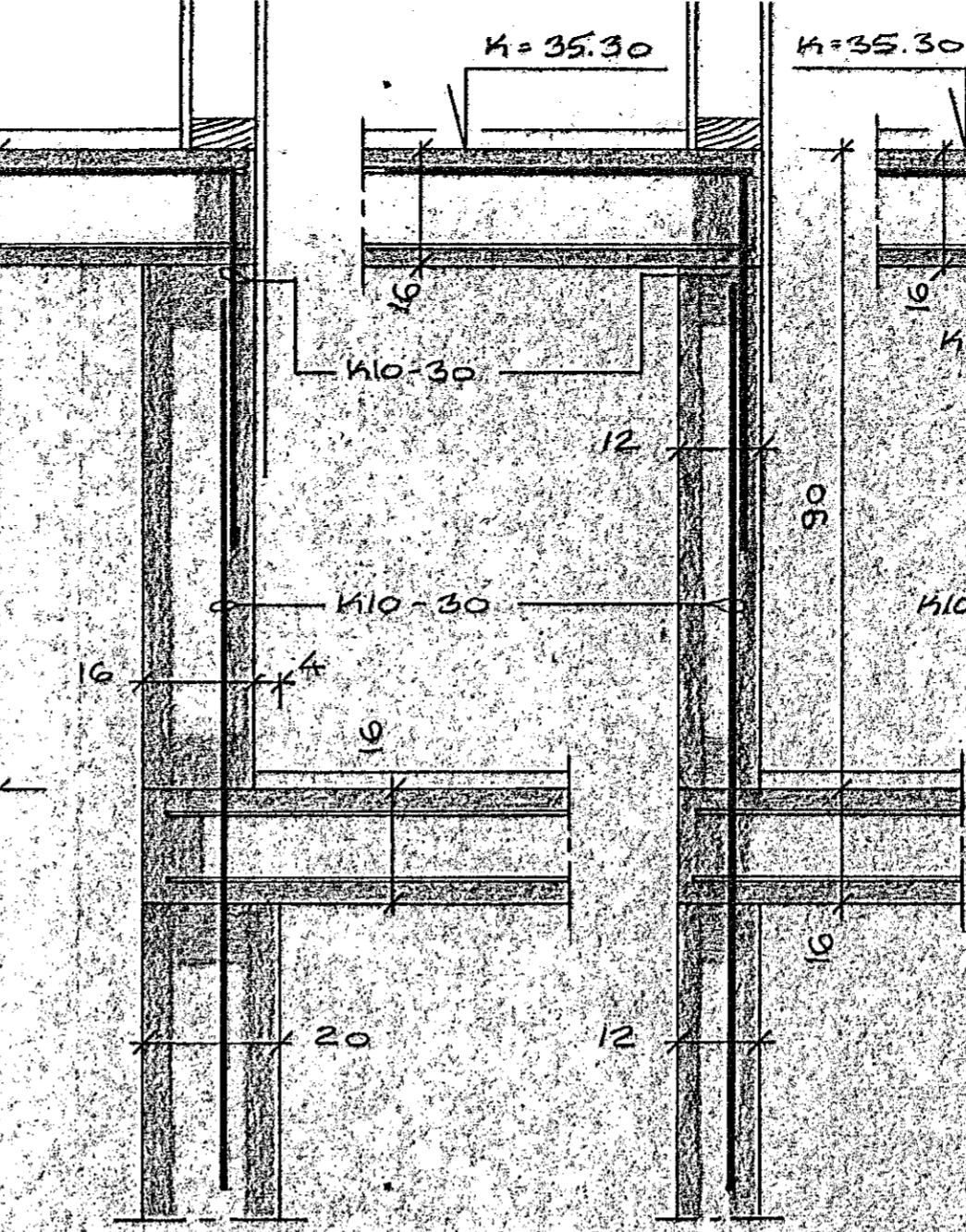


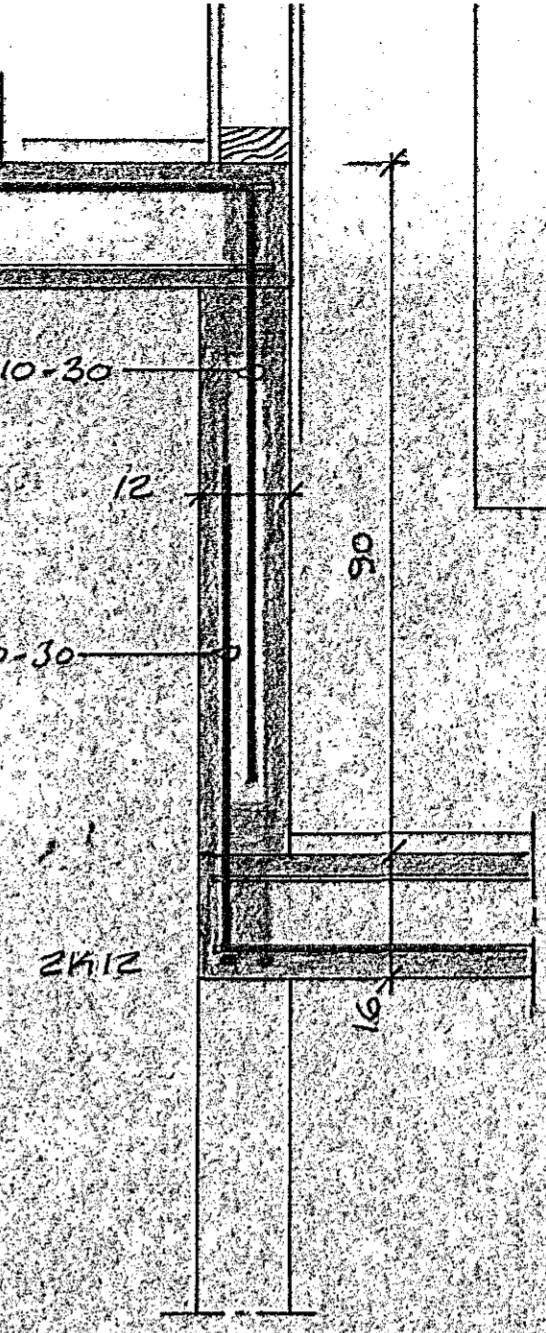
SNID G, M=1:10



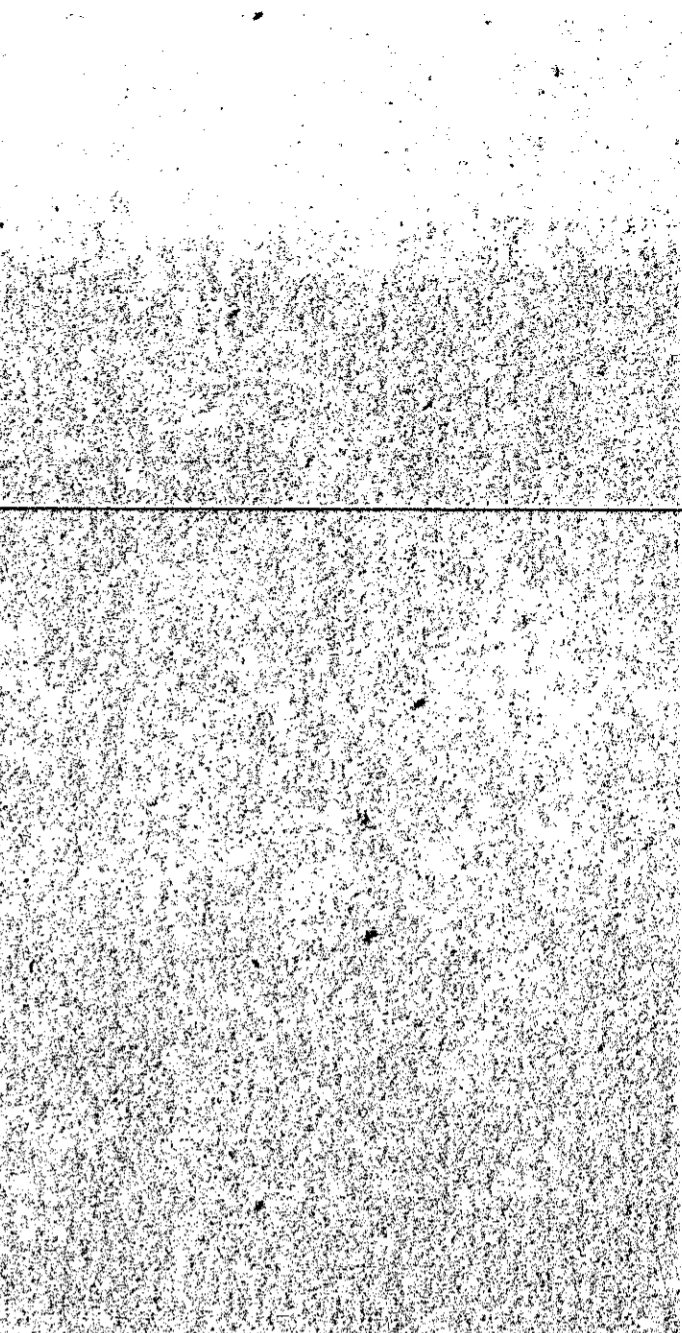
SNID H, M=1:10



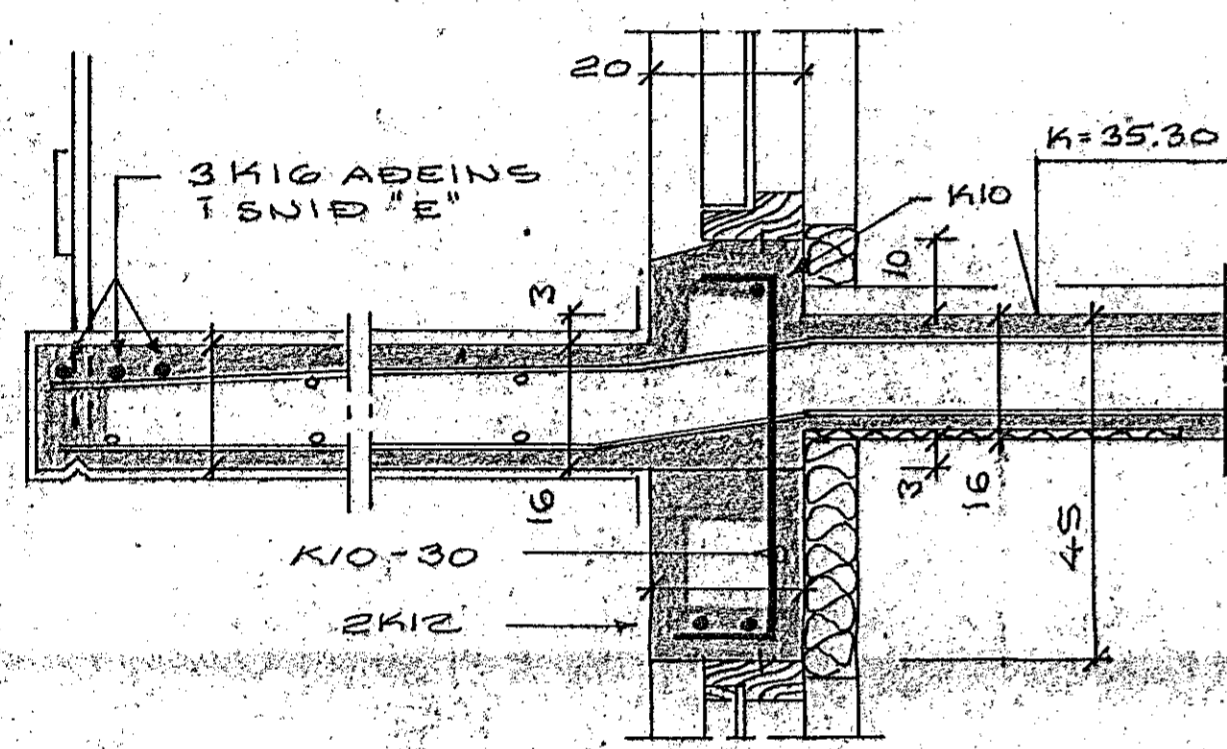
SNID F, M=1:10



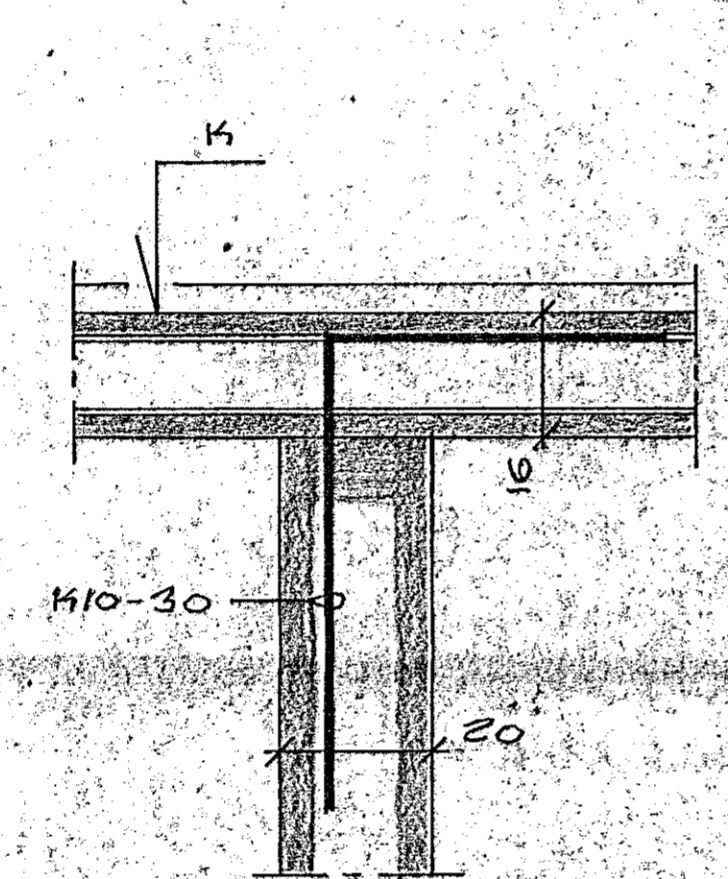
SNID I, M=1:10



SNID K, M=1:10

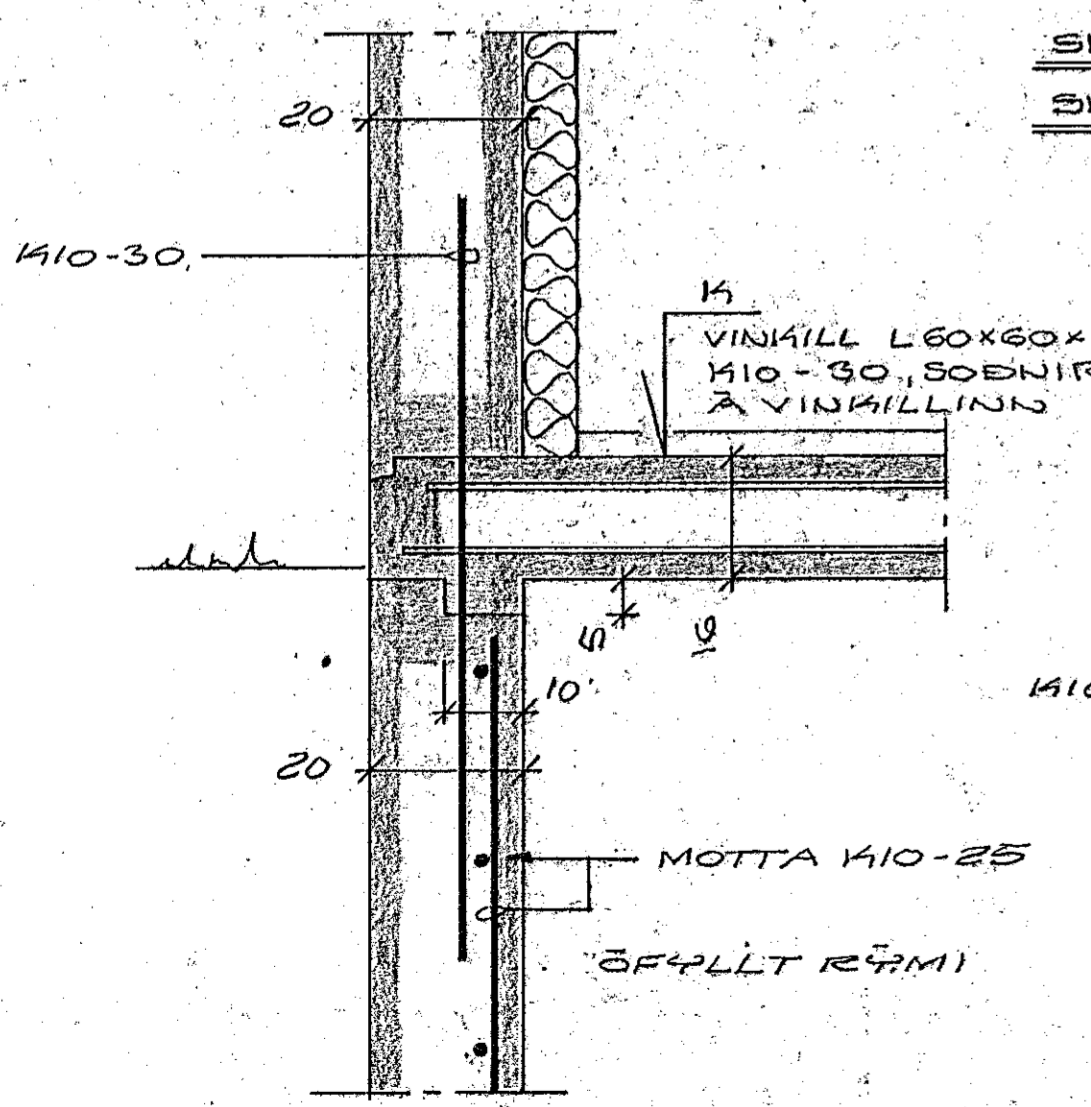


SNID E, M=1:10
SNID E', M=1:10

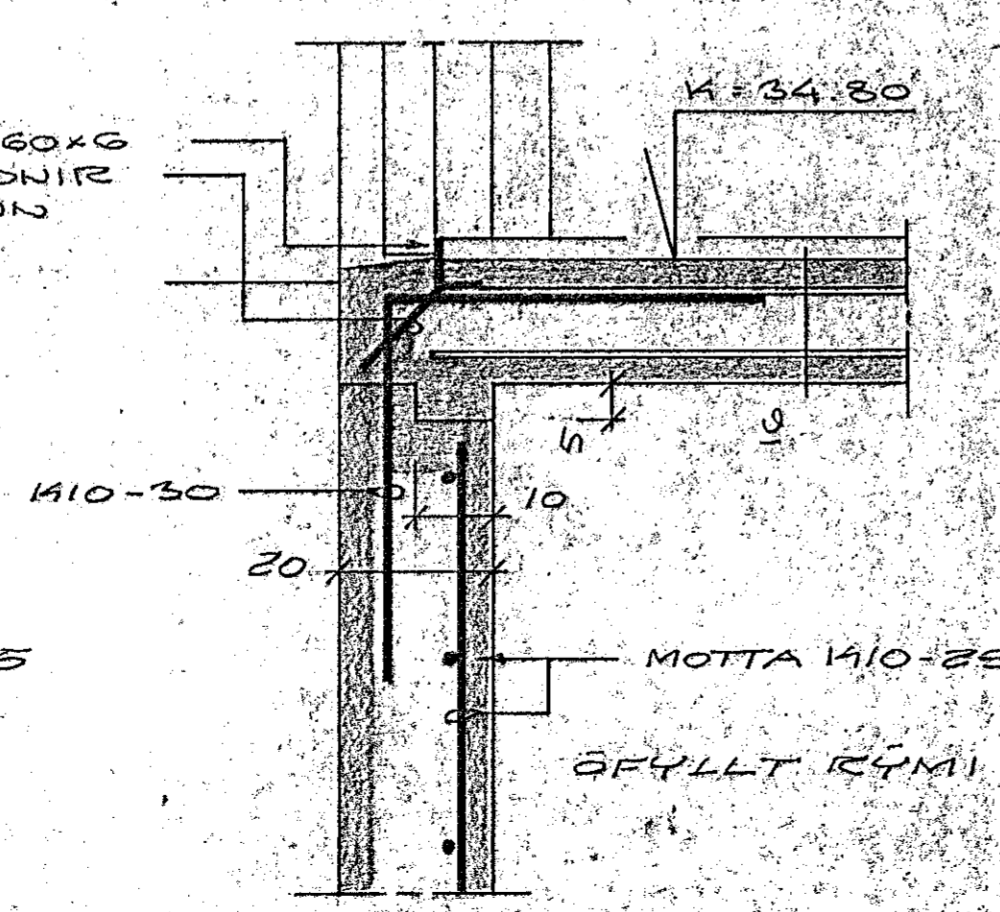


SNID J, M=1:10, K=35.30
SNID J', M=1:10, K=34.40

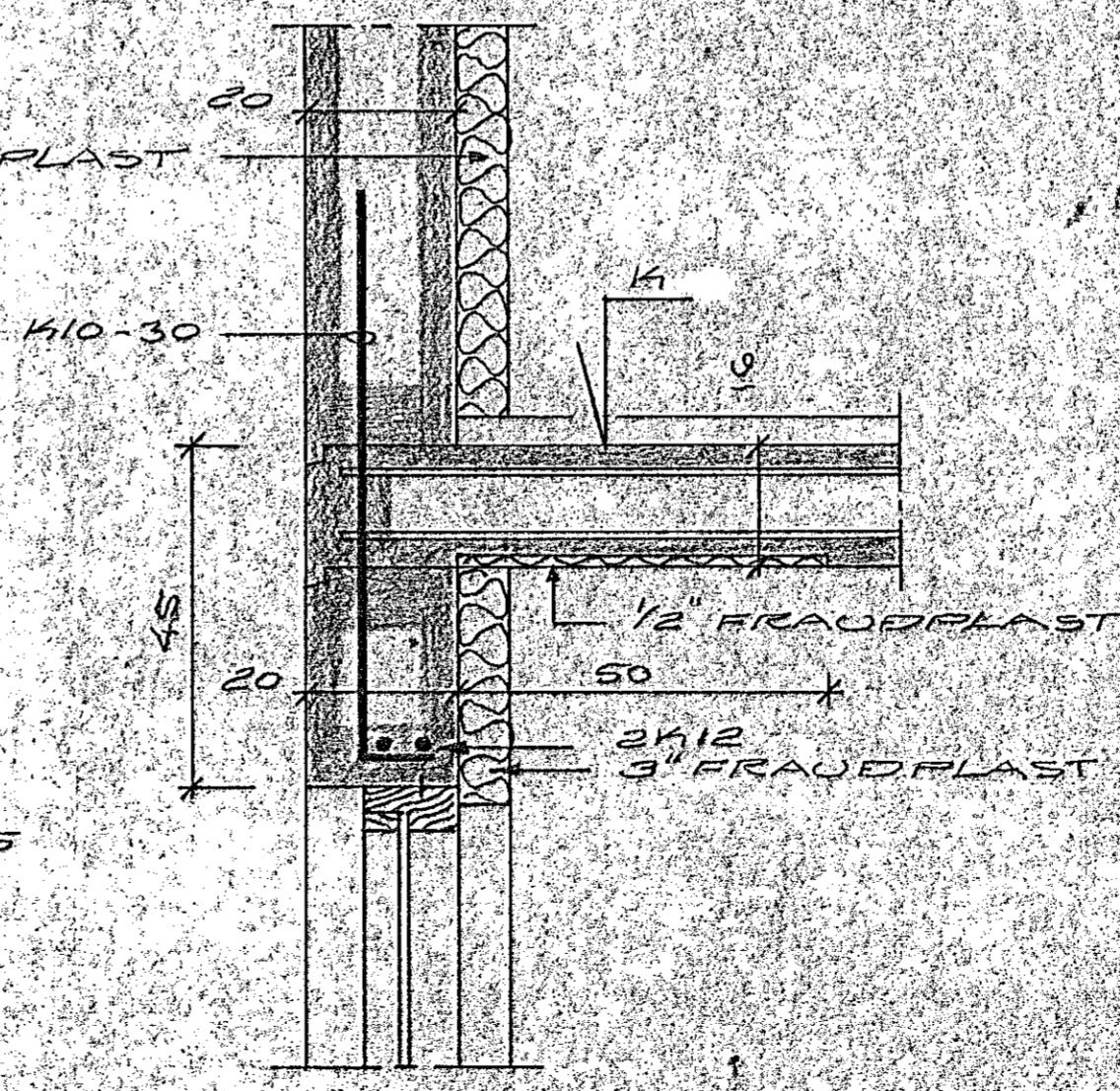
3" FRAUDFLAST



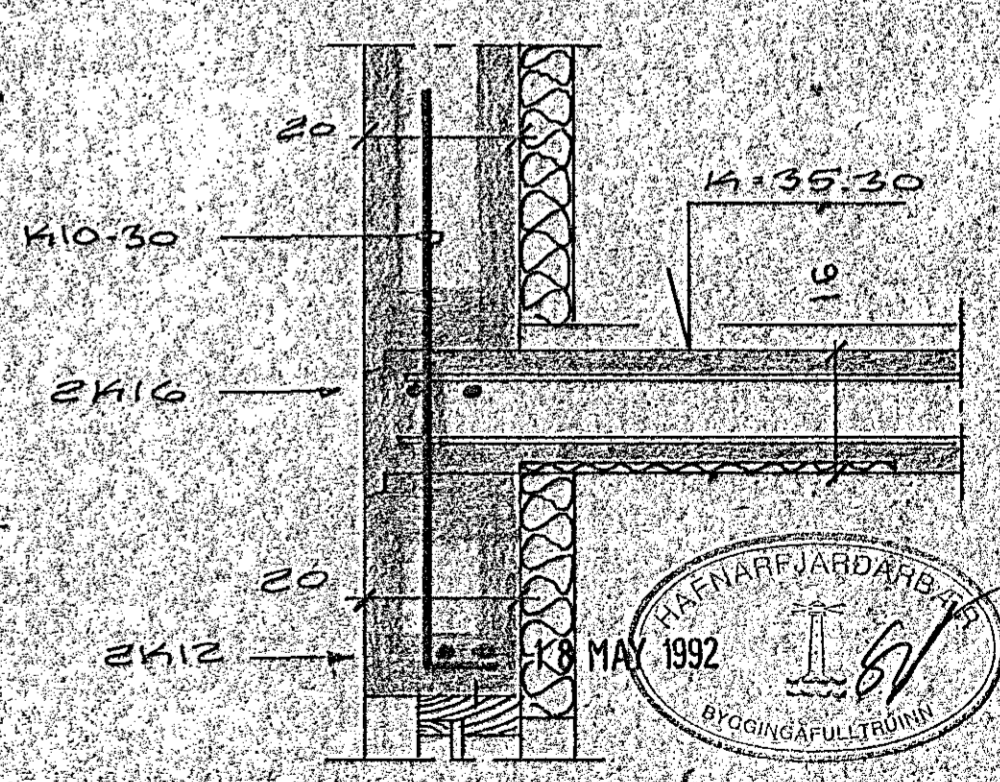
SNID A, M=1:10, K=34.40
SNID A', M=1:10, K=35.30
SNID A'', M=1:10, K=34.80



SNID B, M=1:10



SNID C, M=1:10, K=35.30
SNID C', M=1:10, K=34.40



SNID D, M=1:10



MIDHOLT NR. 6
HAFNARFJARDARBAER
18 MAY 1992
BYGGINGAFULLTRUINN
FLATA HEIR KJALLARA
SERMUNDIC
Agnar Magnússon Pfi