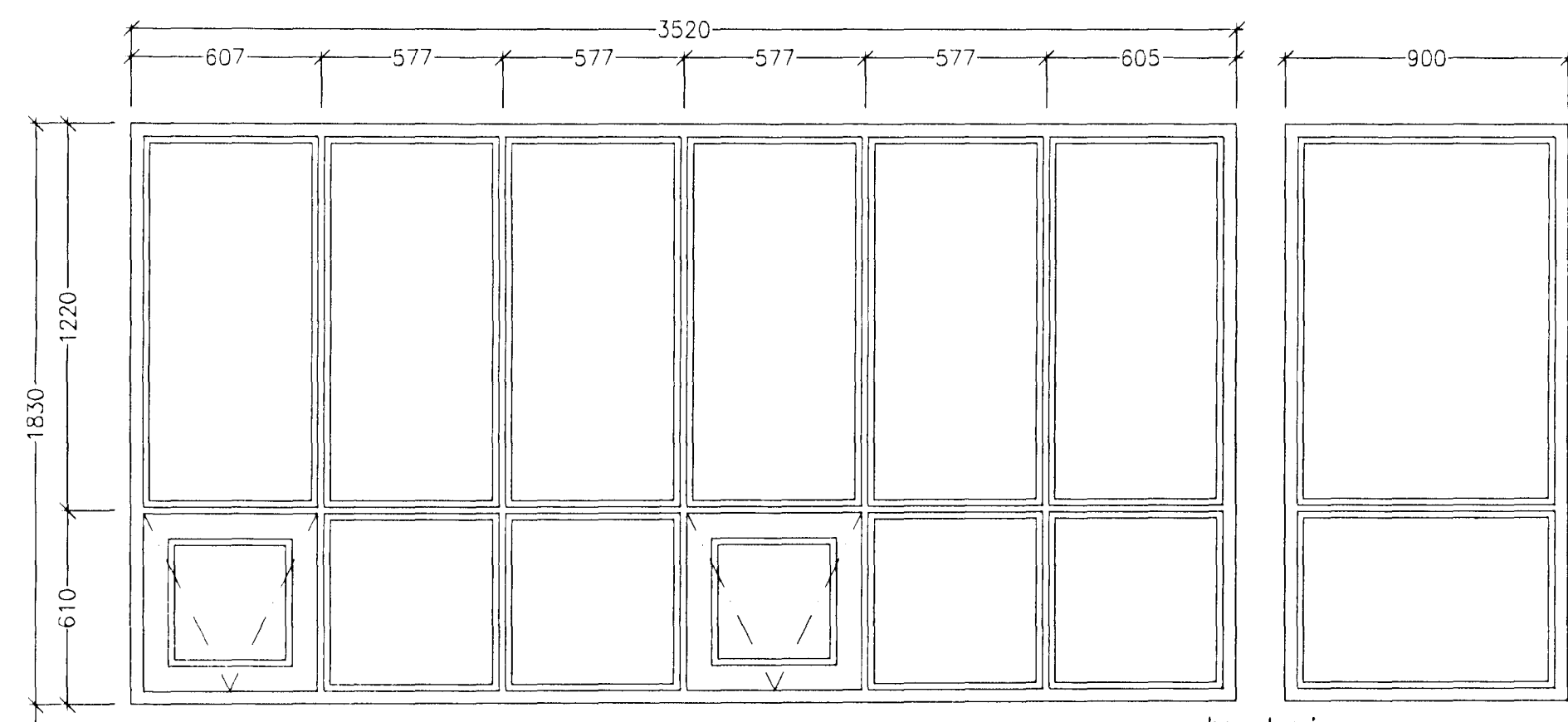
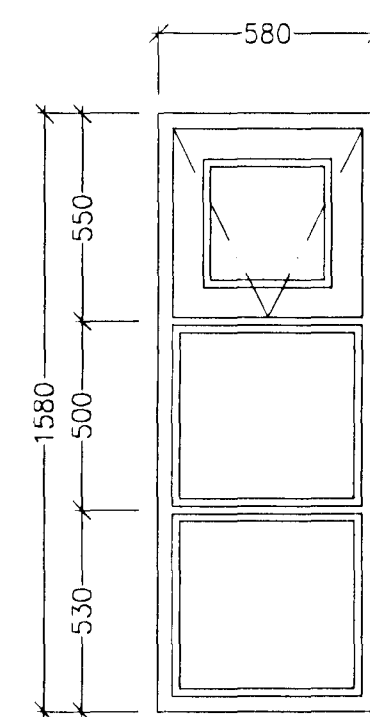


G1-2stk

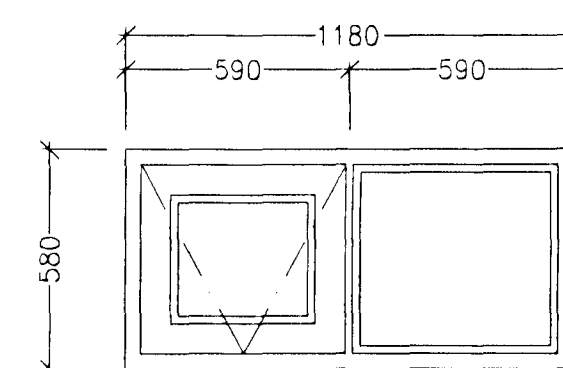


G2-1stk

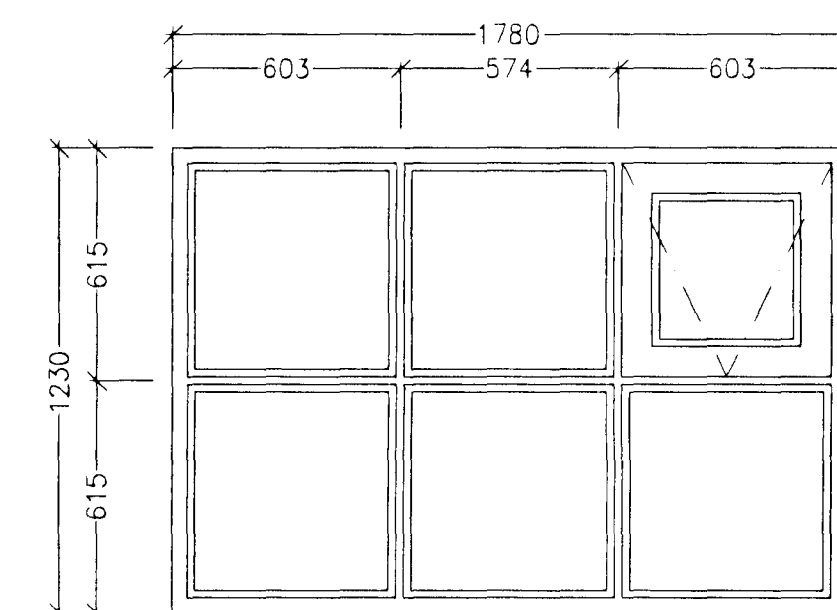
horngluggi
G2-1stk



G3-1stk

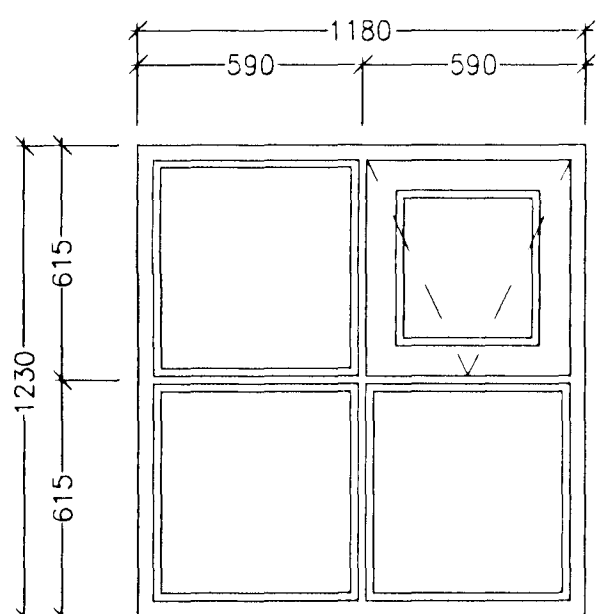


G4-2stk

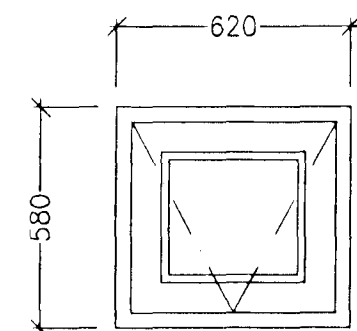


G5-2stk

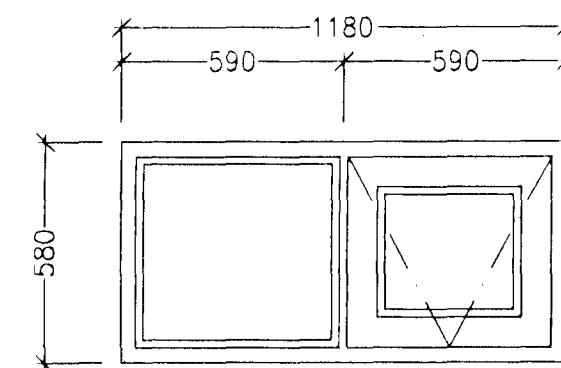
steypit plata



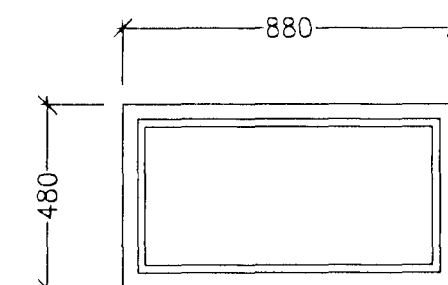
G6-1stk



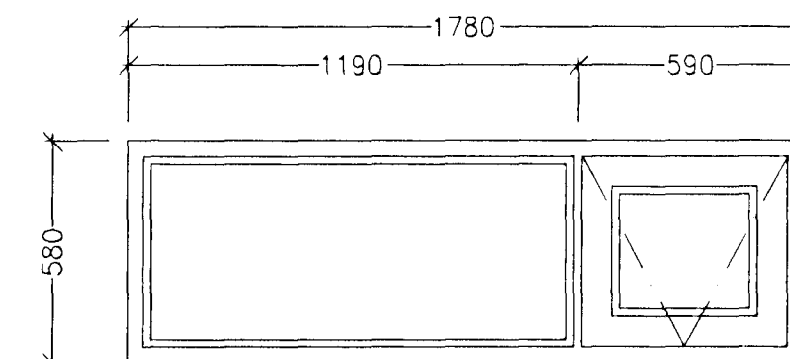
G7-1stk



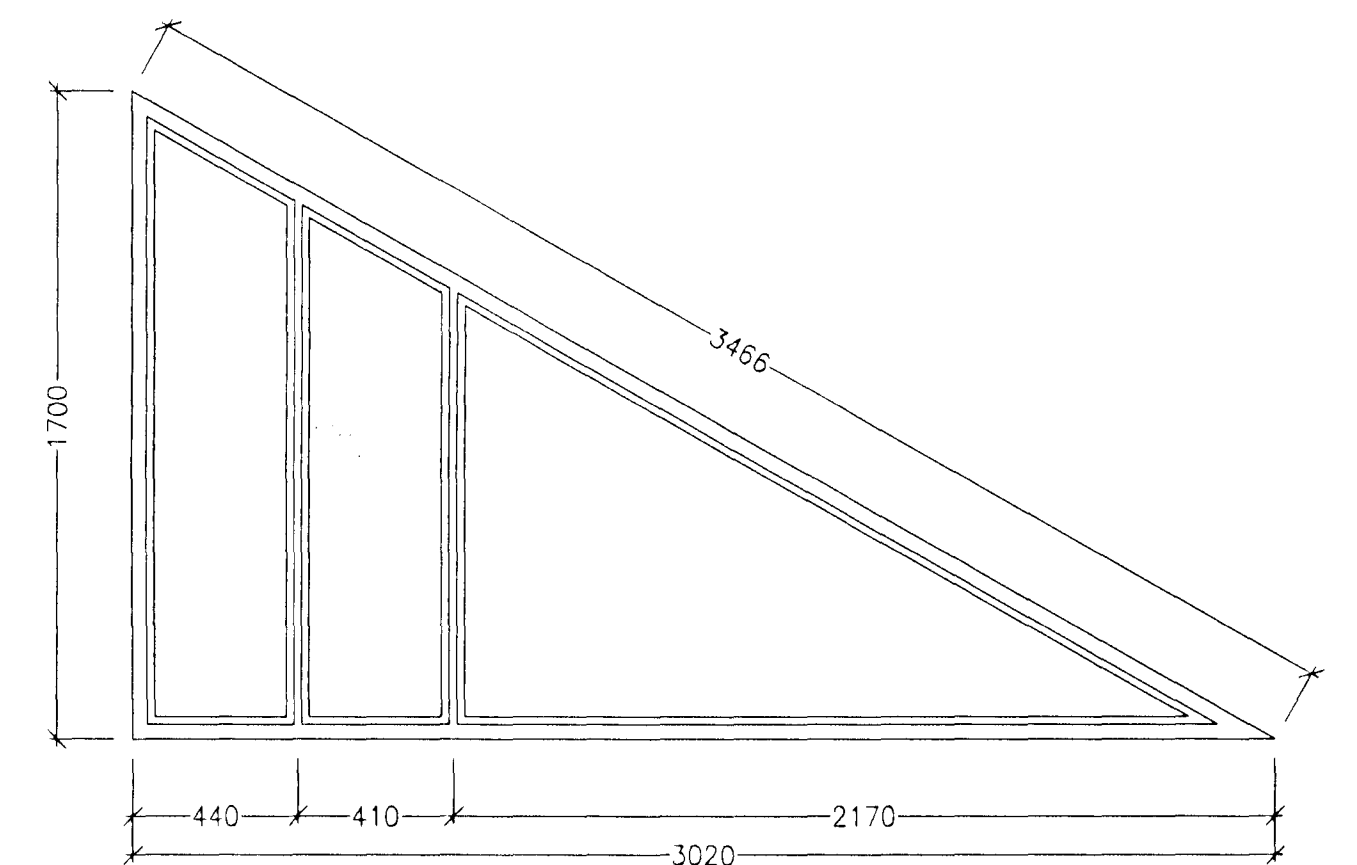
G8-1stk



G9-2stk

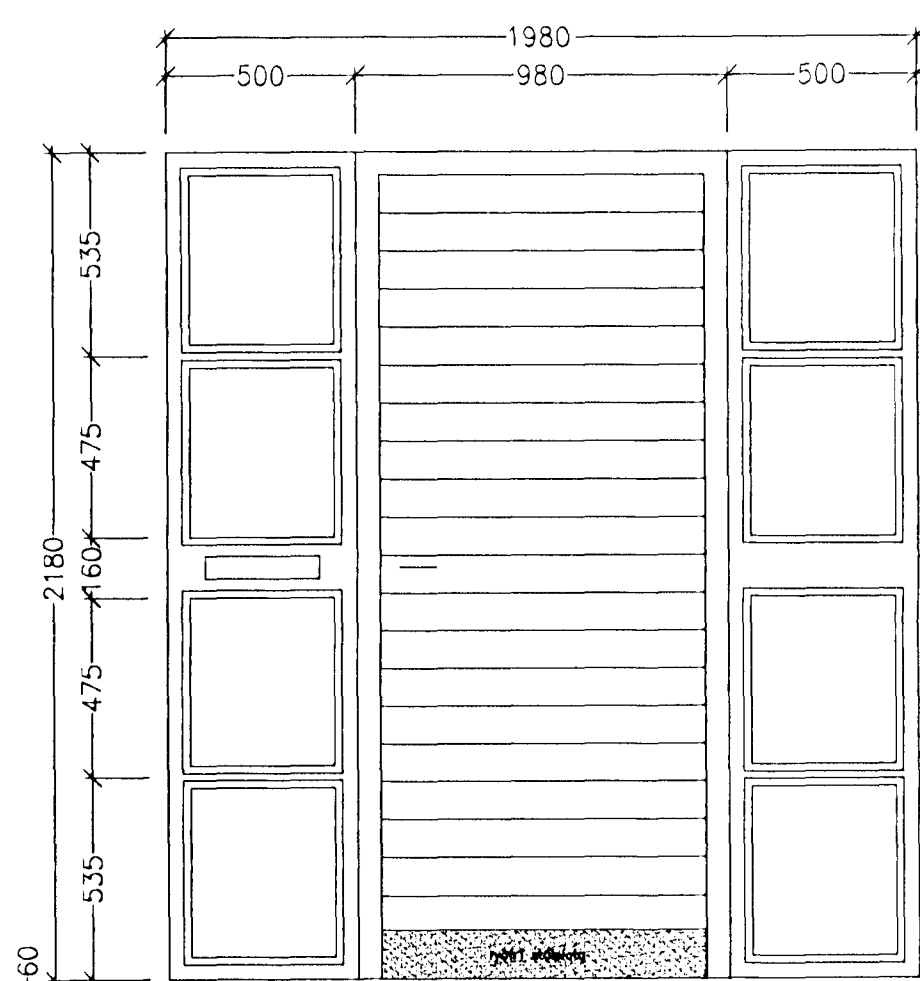


G11-2stk

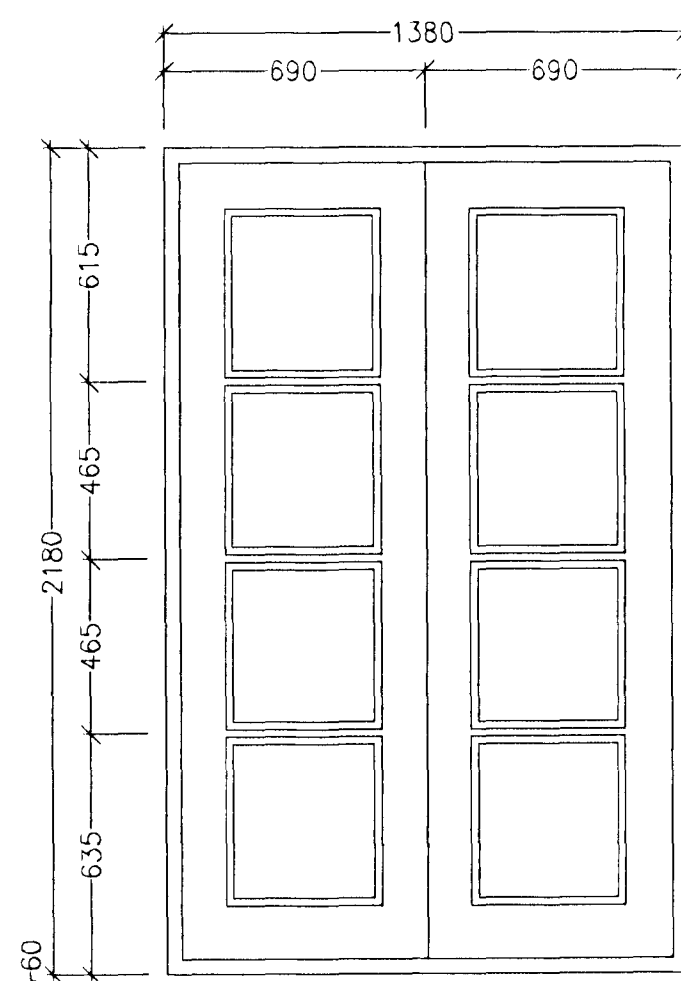


G10-1stk

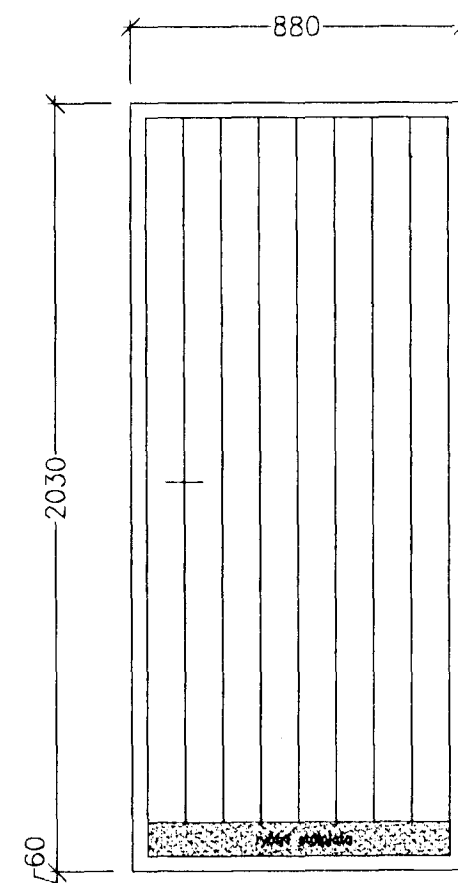
steypit plata



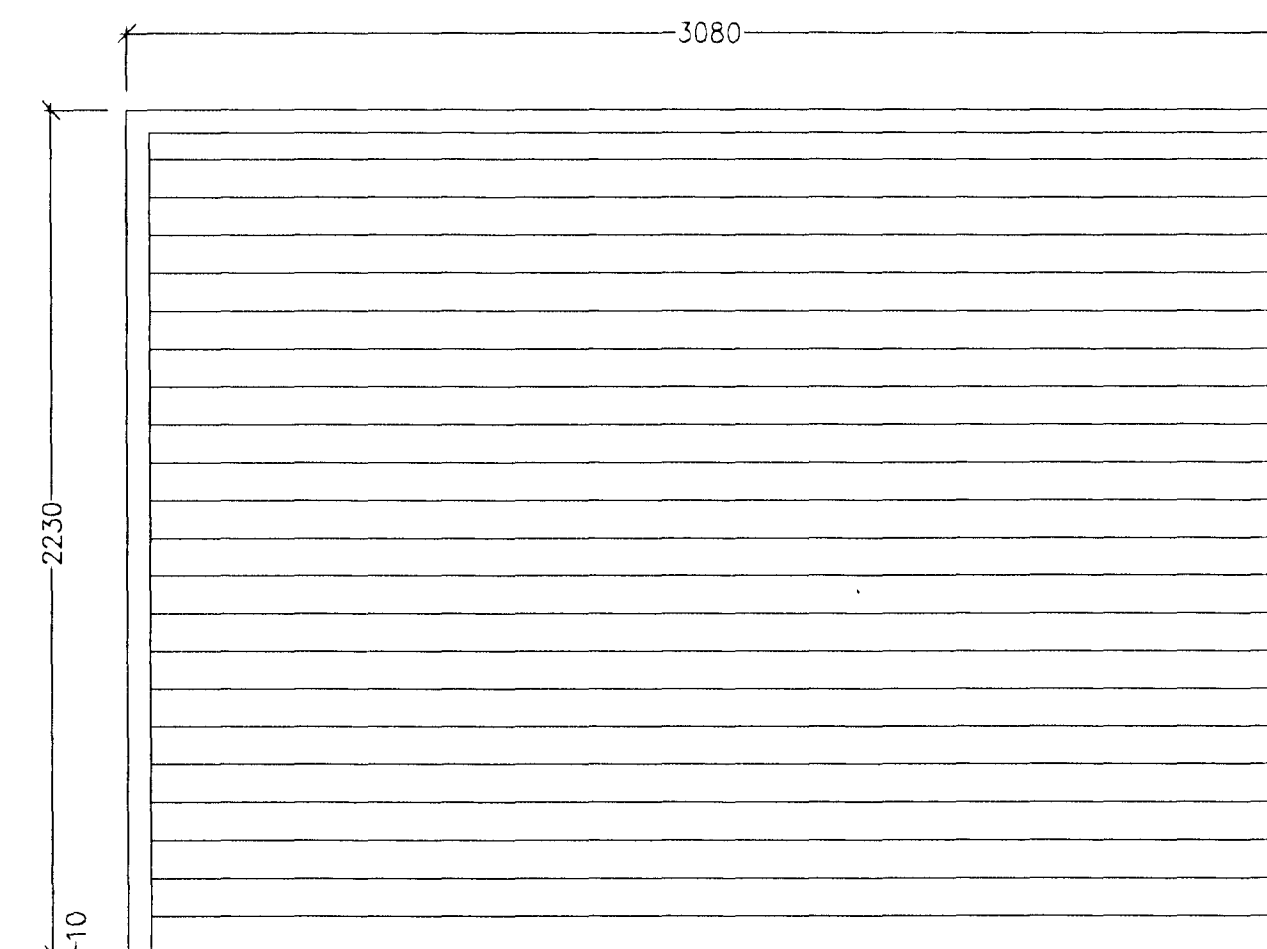
H2-1stk



H1-2stk



H3-1stk



H4-1stk

steypit plata

Byggingaútlitni Háttarfarðar
Algreitt þann
03 DES. 1998
Sigurbjartur Halldórsson

TT3

Einihlöð 12, Hafnarfirði

Br.	dags	lýsing	teiknað
---	---	---	---
---	---	---	---
---	---	---	---

ARKITEKTAR TT3
Túngata 3, 101 Reykjavík
Sími 5512070 fax 5517748
Hannað/teiknað: EG/ÖH

YFIRLIT
GLUGGAR-HURDIR
Dags: 13.11.96 Mkv: 1:20

Teikn.nr.:
Verknr.: 2