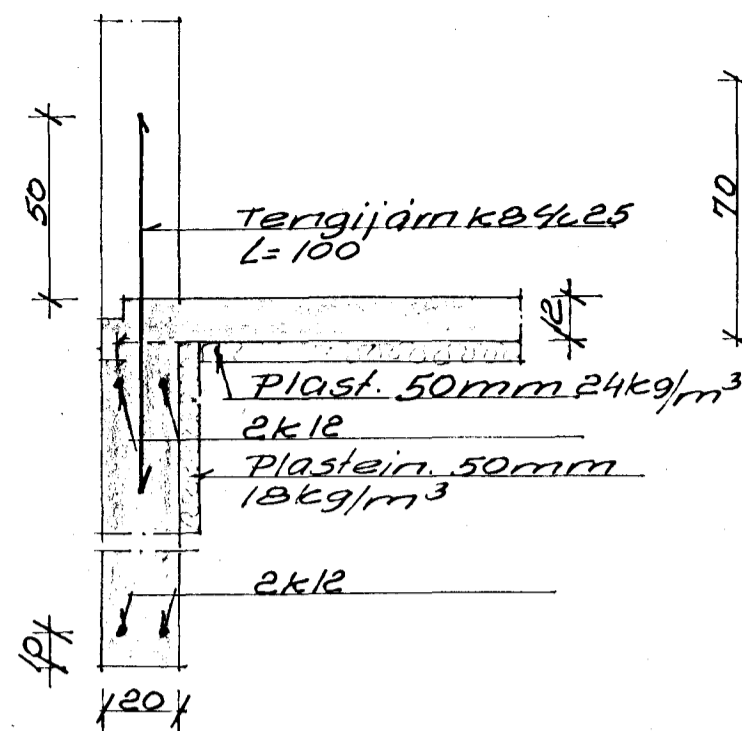


K10 4/25
K10 4/25

K26 6/8
L=100

2x K12
2x K12
Plastein 50mm
24 kg/m³

Snid A6-A6 M1:20



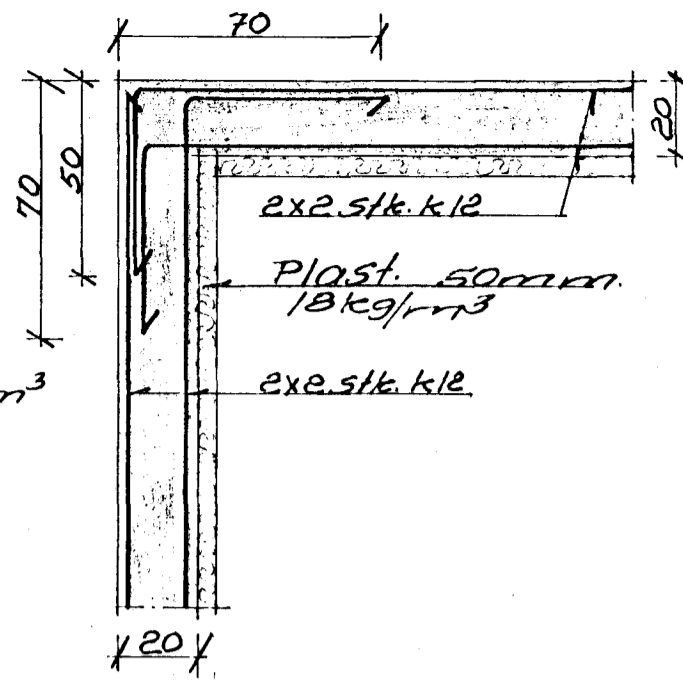
Tengijarn K8 4/25
L=100

Plast. 50mm
24 kg/m³

2x K12
Plastein 50mm
18 kg/m³

2x K12

Snid A6-A6 M1:20

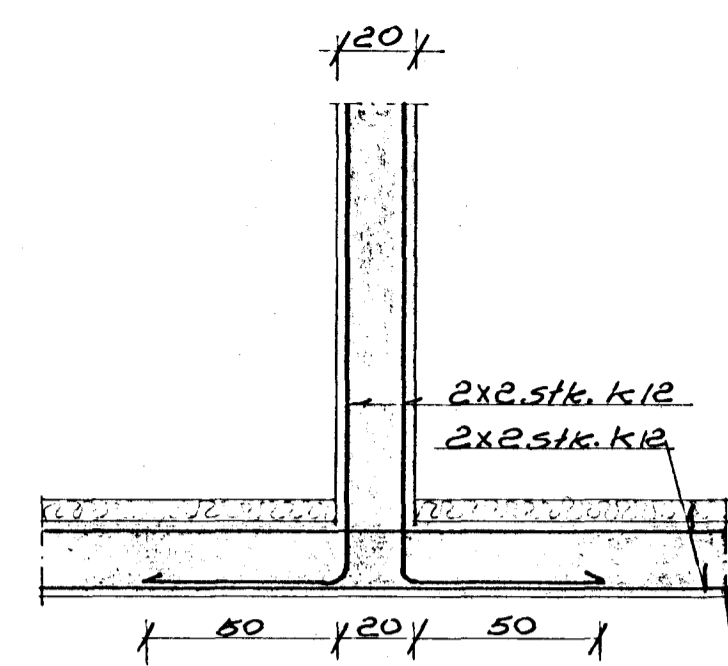


2x 2x K12

Plast. 50mm
18 kg/m³

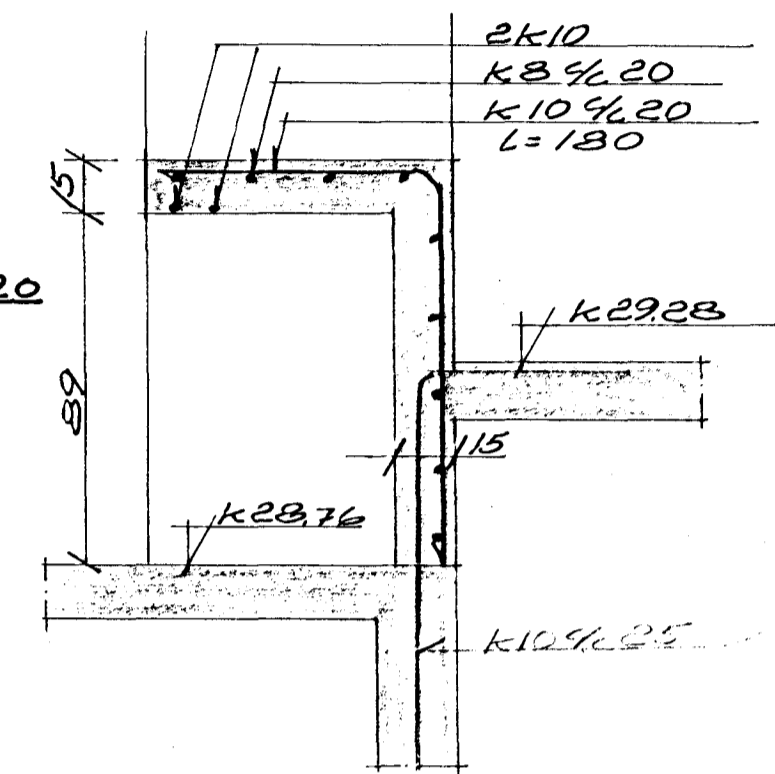
2x 2x K12

Lörett snid i undirst.
M1:20 Lithorn.



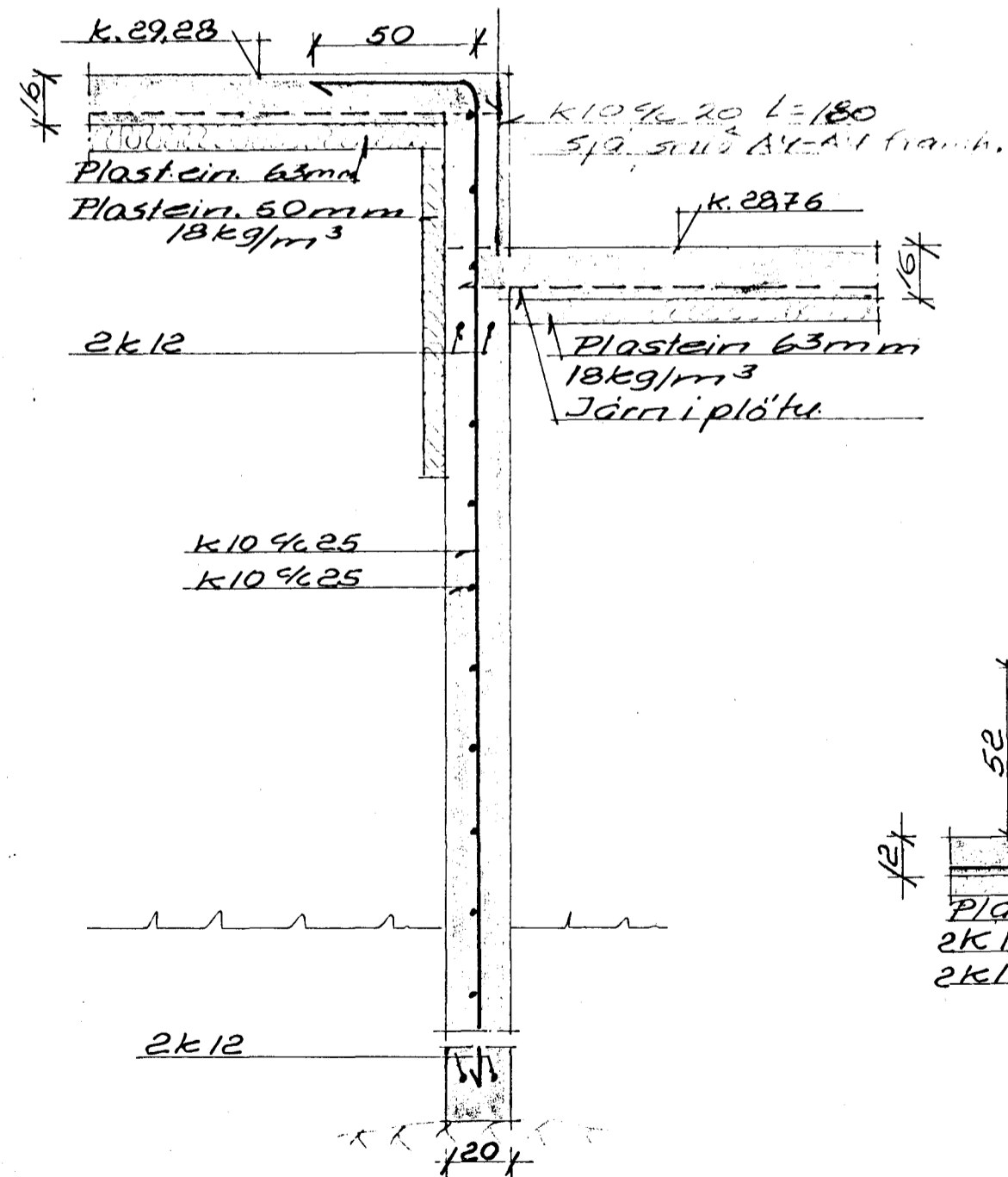
2x 2x K12
2x 2x K12

Lörett snid i undirst. M1:20
Hilliveggur



2x K10
K8 4/20
K10 4/20
L=180

Snid A4-A4 framh. M1:20



K29 2/8
50

K10 4/25 L=180
5/2, snúð A4-A4 framh.

Plastein 63mm
18 kg/m³

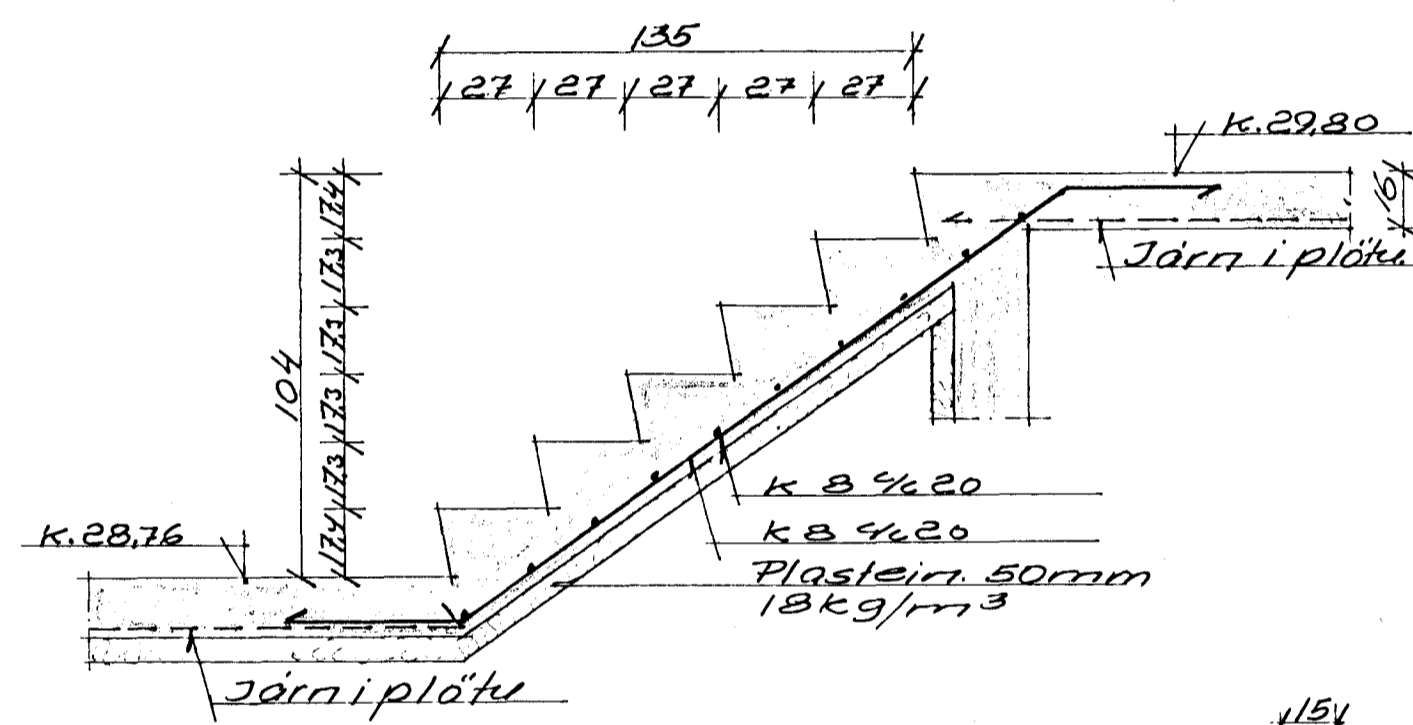
2x K12

K28 7/6
Plastein 63mm
18 kg/m³
Járn i plötu

K10 4/25
K10 4/25

2x K12

Snid A4-A4 M1:20



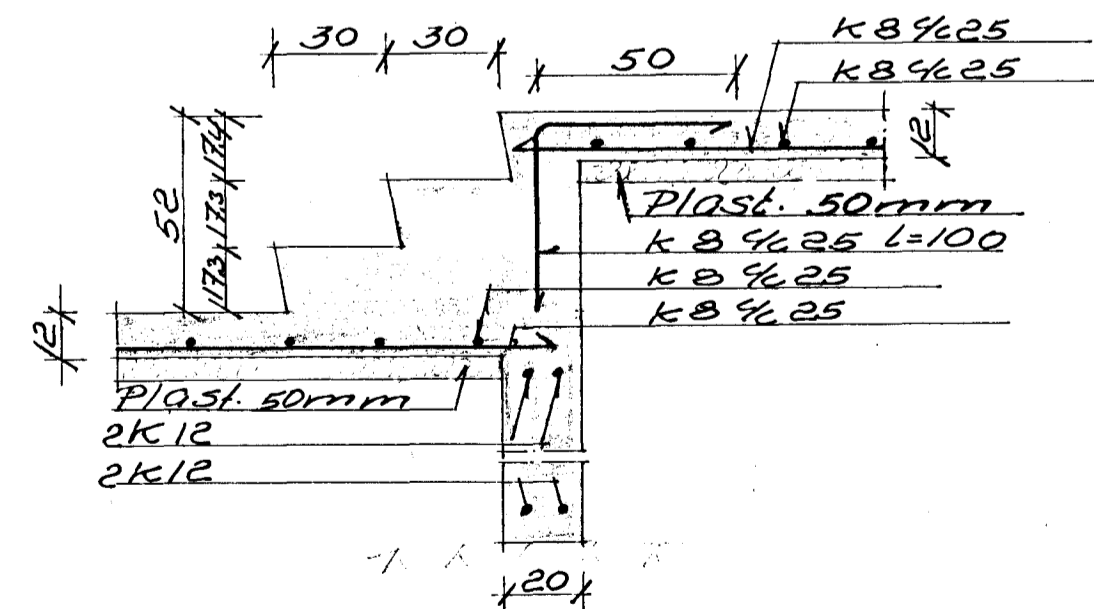
135
27 x 27 x 27 x 27 x 27

104
173 x 173 x 173 x 173 x 173

K28 7/6

K8 4/20
K8 4/20
Plastein 50mm
18 kg/m³

Snid A5-A5 M1:20



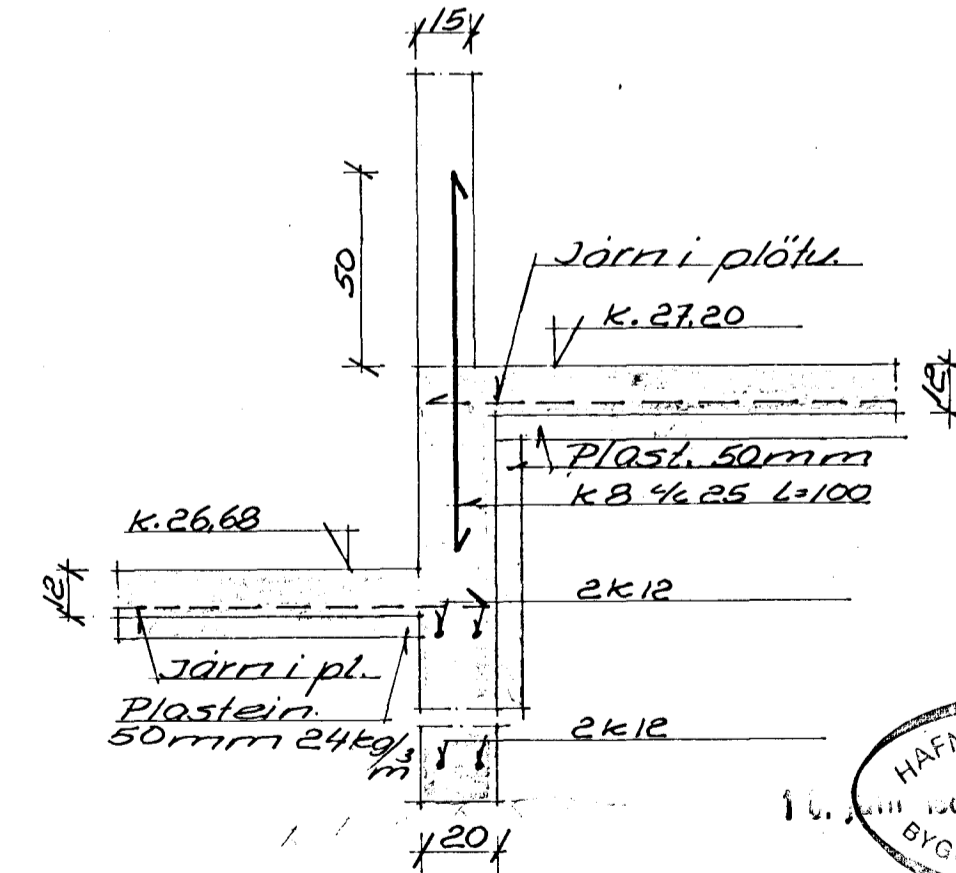
30 x 30

50
K8 4/25
K8 4/25

Plast. 50mm
K8 4/25 L=100
K8 4/25
K8 4/25

Plast. 50mm
2x K12
2x K12

Snid A2-A2 M1:20



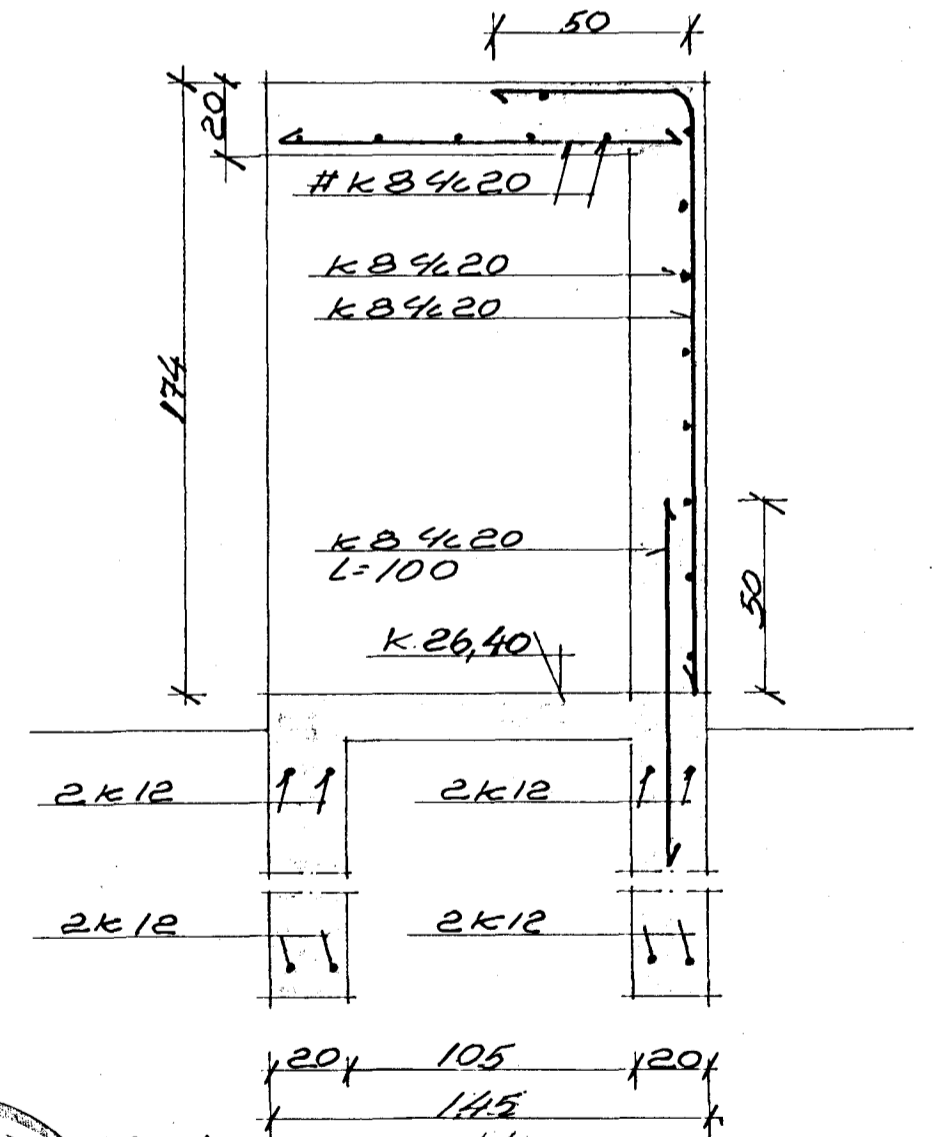
154

Járn i plötu
K27 2/0

Plast. 50mm
K8 4/25 L=100

K26 6/8
Járn i pl.
Plastein
50mm 24 kg/m³

Snid A3-A3 M1:20



K8 4/20
L=100

K26 4/0

2x K12

2x K12

2x K12

2x K12

204 105 204
174 145

Snid A10-A10 M1:20



UNNAR JÓNSSON M.T.F.I S. 52439

VERKHEITI Fagraberg nr. 50
Hafnarfirði
VERKHLUTI Undirstöður.
smeiðingar

VERK NR. 10108-3
DAGS. Maí 1987
M.K.V. 1:20
TEIKNAD. U.J.
HANNAD. Unnar Jónsson