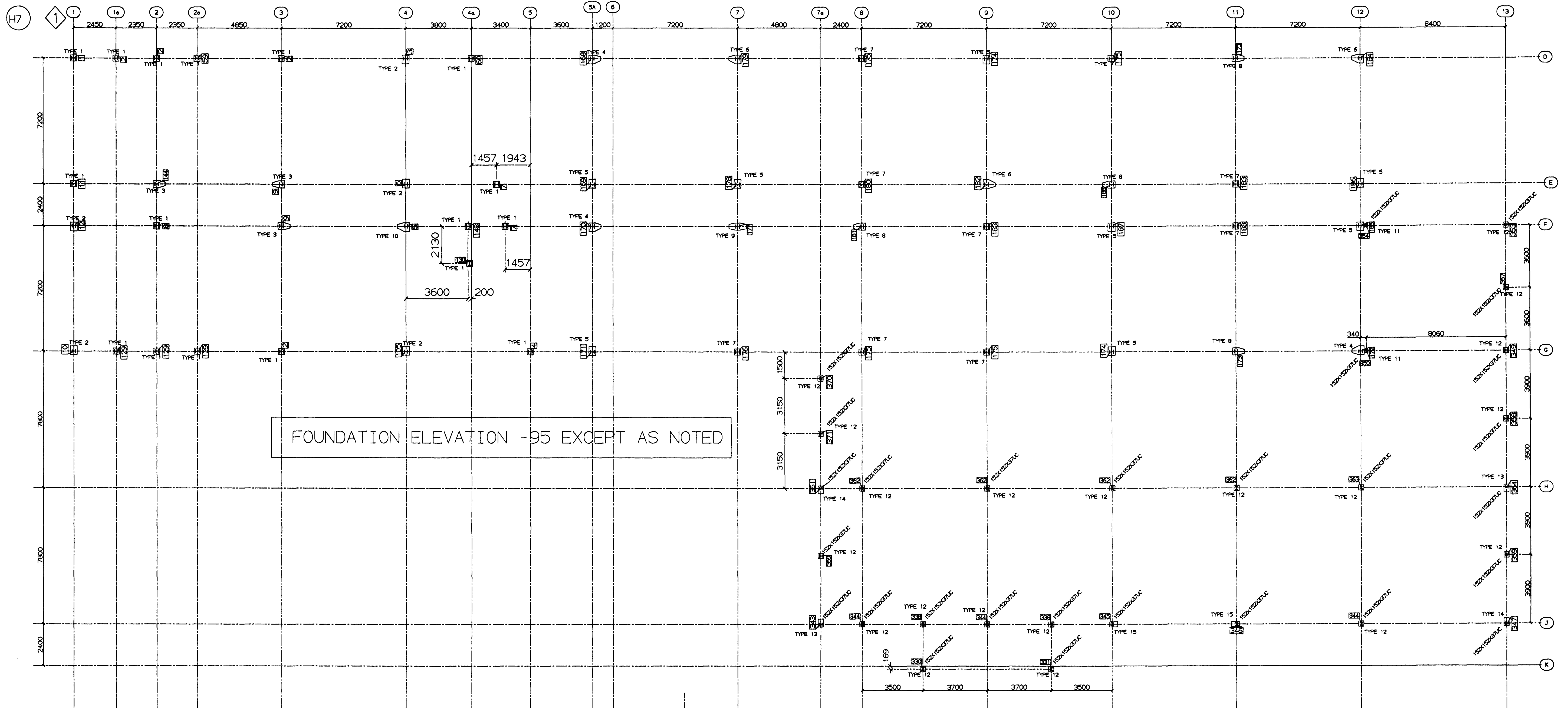


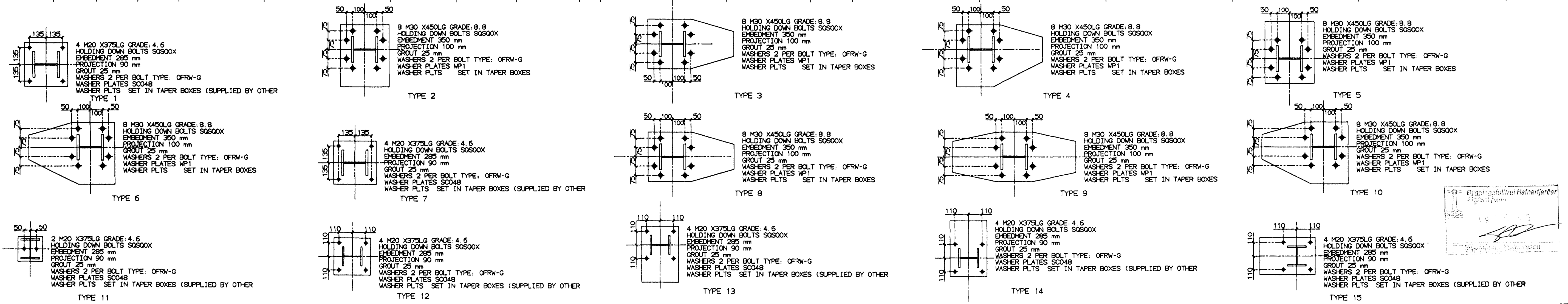
TOLERANCES ARE TO Q. A. DOCUMENT WP2A (UNO.)

DO NOT SCALE. WORK TO FIGURED DIMENSIONS ONLY. IF IN DOUBT ASK!

A1



FOUNDATION ELEVATION -95 EXCEPT AS NOTED



ALL WELDS 6mm FW UNO  
PAINT SPEC : WR95 - EPOXY ZINC RICH PRIMER

FOUNDATION PLAN  
HOT ROLLED COLUMNS 203X203X71UC U.N.O.

**VBV Verkræðistofa**  
**Bjarna Viðarssonar ehf**  
Söðruhlá 20, 108 Rvk, sími 588 82 88, fax 588 08 88

Sampykkt: *[Signature]* 11026151974  
Verkrn. ISKH

ÍDNSKÓLINN Í HAFNARFIRÐI  
FLATAHRAUNI 12

BURÐARVIRKI  
STÁLVIKRI  
Dags. 13.04.1999

| REV | DATE | DESCRIPTION | REV | DATE | DESCRIPTION |
|-----|------|-------------|-----|------|-------------|
|     |      |             |     |      |             |

CLIENT: FORMACO - VBV CONTRACT No. 19007

DRAWN No 1 DATE 28/03/99 CHECKED DATE DATE

DRG No. REV. FL1 A

Byggingafræðingur  
Hafnarfirði

*[Signature]*

STRUCAD