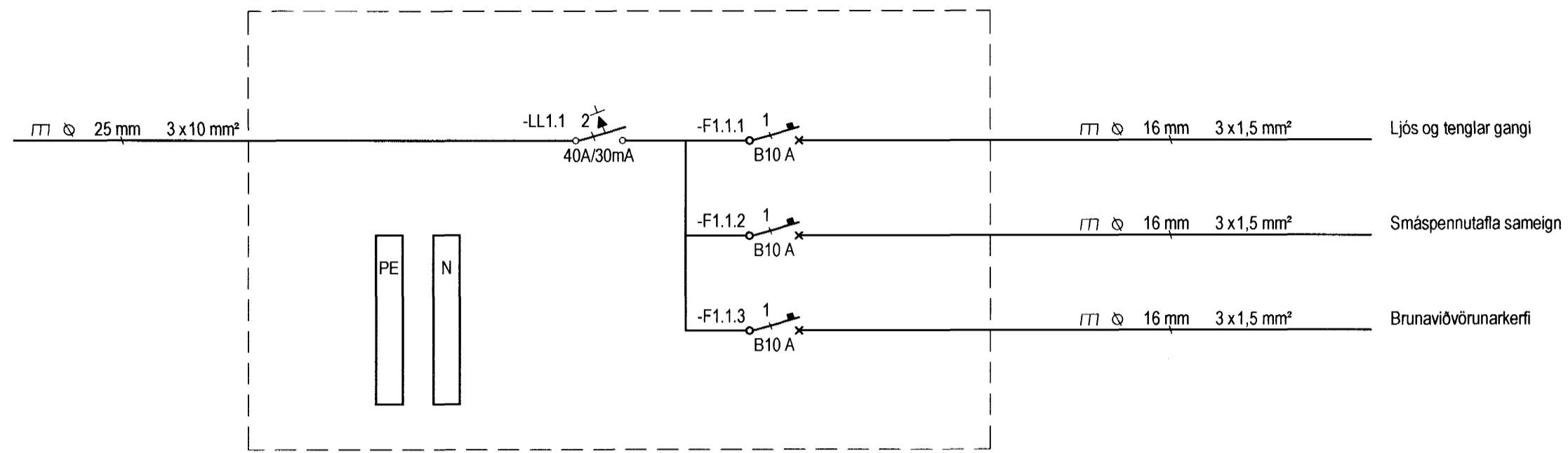
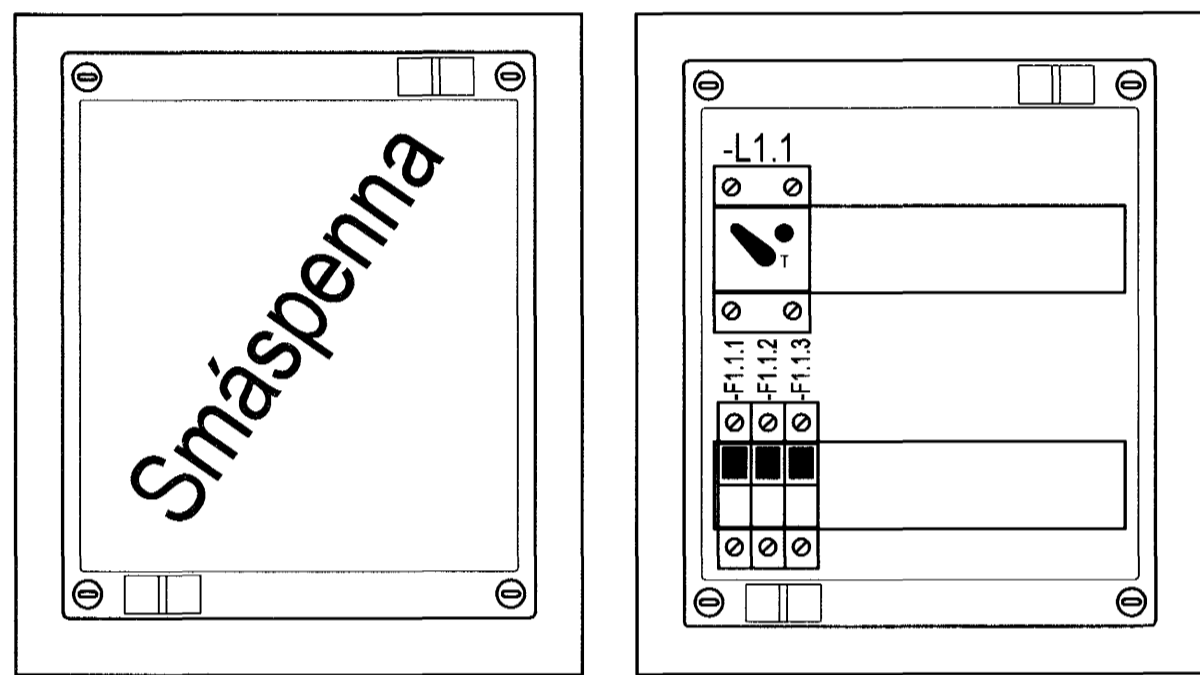


Greinatöflur sameign

Íbúð	Tafla	Íbúð	Tafla	Same. Tafla	Sam. Tafla	Íbúð	Tafla	
04-07	T4.1	04-08	T4.2	T4.5	04-09	T4.3	04-10	T4.4
03-11	T3.1	03-12	T3.2	T3.5	03-13	T3.3	03-14	T3.4
02-11	T2.1	02-12	T2.2	T2.5	02-13	T2.3	02-14	T2.4
01-07	T1.1	01-08	T1.2	T1.5	01-09	T1.3	01-10	T1.4
				T0.1				

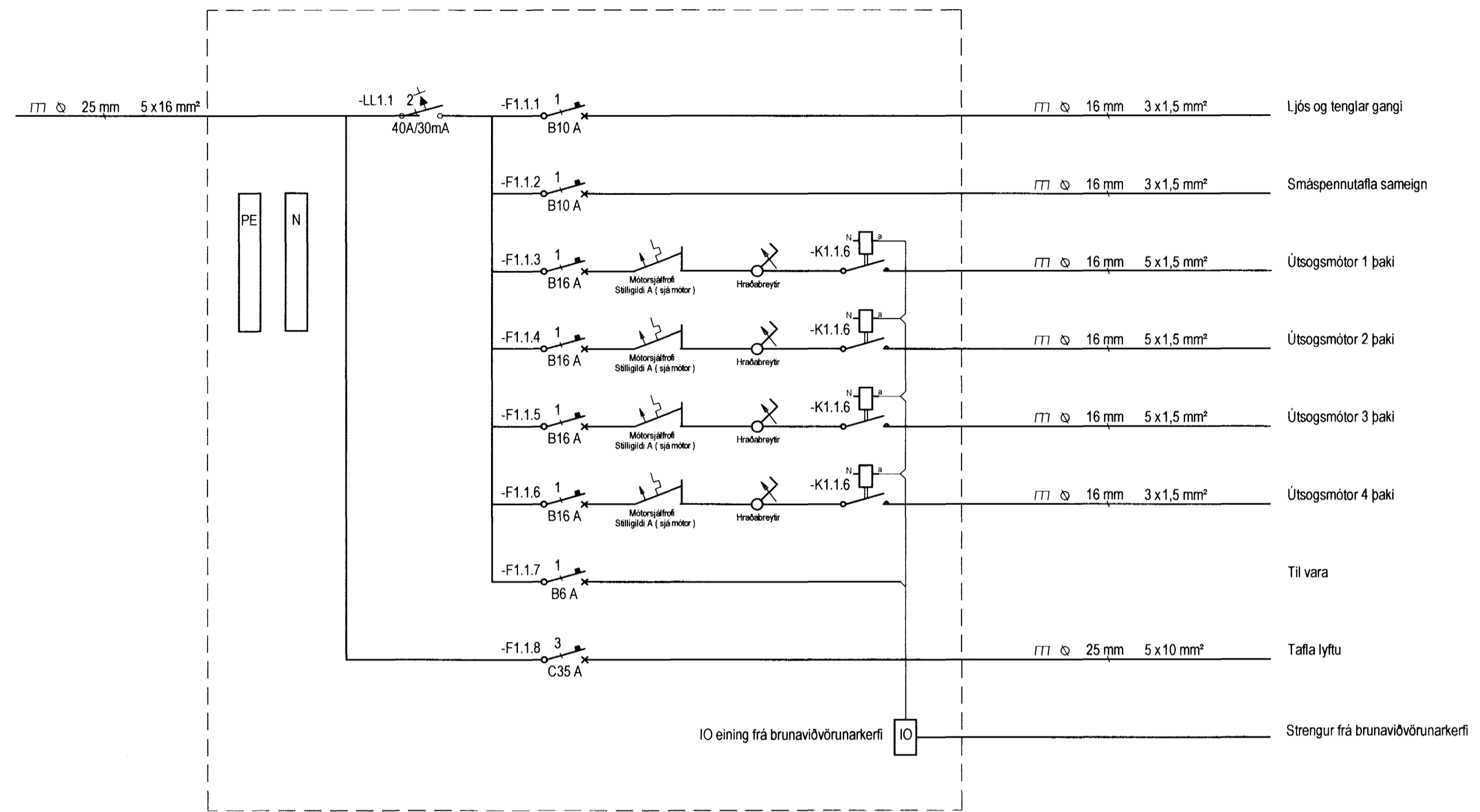


Tillaga að uppröðun í greinatöflum sameign

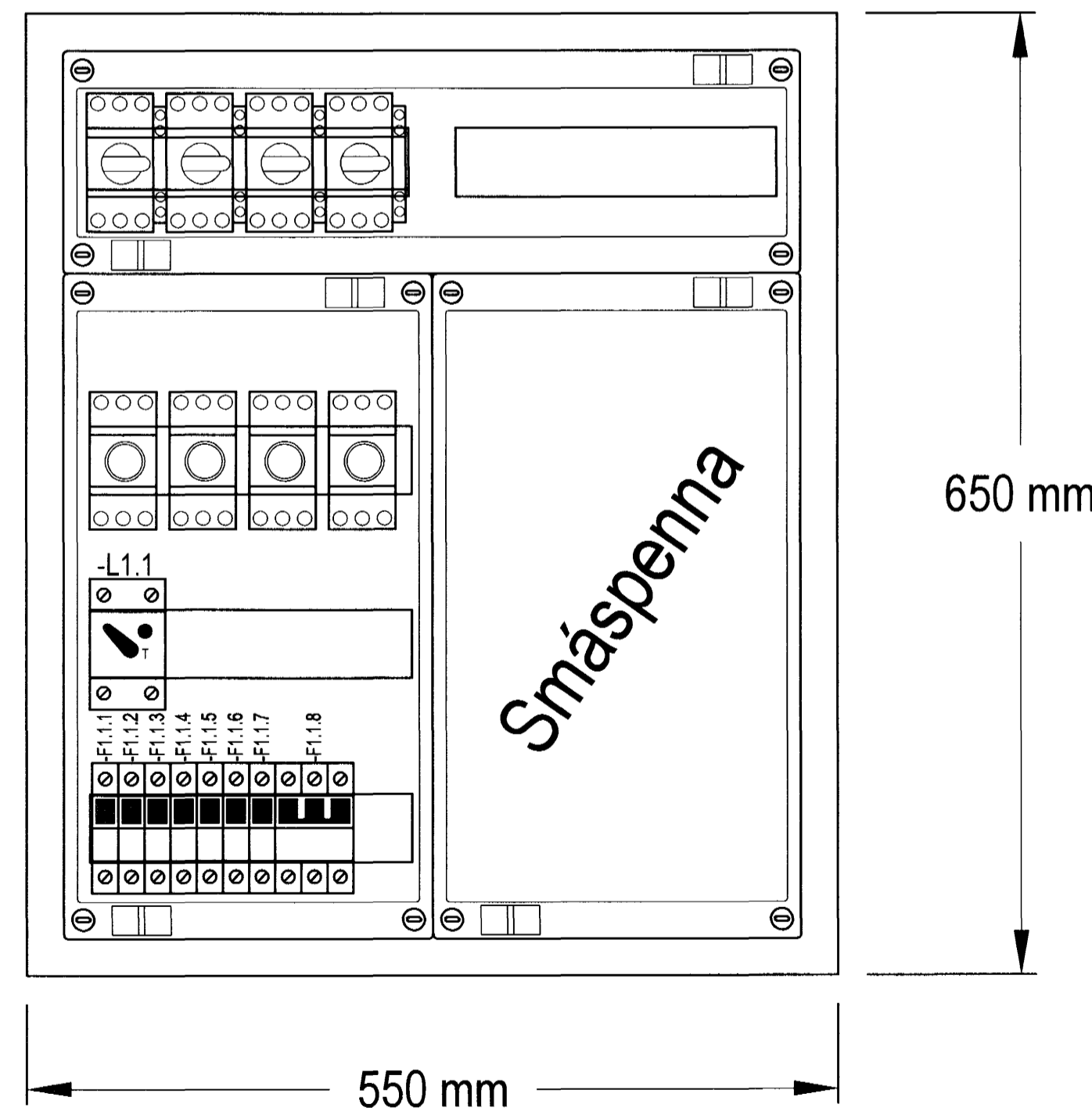


Greinatafla sameign

Íbúð	Tafla	Íbúð	Tafla	Same. Tafla	Sam. Tafla	Íbúð	Tafla	
04-07	T4.1	04-08	T4.2	T4.5	04-09	T4.3	04-10	T4.4
03-11	T3.1	03-12	T3.2	T3.5	03-13	T3.3	03-14	T3.4
02-11	T2.1	02-12	T2.2	T2.5	02-13	T2.3	02-14	T2.4
01-07	T1.1	01-08	T1.2	T1.5	01-09	T1.3	01-10	T1.4
				T0.1				

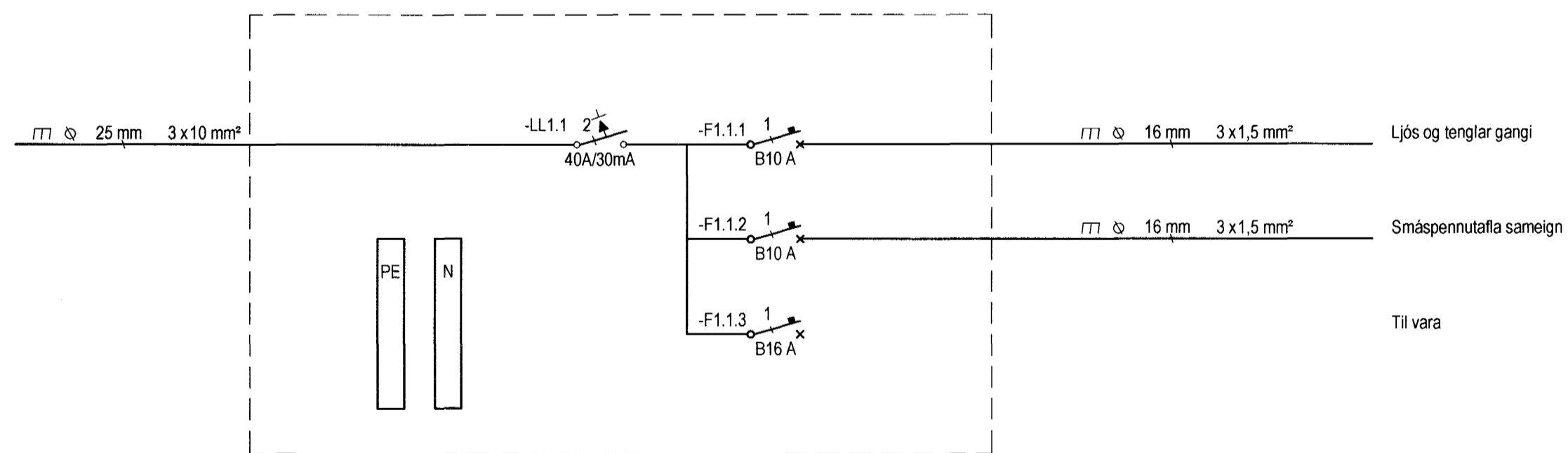


Tillaga að uppröðun í greinatöflu sameign 4 hæð T4.5

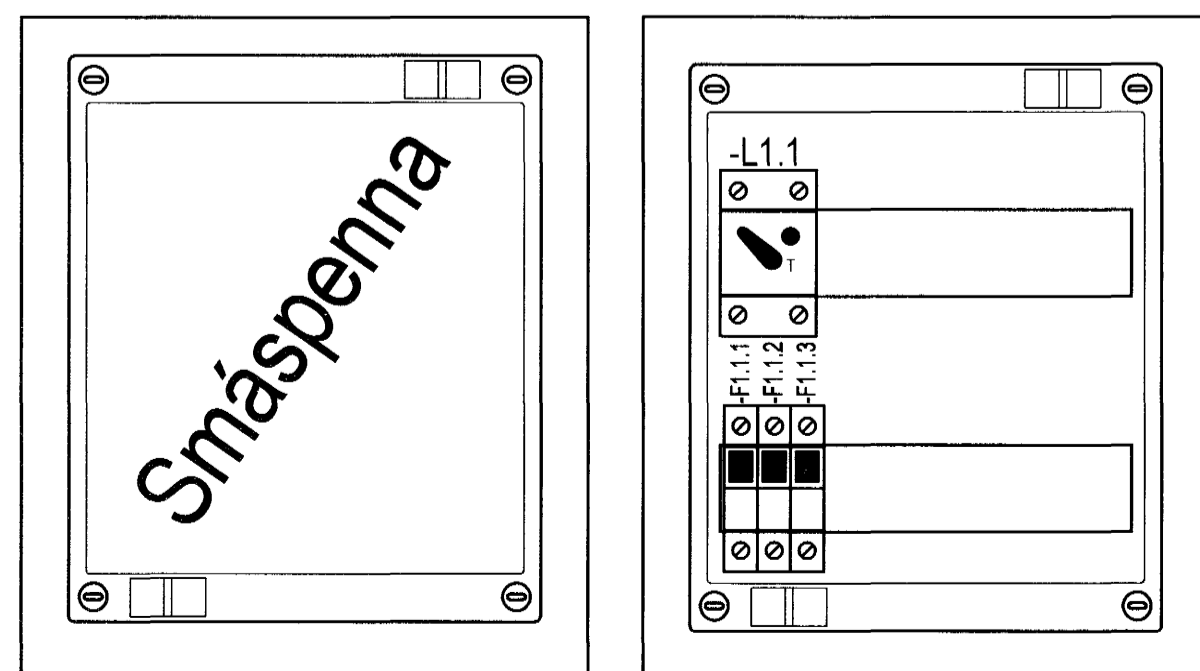


Greinatöflur sameign

Íbúð	Tafla	Íbúð	Tafla	Same. Tafla	Sam. Tafla	Íbúð	Tafla	
04-07	T4.1	04-08	T4.2	T4.5	04-09	T4.3	04-10	T4.4
03-11	T3.1	03-12	T3.2	T3.5	03-13	T3.3	03-14	T3.4
02-11	T2.1	02-12	T2.2	T2.5	02-13	T2.3	02-14	T2.4
01-07	T1.1	01-08	T1.2	T1.5	01-09	T1.3	01-10	T1.4
				T0.1				



Tillaga að uppröðun í greinatöflum sameign



Hönnuður:

Gunnar Sverrisson

Yfirfarir:

Samþykkt. *[Signature]* kt 100356-3339

Breytingar:

17.01.2005 Ýmsar breytingar

Fjölbýlishús

Herjólsgata 40
220 Hafnarfjörður

Einlínamyndir greinatöflum sameign.

Mkv:

RTS

VERKFRÆDISTOFA

Grensásvegur 3
108 Reykjavík
Sími 520 9900
Fax 520 9901
www.rts.is



83-1535-1-

27.05.2004

xx1104

B1

Mælstika cm 0 5 10 15 20