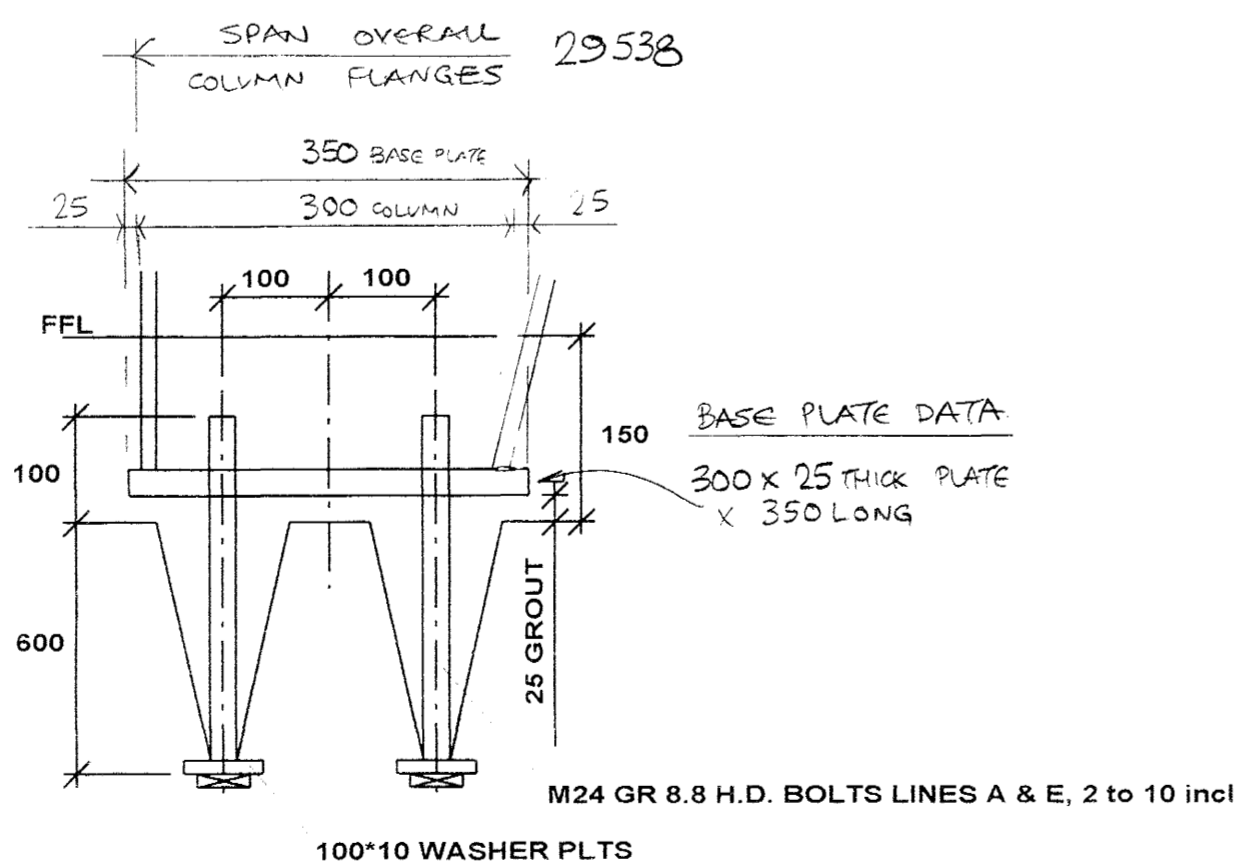
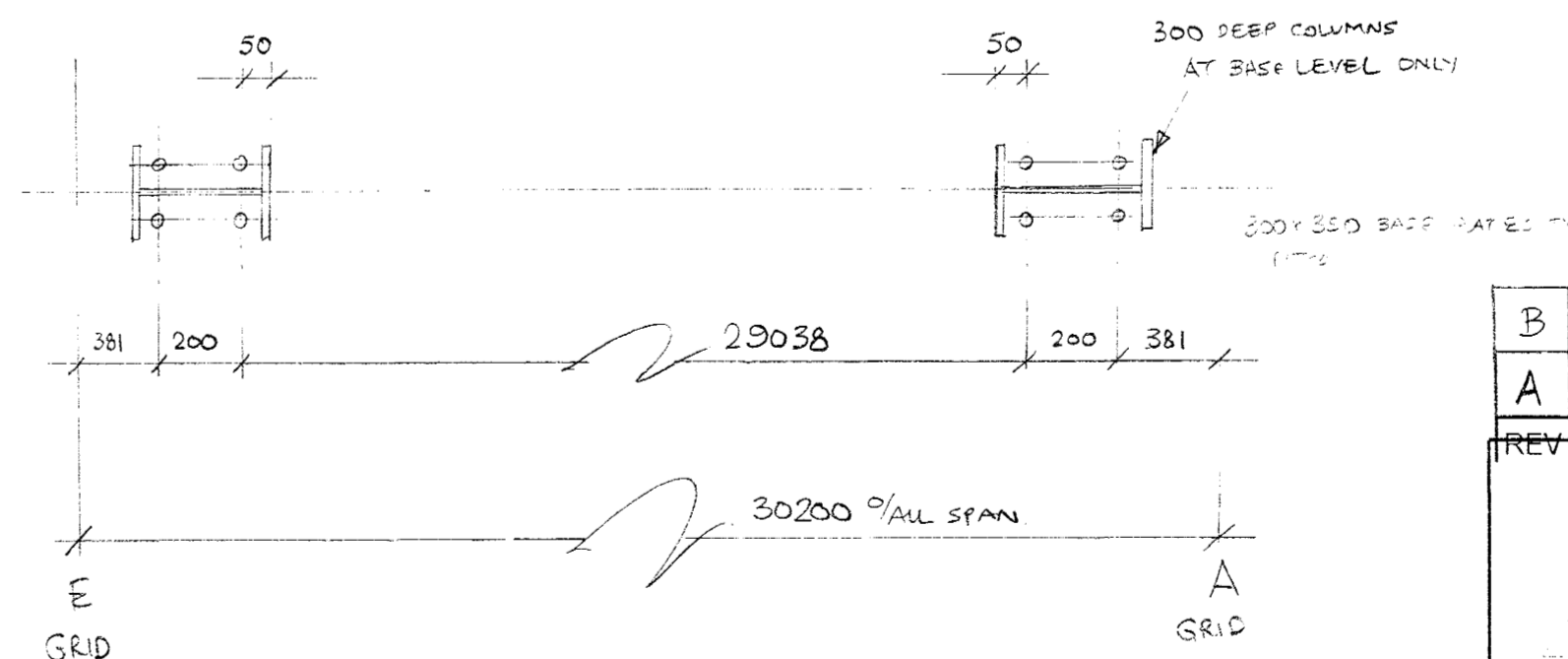


BASE DETAIL GENERAL U N O



PORTAL FRAME BASE LINES A & E, 2 to 10 incl



ANCHOR BOLT POSITION CHECK DIMENSIONS
GRIDS 2-10 ONLY

MARKING PLAN ONLY

Verkeðbistofa
Hauk & Asgeirsson ehf.
26.00.000

REV	DATE	DESCRIPTION
B	27.10	BASE CHECK DIMIN DIAGRAM ADDED
A	4/8/04	MARKS ADDED
<p>WARD ATLAS BUILDING SYSTEMS LTD</p> <p>SHERBURN, MALTON NORTH YORKSHIRE, YO17 8PZ, ENGLAND, TEL: (01944) 710000 FAX: (01944) 710907</p>		
PROJECT STEINHELLA 10		SCALE 1/125
		FAB SYM
DRAWING TITLE BASE PLAN		CONTRACT NO 04001
DRAWN BR	DATE 10.07.2004	CHKD DATE
DRAWING No 2		REVISION B

