

POST BASE DETAIL LOCAL TO E1

BASE DETAIL AT E1

BASE DETAIL AT E2 TO E10 INCL

DOOR POST BASE DETAIL LINE E [3NO.]

BASE DETAIL AT E11

BASE DETAIL AT B1,C1,D1,B/ C1,C/ D1

BASE DETAIL AT B2,C2,D2,B3,C3,D3

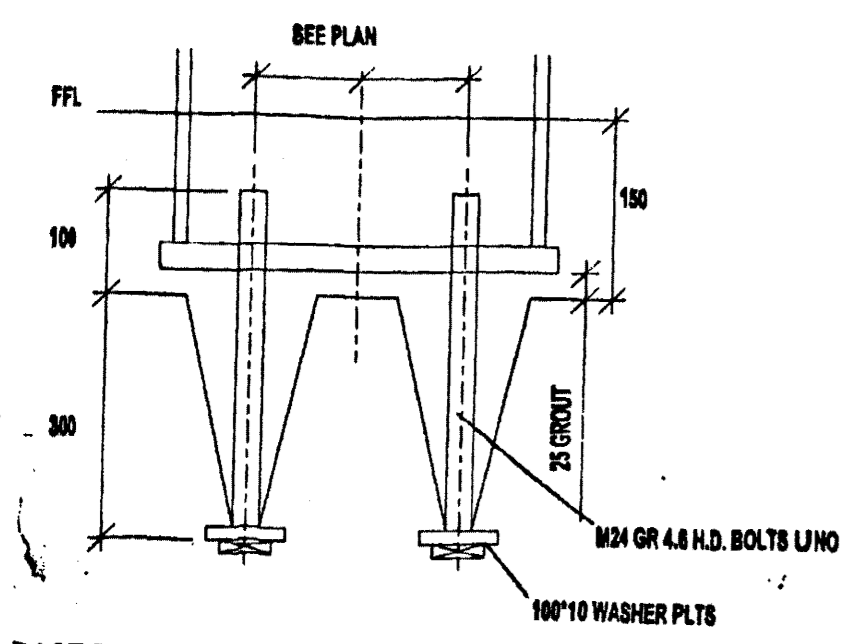
BASE DETAIL AT B11,C11,D11

POST BASE DETAIL LOCAL TO A1

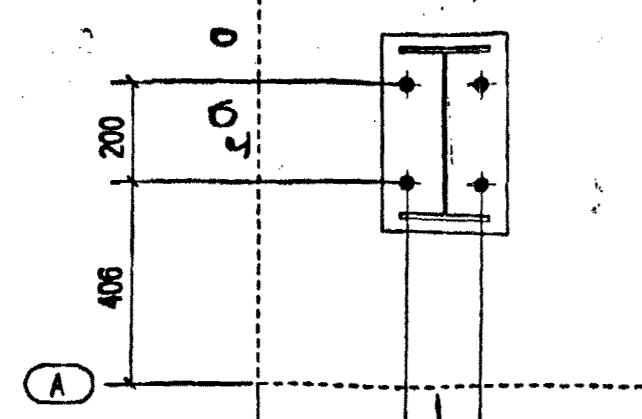
BASE DETAIL AT A1

DOOR POST BASE DETAIL LINE A [3NO.]

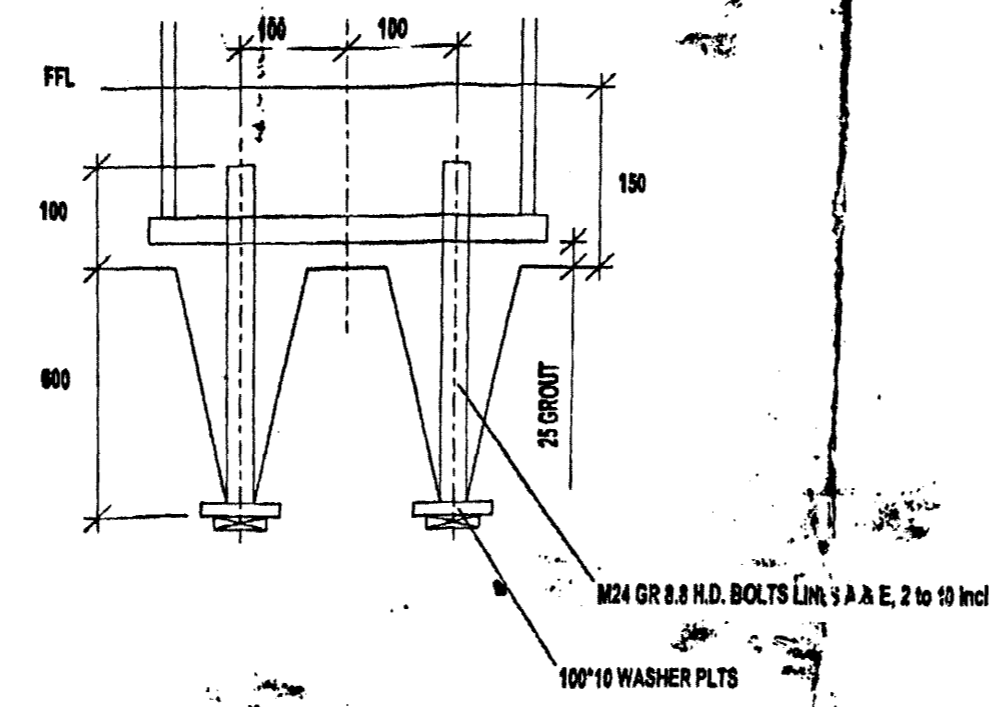
BASE DETAIL AT A11



BASE DETAIL GENERAL U N O



BASE DETAIL AT A1



PORTAL FRAME BASE LINES A & E, 2 to 10 INCL

BASE DETAIL AT A2 TC A10 INCL

REV		DATE	DESCRIPTION	DETAILS ADDED	
PROJECT: STEINHELLA 10					
DRAWING TITLE: BASE PLAN			CONTRACT NO: 04001		
DRAWN: BR		DATE: 10.07.2004	CHKD:	DATE:	DRAWING No: 2
				SCALE: 1/125	FAB SYM:
QUOTE No/PROJECT No:					
REVISION: A					

