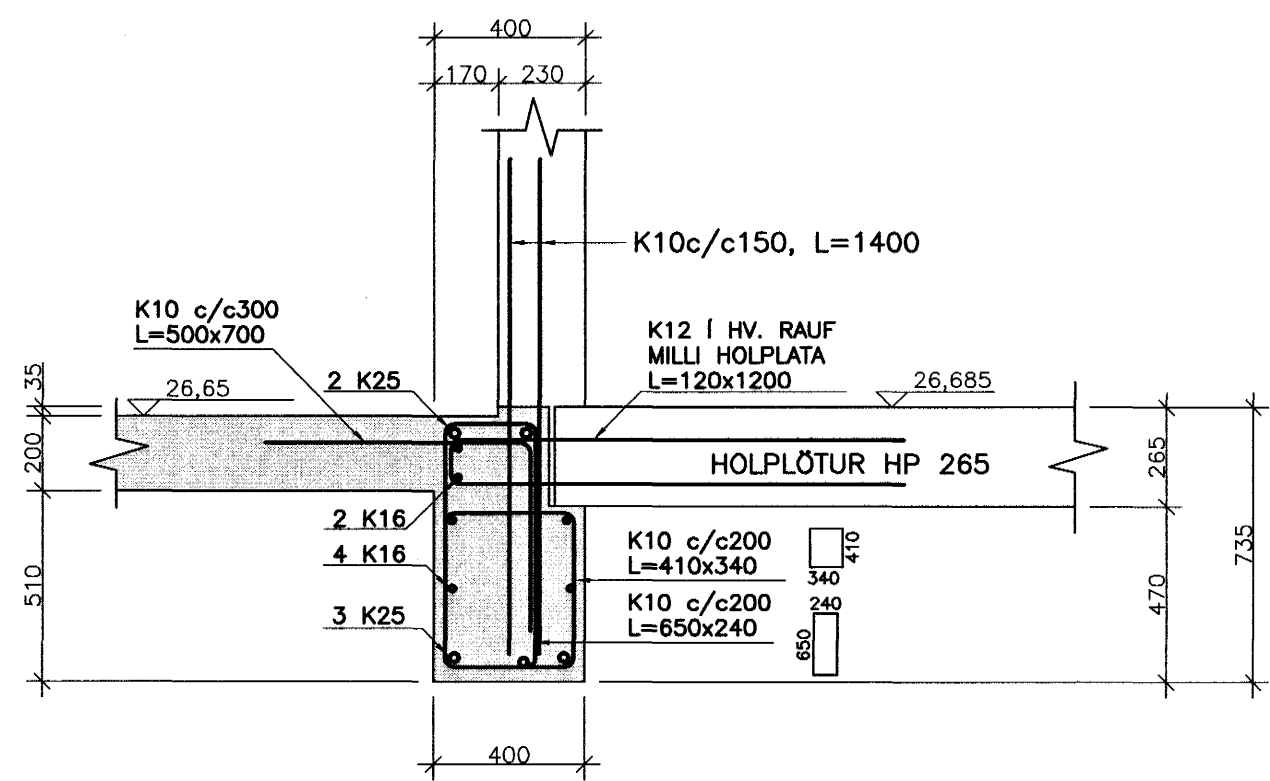
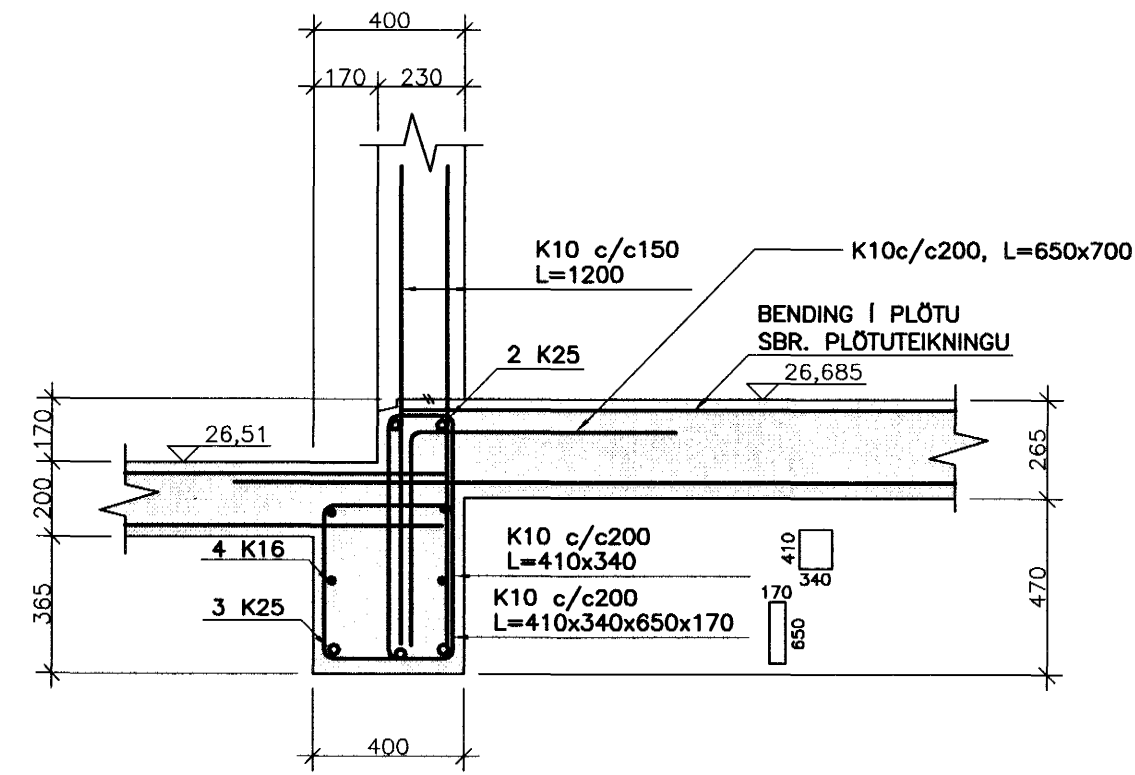


SNID Í PLÖTU YFIR KJALLARA 1:20

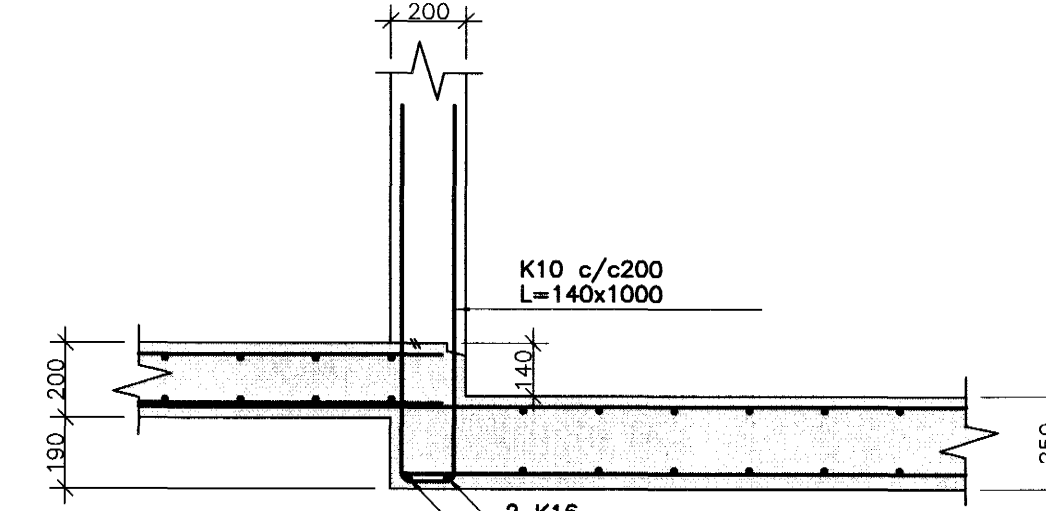
SNID B
1:20
B21
B22



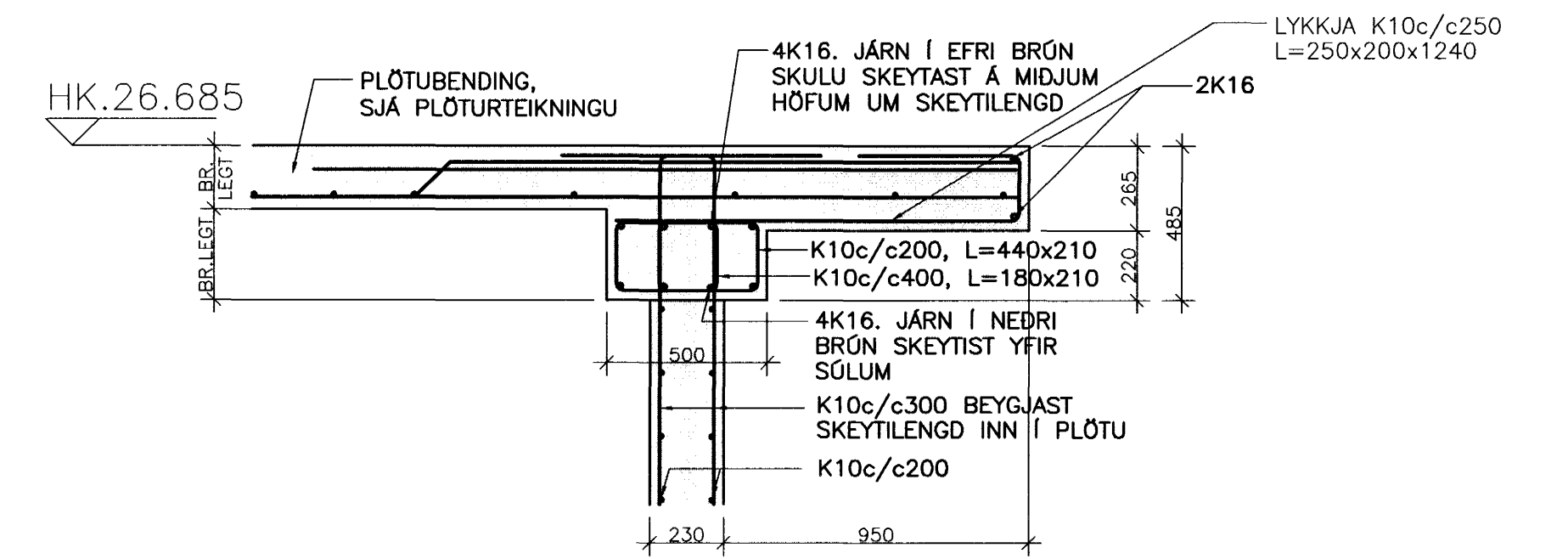
SNID C
1:20
B21
B22



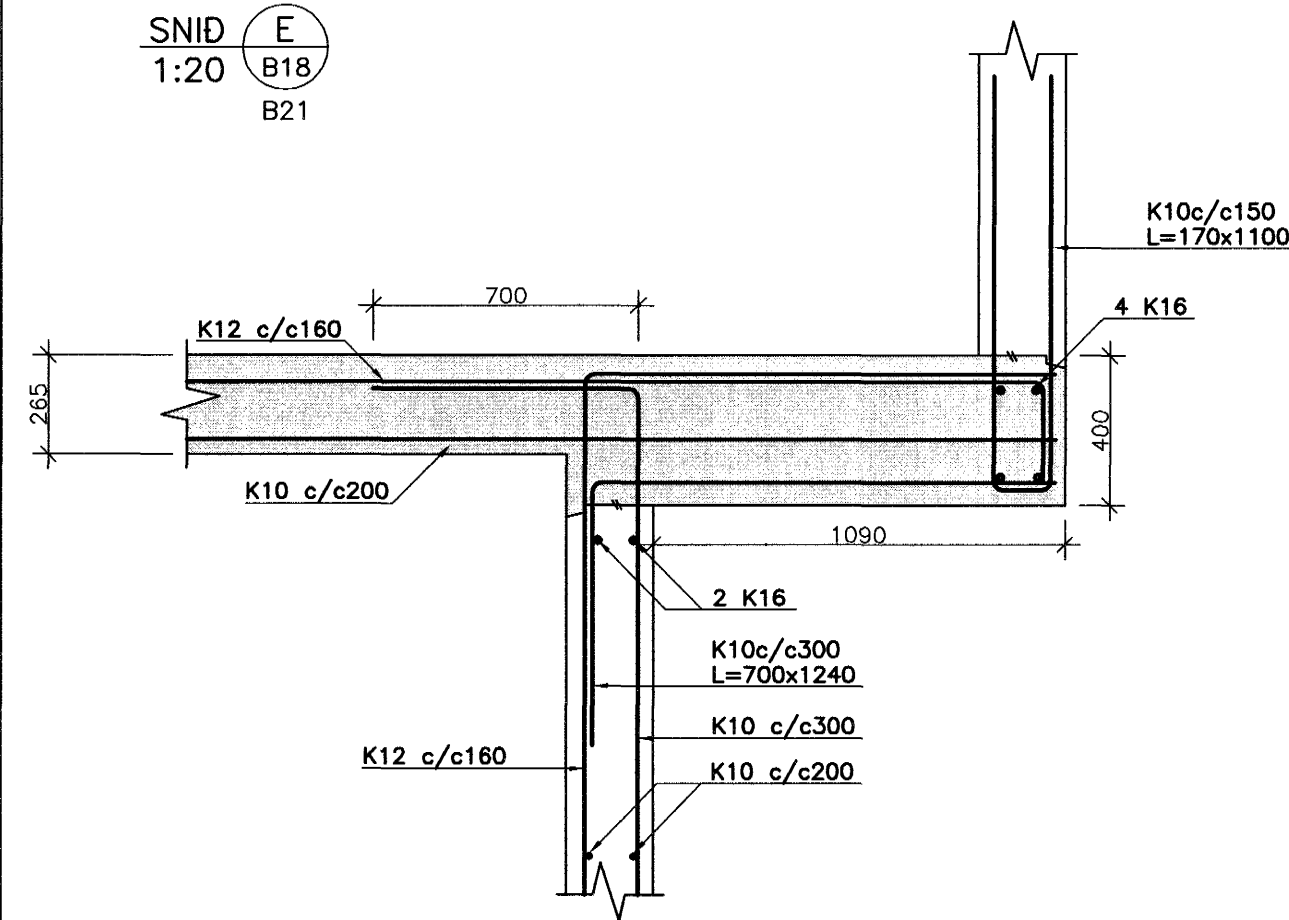
SNID D
1:20
B21
B22



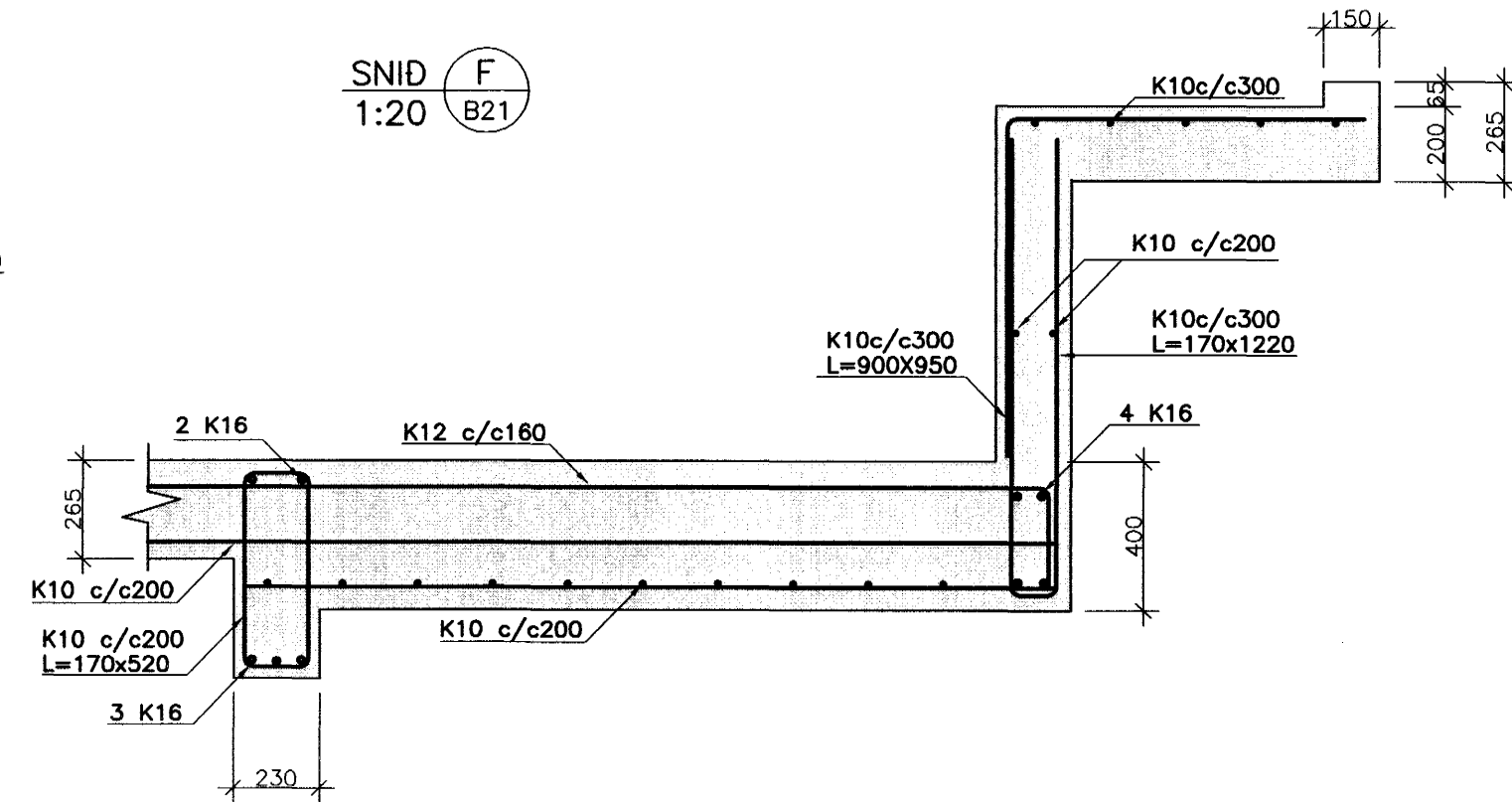
SNID O
1:20
B18-21



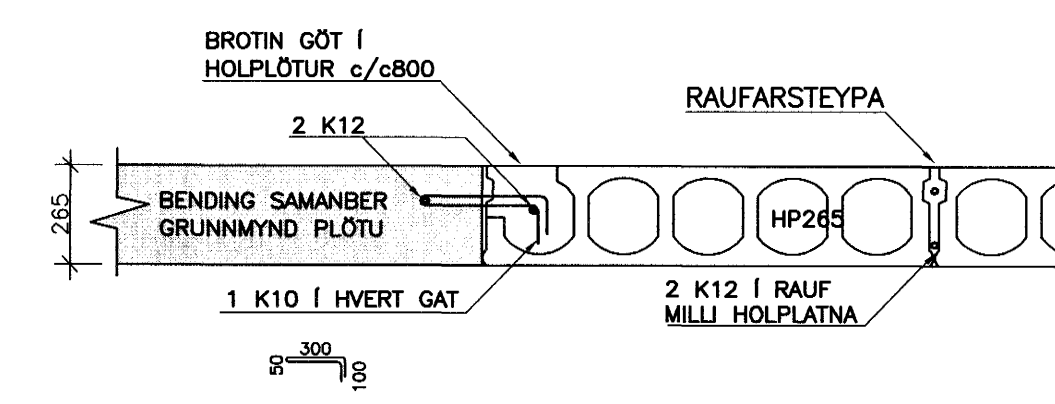
SNID E
1:20
B18
B21



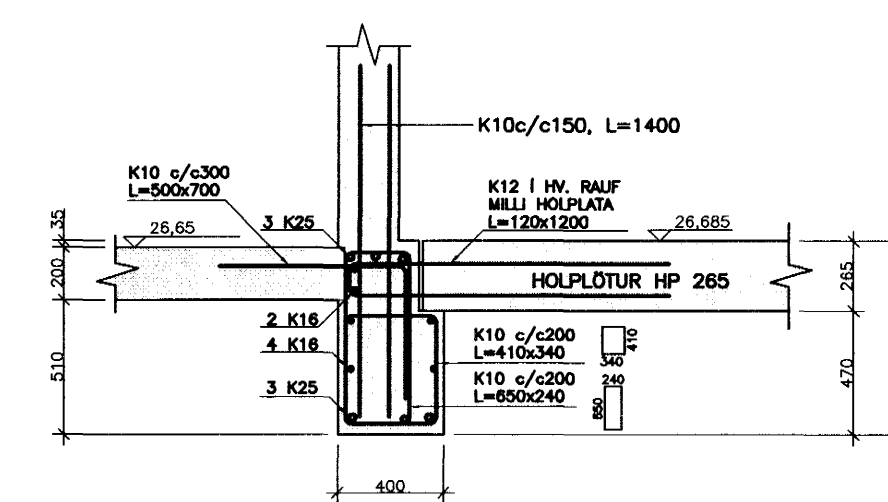
SNID F
1:20
B21



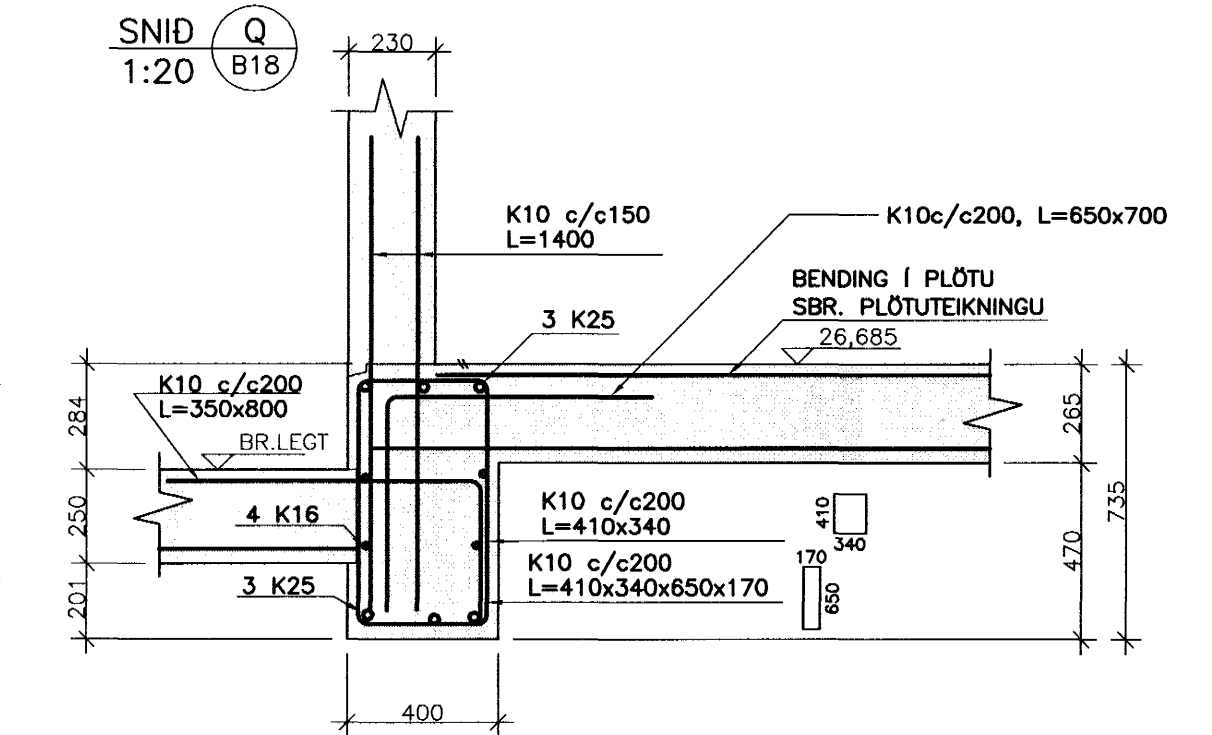
SNID K
1:20
B18-21



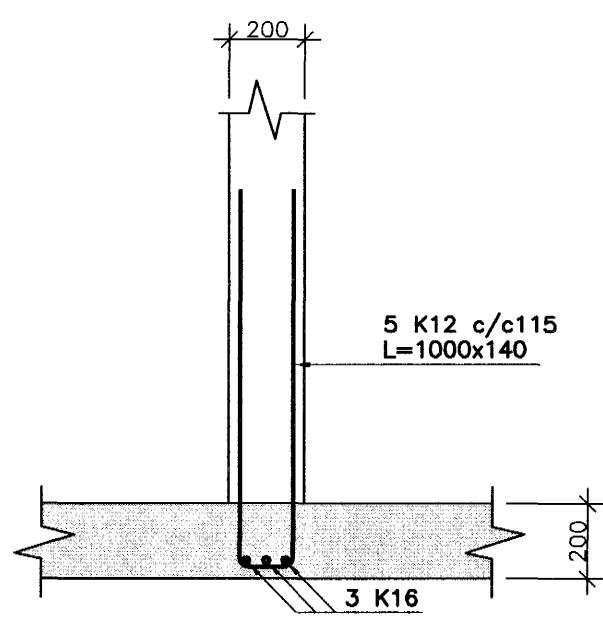
SNID P
1:20
B18



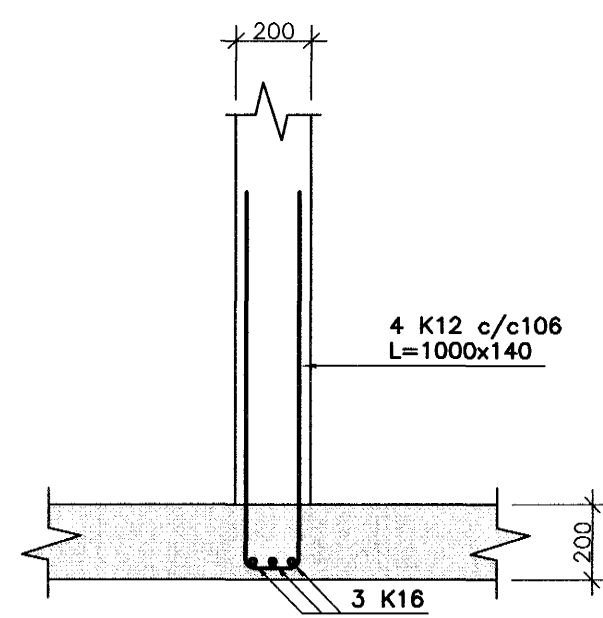
SNID Q
1:20
B18



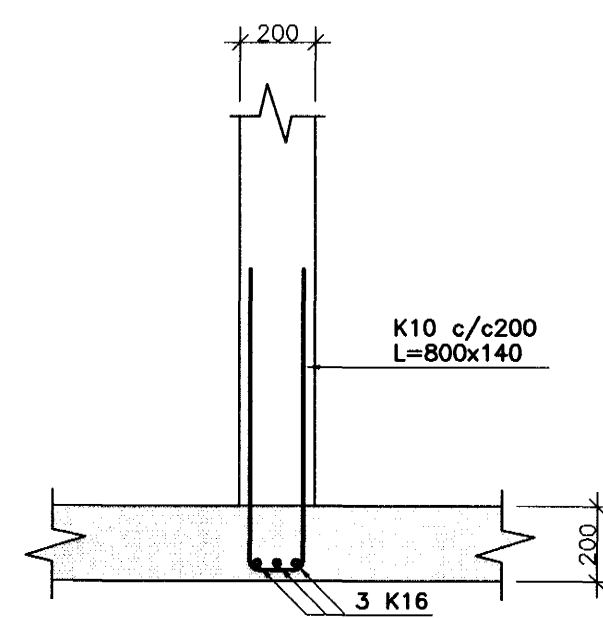
SNID G
1:20
B18-21



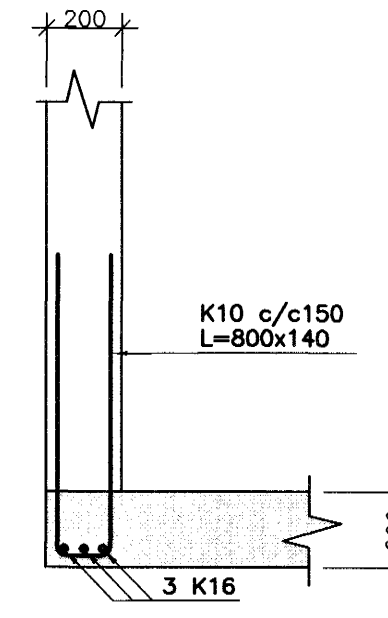
SNID H
1:20
B18-21



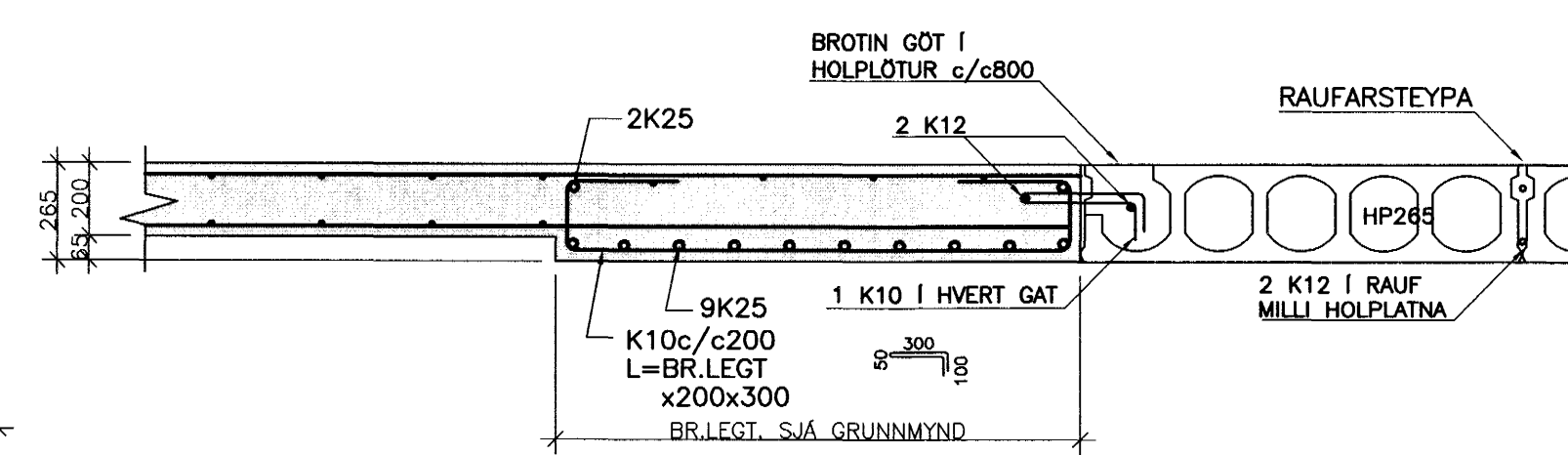
SNID I
1:20
B18-21



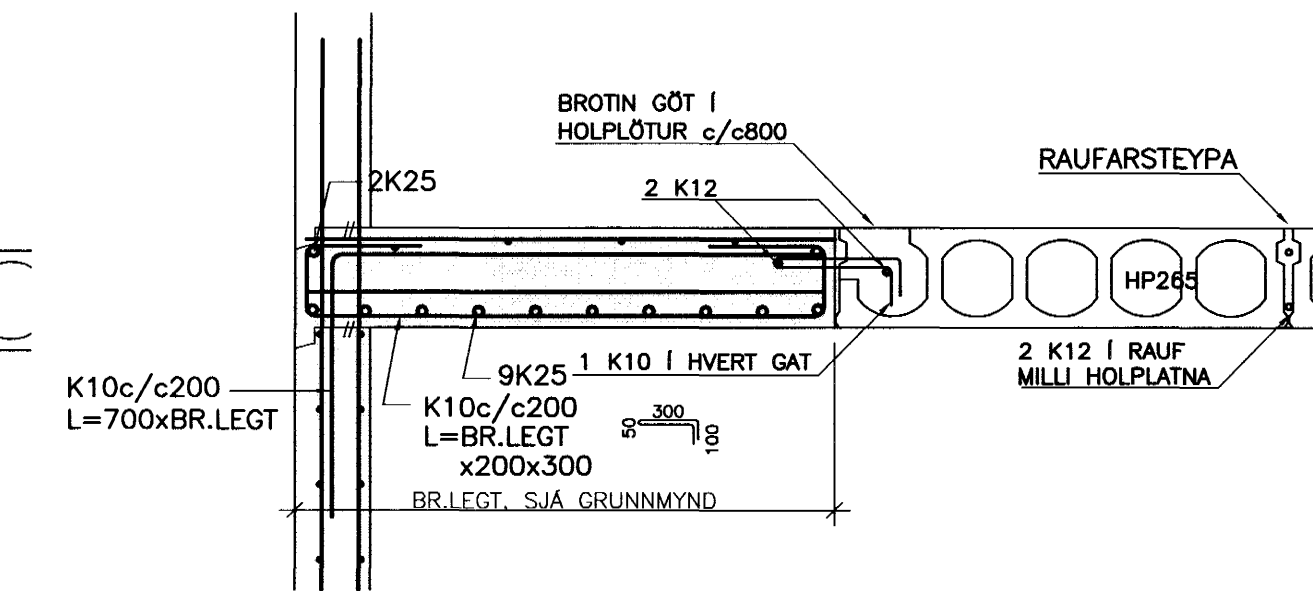
SNID J
1:20
B18-21



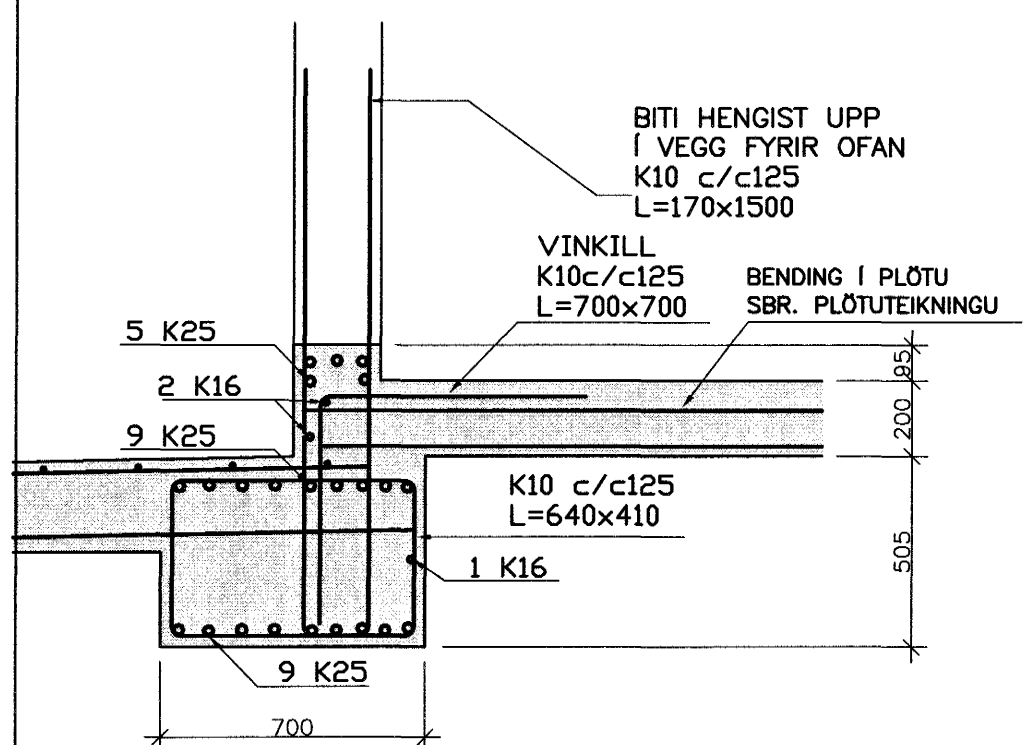
SNID R
1:20
B18-21



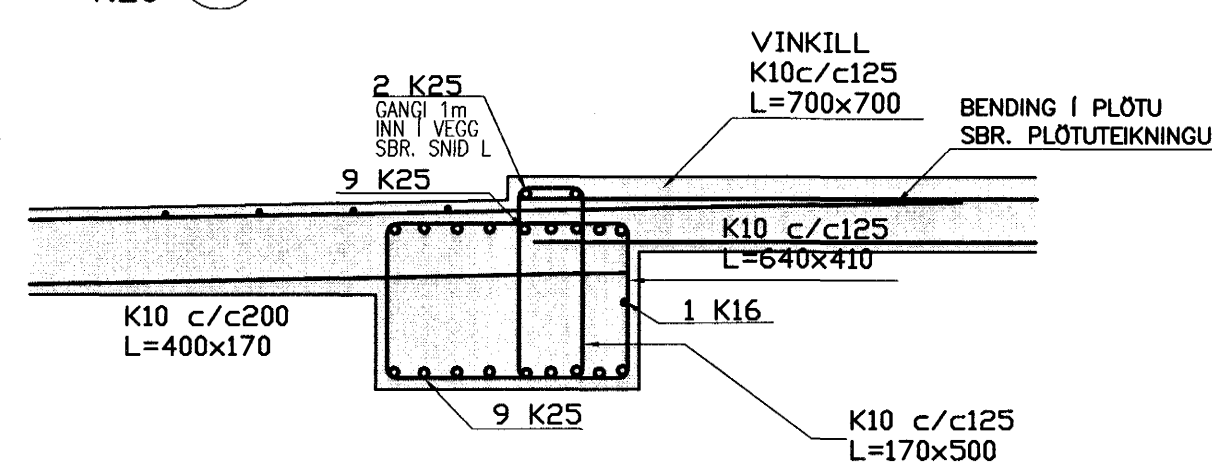
SNID S
1:20
B18-21



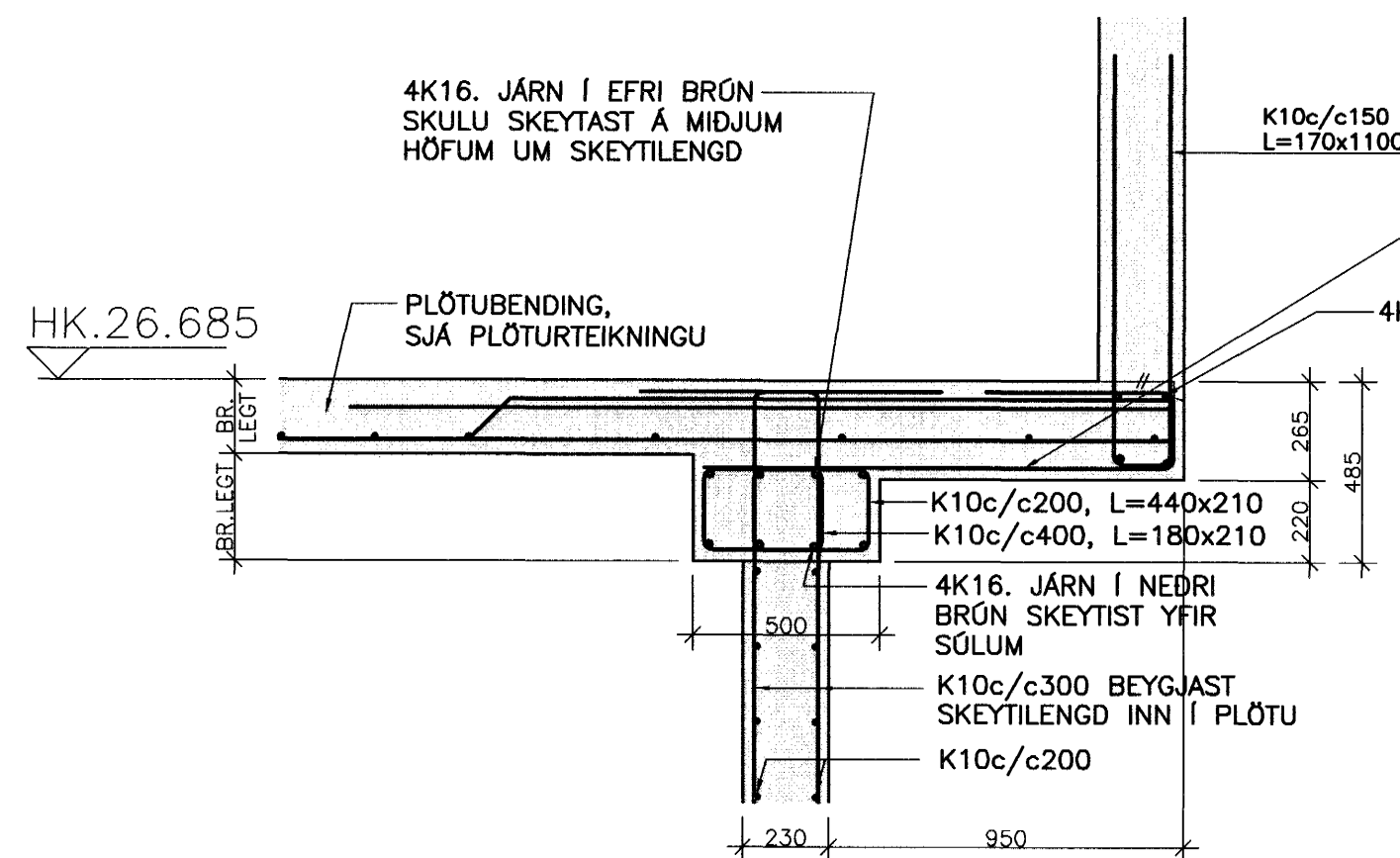
SNID L
1:20
B21



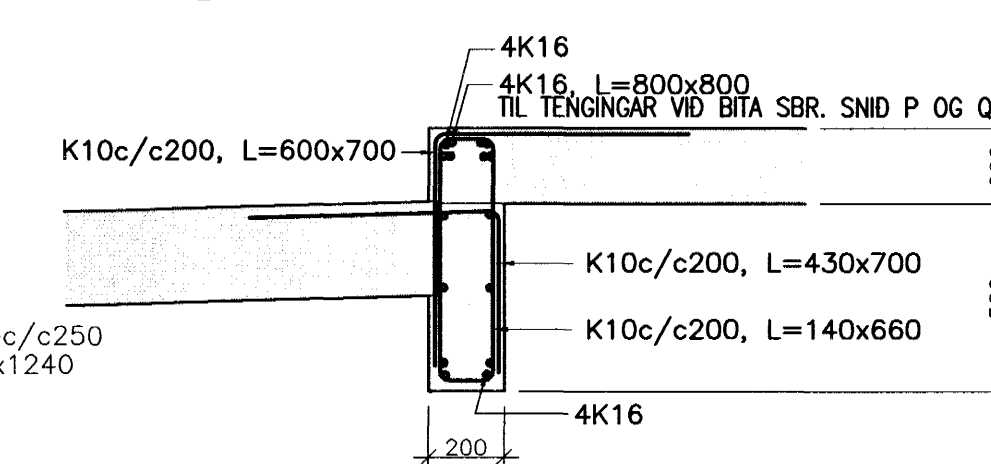
SNID M
1:20
B21



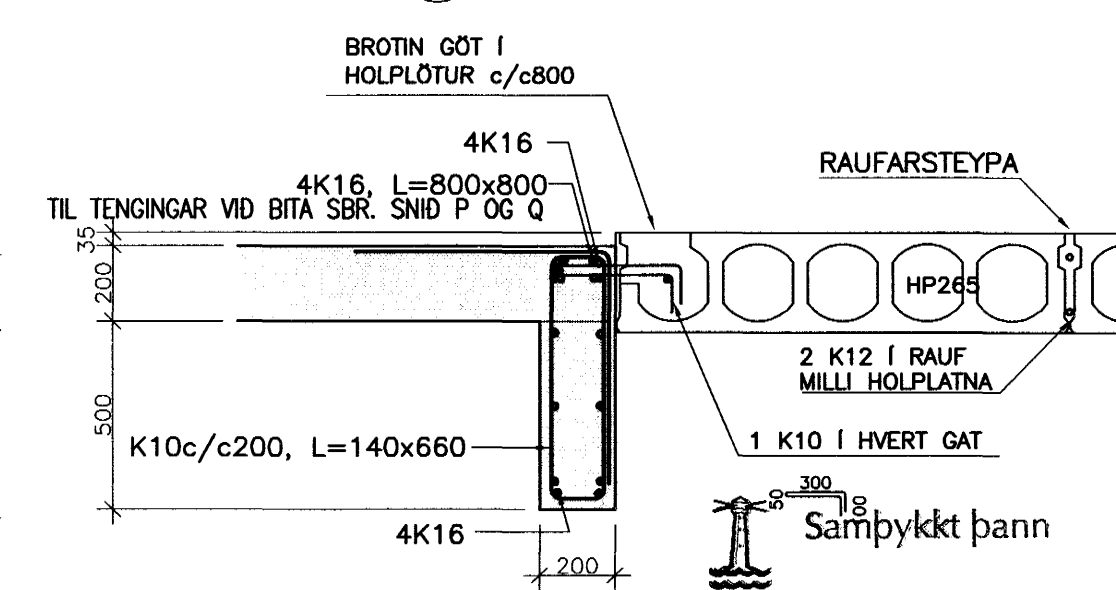
SNID N
1:20
B18-21



SNID T
1:20
B18



SNID U
1:20
B18



GTG. DACS. BREYTING:		HANNAD		SAMP.	
DALSHRAUN 1 HAFNARFIRDI		BURDARVIRKI PLATA YFIR KJALLARA SNID B-U		Áritun lögg. hönnuða: Björn Guðafasson, Kt.:180550-4859.	
VSB VERKFRÆDISTOFA		Hönnad: BG		Teiknad: BG/JJR	
BÉJARHRAUN 20*220 HAFNARFJÖRDUR Heimasíða: www.vsb.is • Netfang: vsb@vsb.is Sími:585-8600 Fax: 585-8610 Kt.:710796-2899		Mál: 1:50		Yfirarið: BG	
Dags: 01.09.04		Nr: 03841-B26			