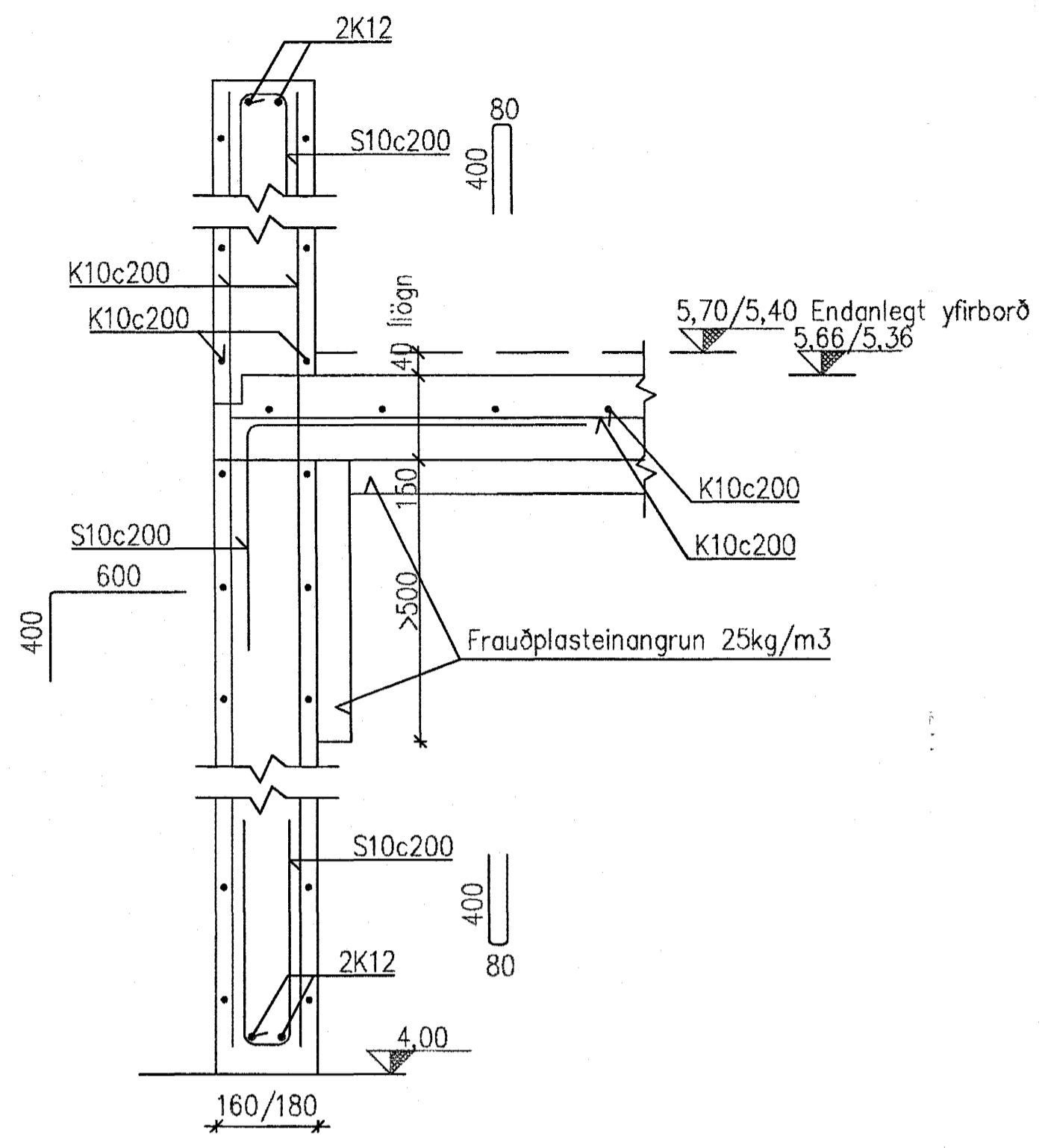
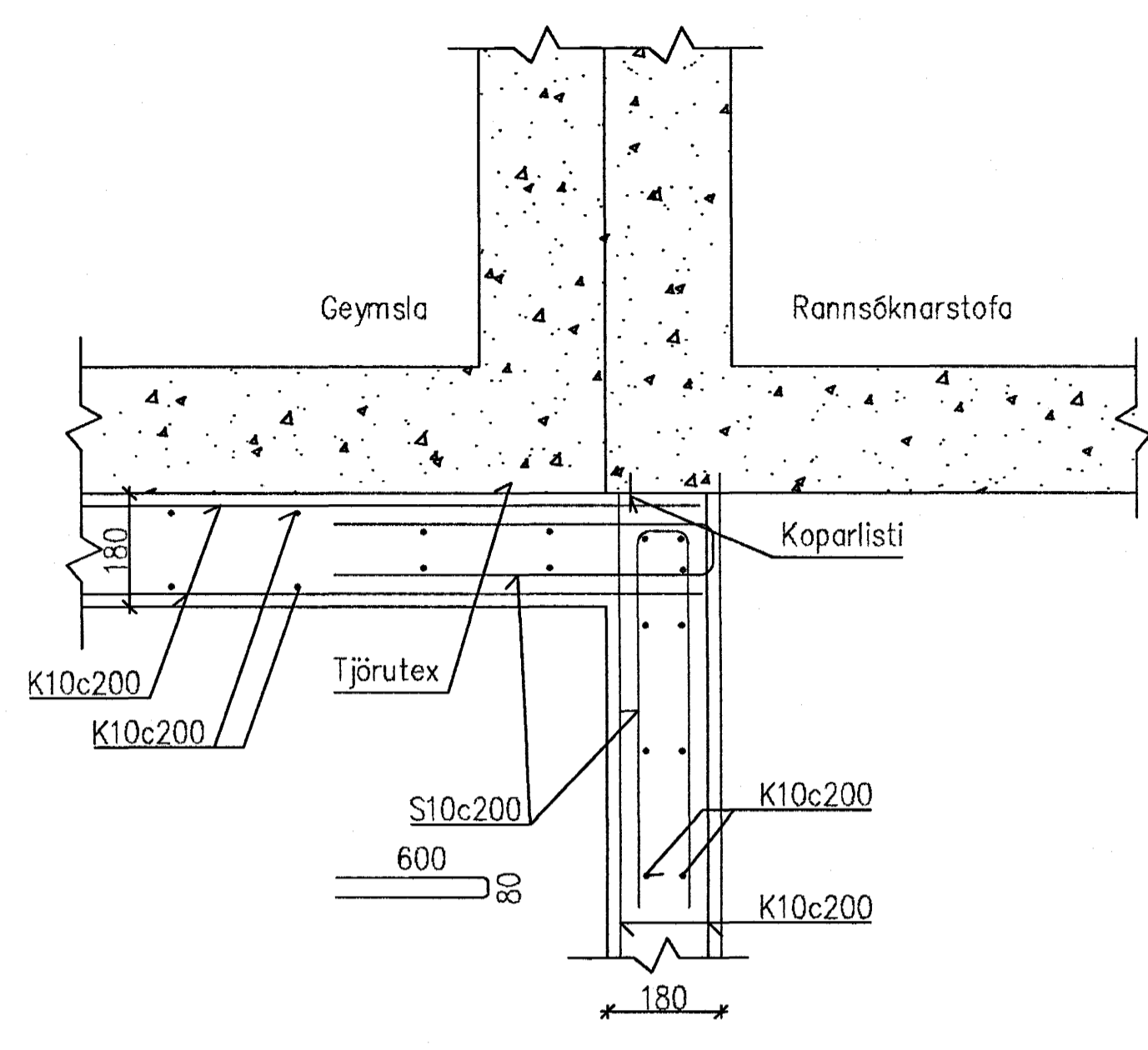


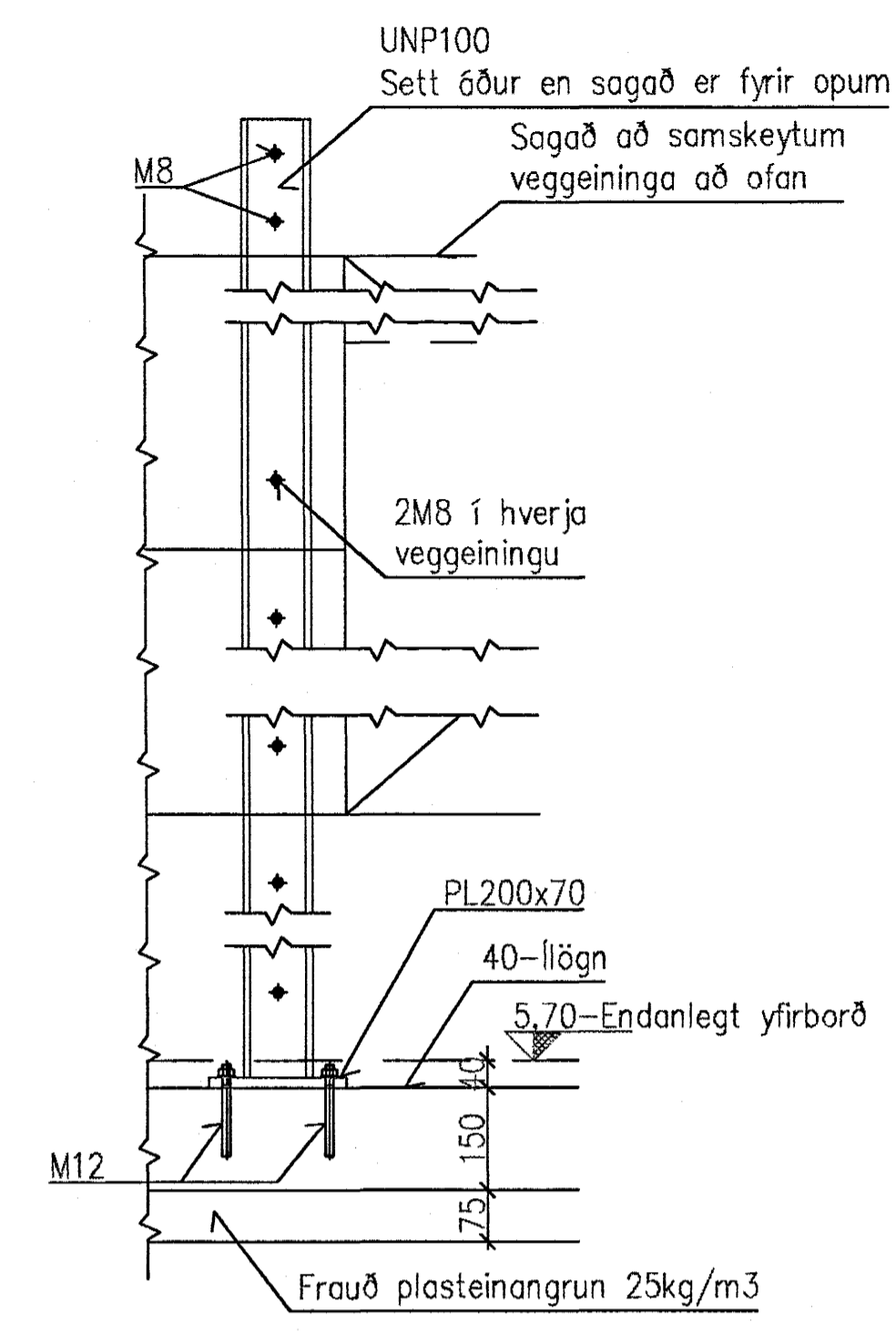
A SNIÐ Í VEGG
601



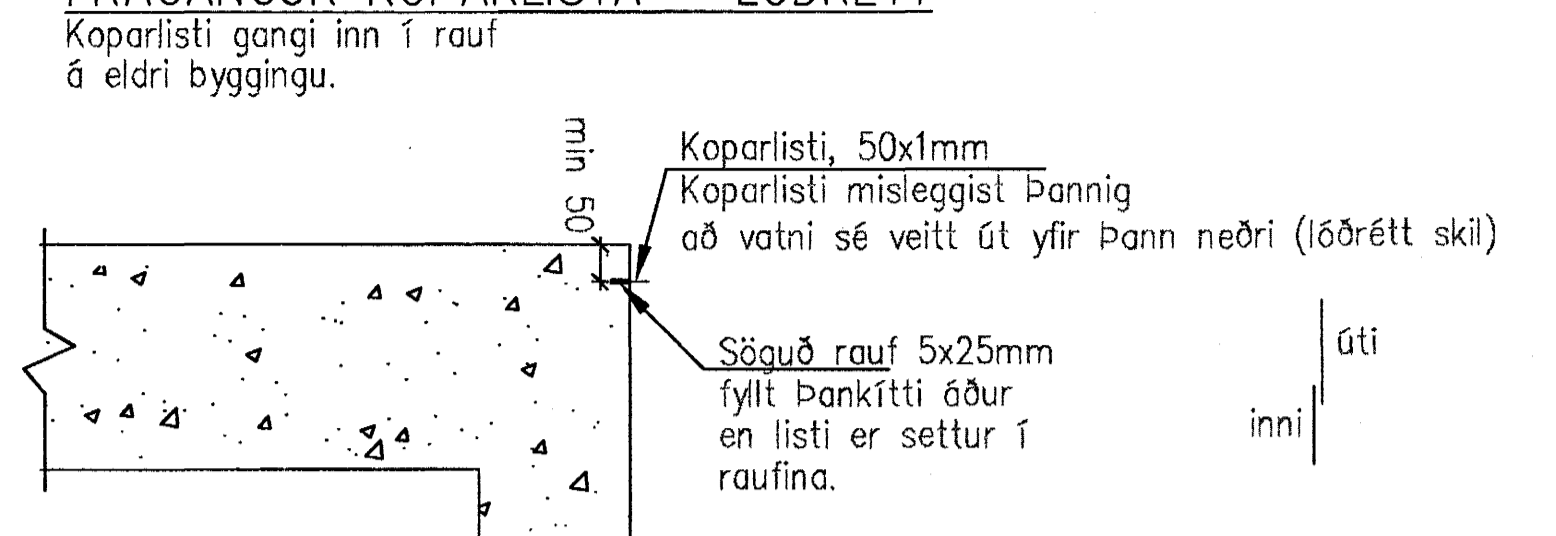
C
602



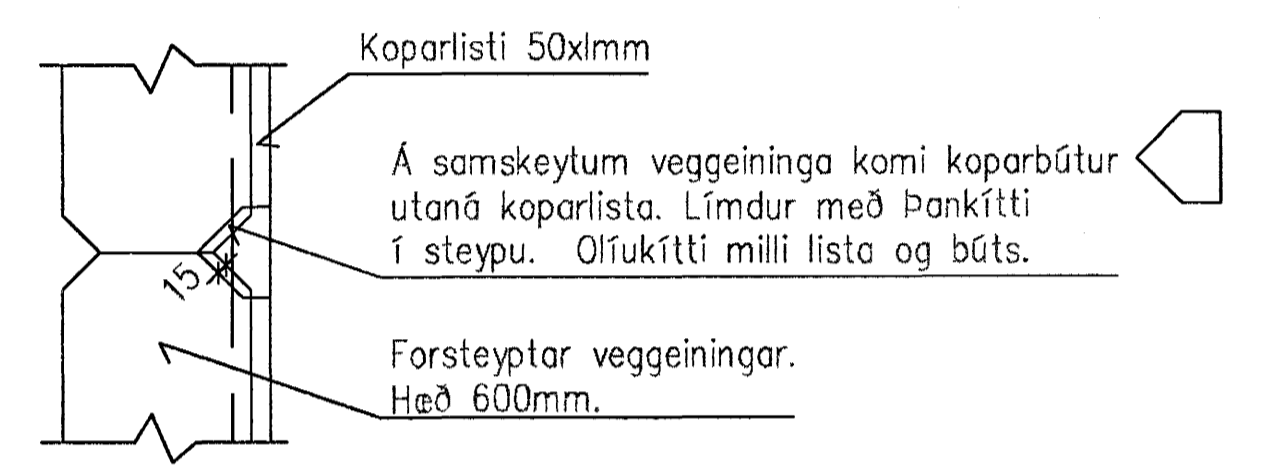
E
602



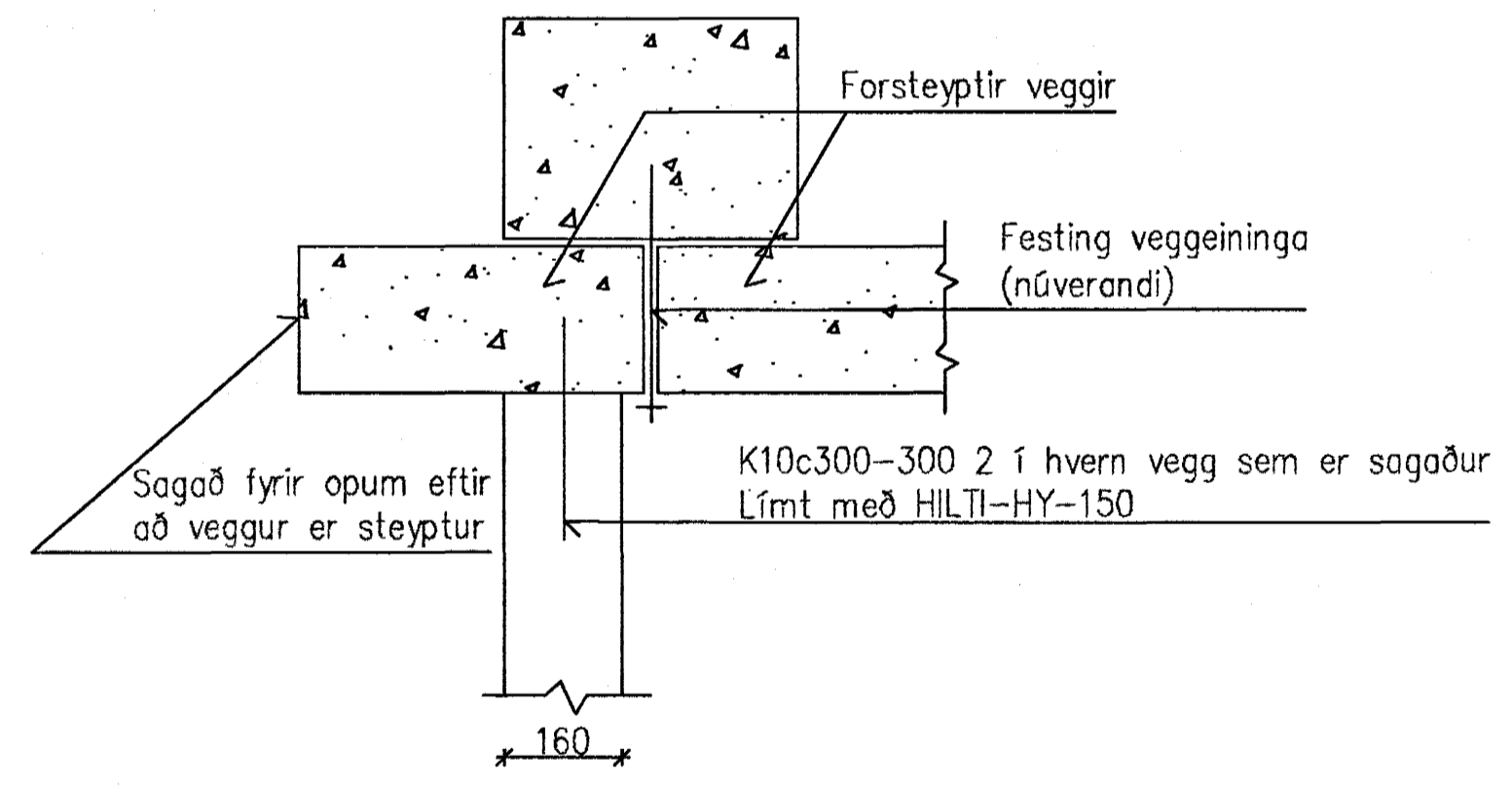
FRÁGANGUR KOPARLISTA – LÖÐRÉTT



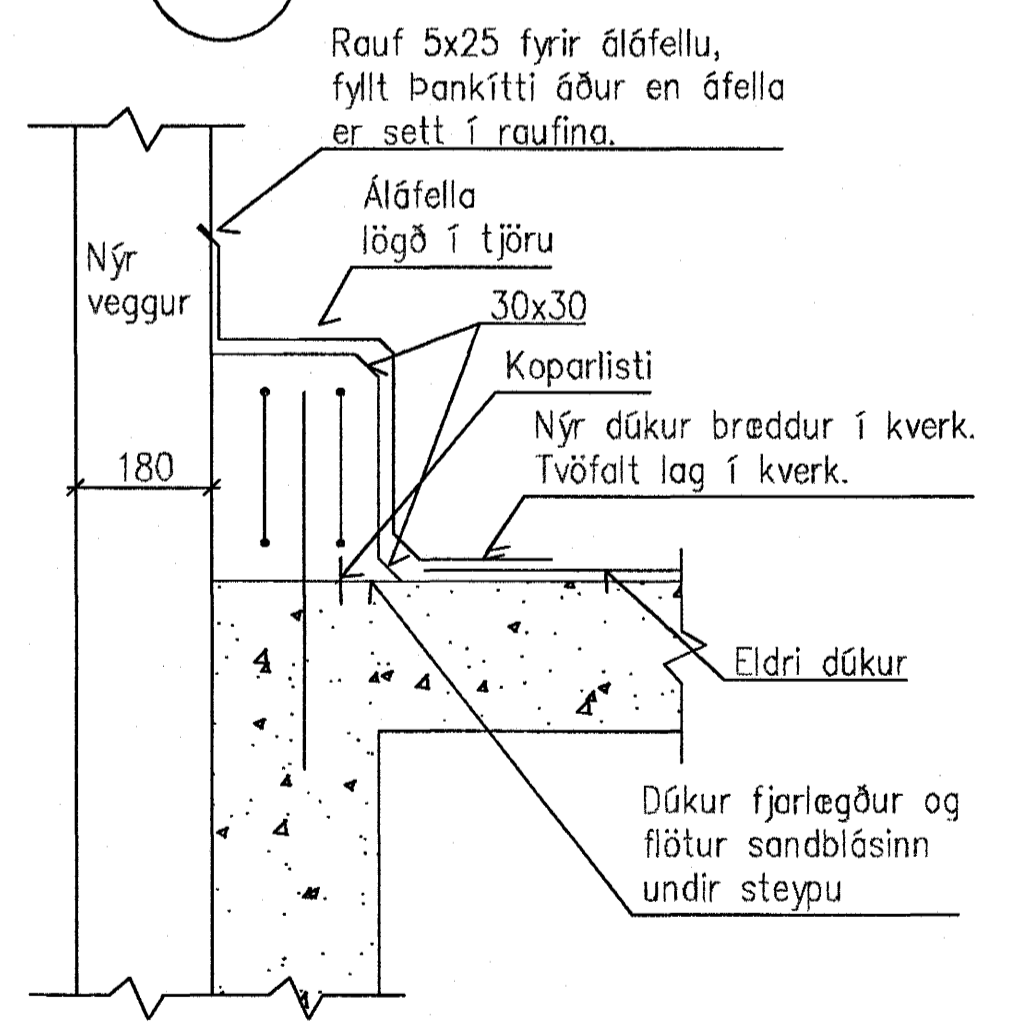
FRÁGANGUR KOPARLISTA – SAMSEYTI VEGGEINGA



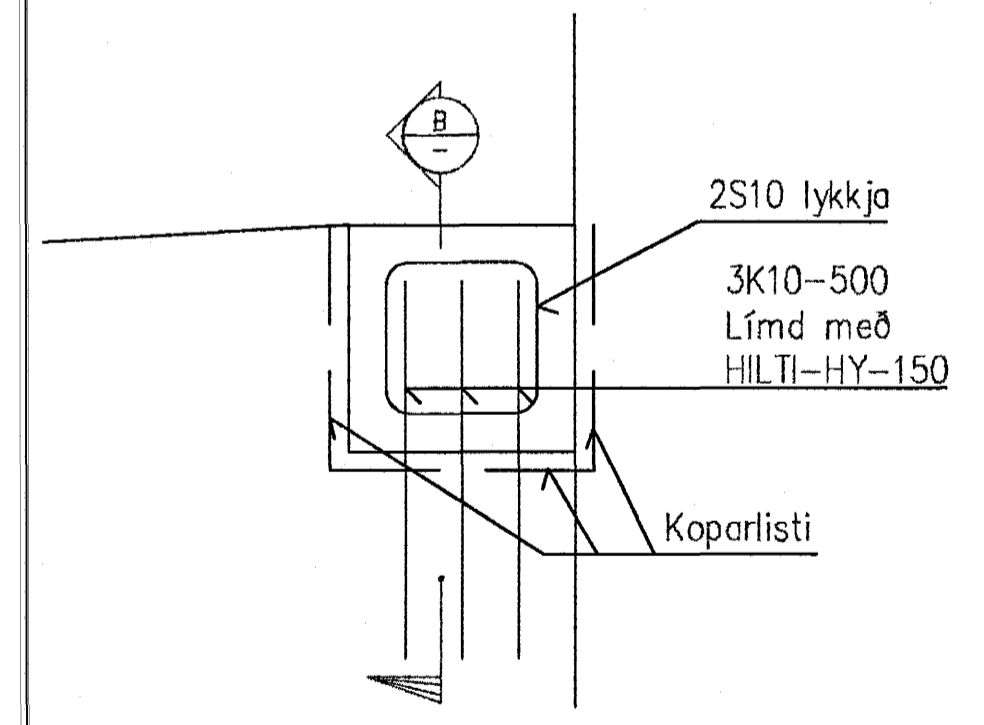
D
602



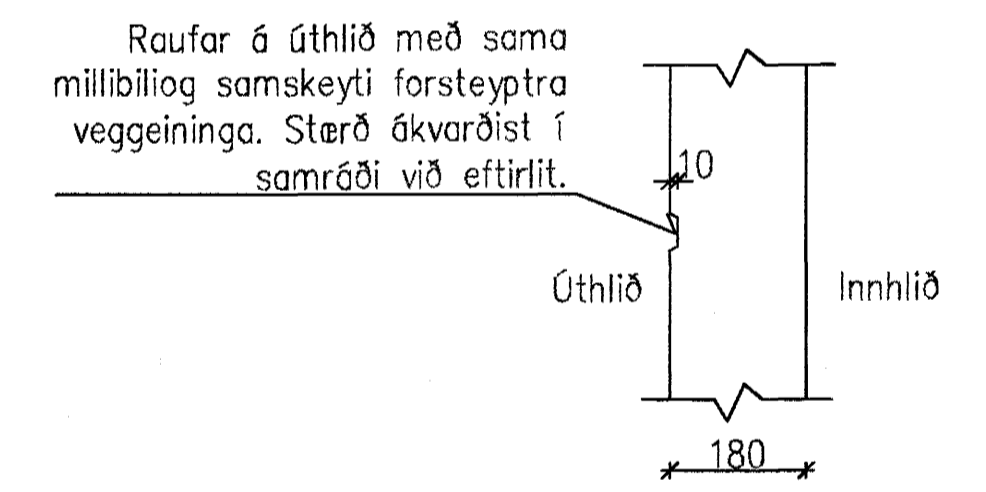
B



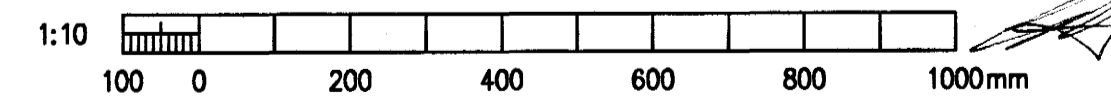
F FRÁGANGUR Á SKOTRENNU
VIÐ ELÐRI BYGGINGU
(Nýr veggur ekki sýndur)



RAUFAR Í STEYPU



Byggingaáhrifur Hafnarfjarðar
Ályuett þann
22 JUNI 2004
HÓ



Skýringar:
Explanations:

This drawing is the property of the ICELANDIC ALUMINIUM CO. LTD. and handed out for personal use only. It may neither be copied nor made available to others without permission of the ICELANDIC ALUMINIUM CO. LTD. The receiver is liable for any misuse.	FRIÐI stökja Number of pieces		Hlutur Object		Aftir Item		Efni Material		eo.:stk Weight (kg)		lota:í heild Byggt		Athugasemdir Remarks	
	IV III II I		Rannsóknastofa		VST		99.110-26.03		1:10		7010 BA 1230		165495	
	EW 21.12.2000		Yfirferð Checked		NI 21.12.2000		Samþykkt Approved		algroup alusulisse		04.01.2001		GUR	
	Breyt. Rev.		Breyting Revision		Dags. Date		Samþ. Approved		Notk. heiml. Released		04.01.2001		SVS	