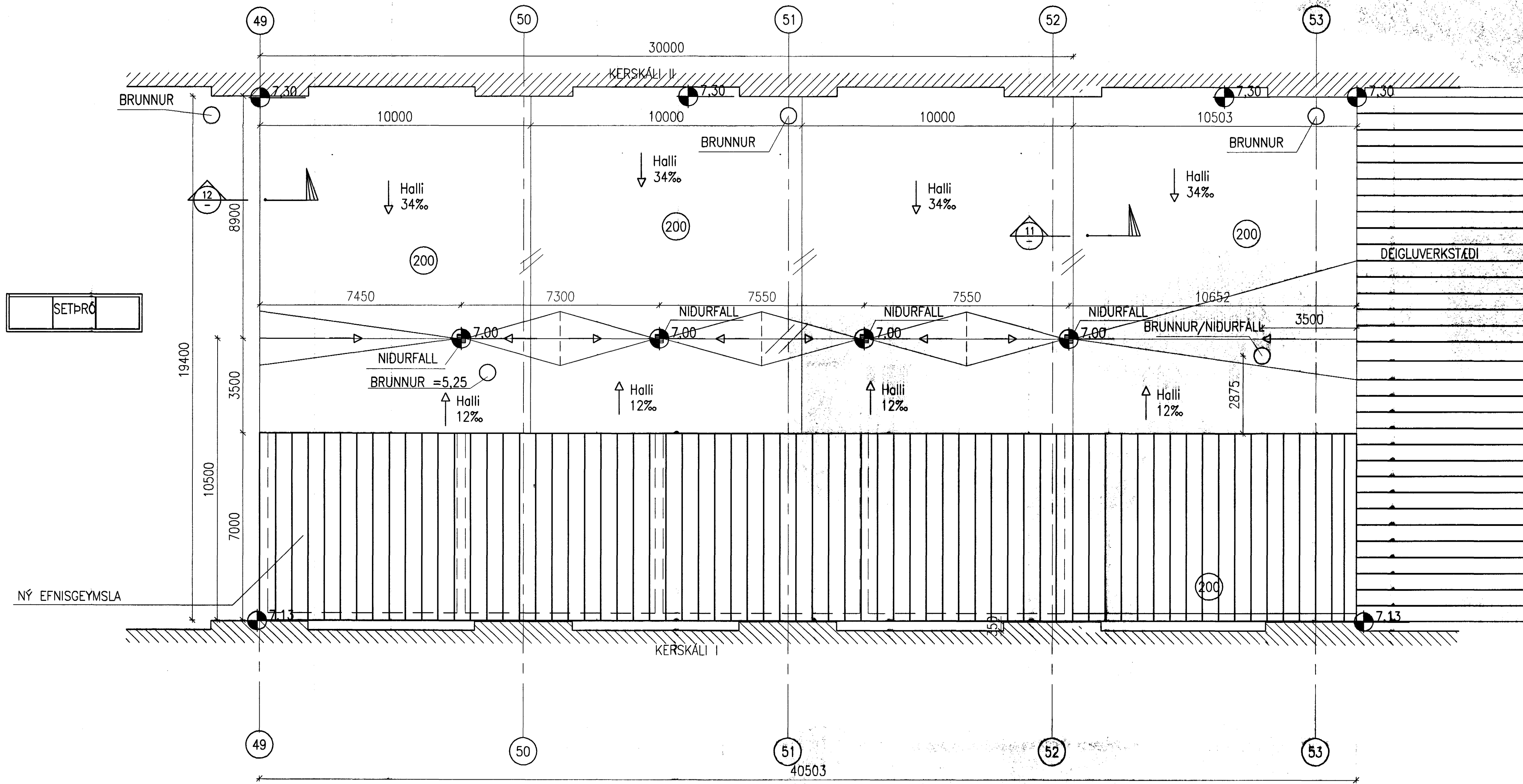
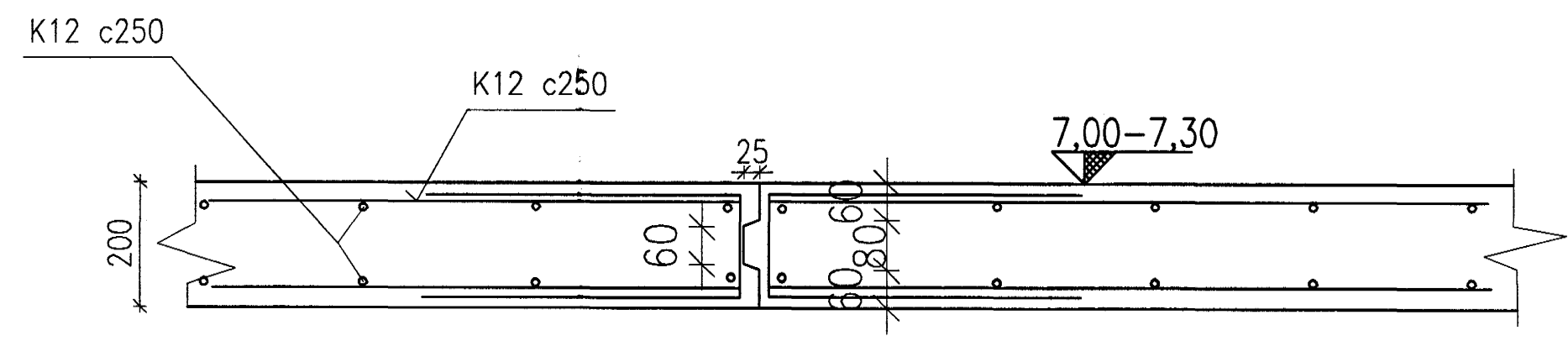


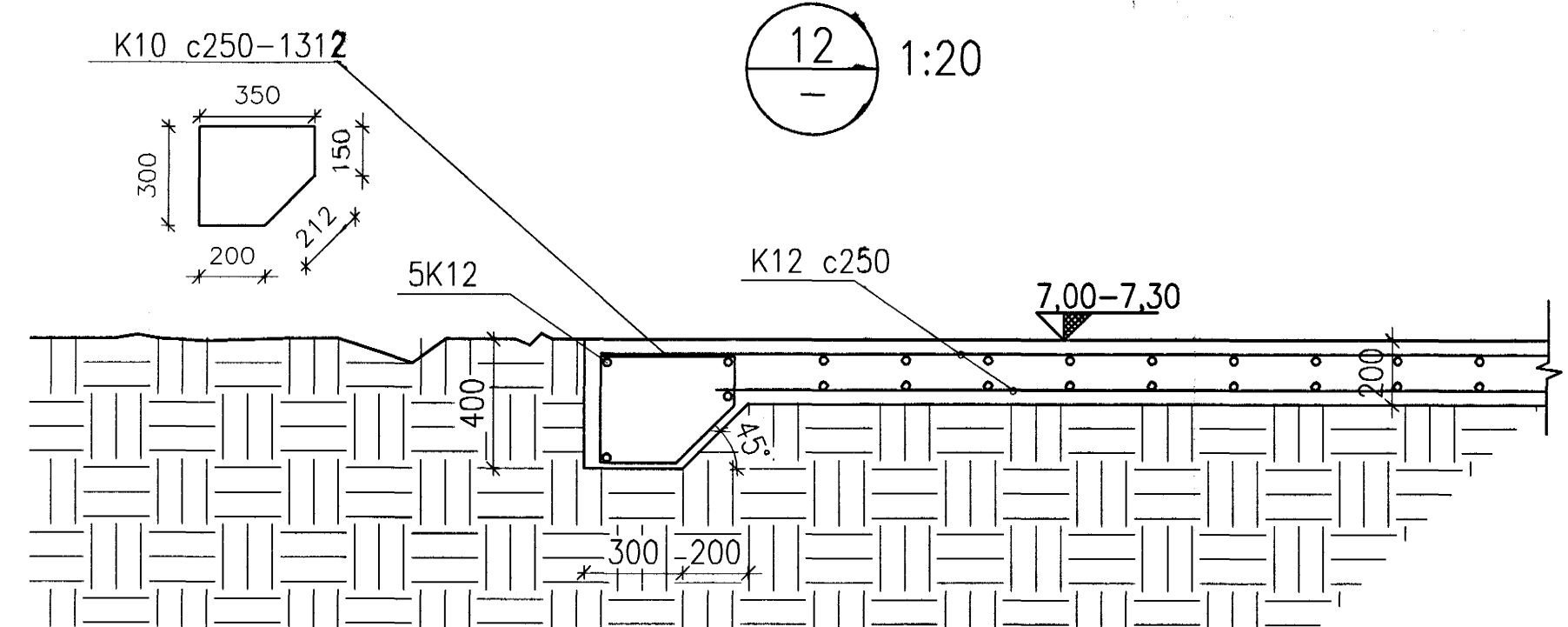
GRUNNMYND 1:100



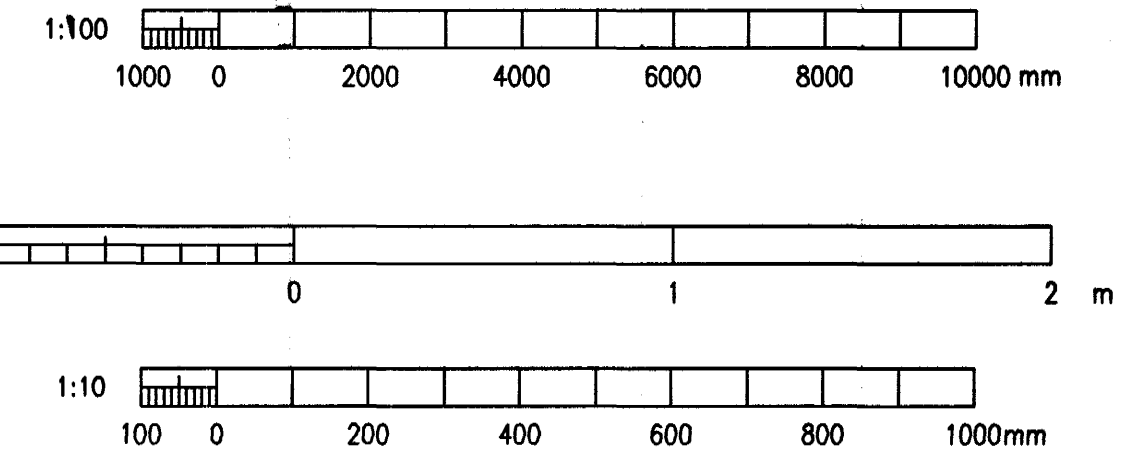
11 1:10
STEYPUSKIL PLÖTUEINGA



12 1:20
K10 c250-1312



STEYPA: C35/45
STÁL: B500C



K:\2003.01\10\05-efnisgeymsla\Teikn\168331-168336.DWG

Samþykkt þann
18 SEPT. 2003
Byggingafultrúinn í Hafnarfirði
Eh. Sigurbjartur Halldórsson

Skýringar:
Explanations:

VST Verkfræðistofa
Sigurðar Thoroddsen hf.
Arnula 4, 108 Reykjavík Sími: 569 5000 Fax: 569 5010

A	VERKTEIKNING	29.08.2003	HFB	
Breyt. Rev.	Breyting Revison	Dags. Date	Samb. Approved	Átt. heiml. Released
Tilv. teikningar nr. ISAL Ref. drawing no. of ISAL		Samsetn. teikningar nr. ISAL Assembly drawing no. of ISAL		

This drawing is the property of the ICELANDIC ALUMINIUM CO. LTD. and handed out for personal use only. It may neither be copied nor made available to others without permission of the ICELANDIC ALUMINIUM CO. LTD. The receiver is liable for any misuse.

Fjöldi stykja Number of pieces	Hlutur Object	Áriti Item	Efni Material	eo.stk Weight (kg)	Ítalaft heild Total of build	Althugasemdir Remarks
IV III II I	MILLIGEYMSLA FYRIR RAFLAUSNAREFNI MHL 87 BURDARVIRKI PLAN OG NIDURFÖLL					Mallivörð Scale Staðfrumleiðn. Format of orig. CCno.-Eq.type-Eq.no. 5026 13FB 70
VST		2003-0110/5.08 A		2003-0110/5.08 A		
Teiknað Drawn	DS / NI ágúst 2003	Virforð Checked	NI ágúst 2003	Samþykkt Approved		
ISAL Alcan Iceland Ltd	Stráumsvik IS-222 Hafnarfordur	168338		Dr. no. of ISAL / Teikn. nr. ISAL		
Teiknað Drawn	Virforð og skrifað Checked and filed	Notkun heimil Released				