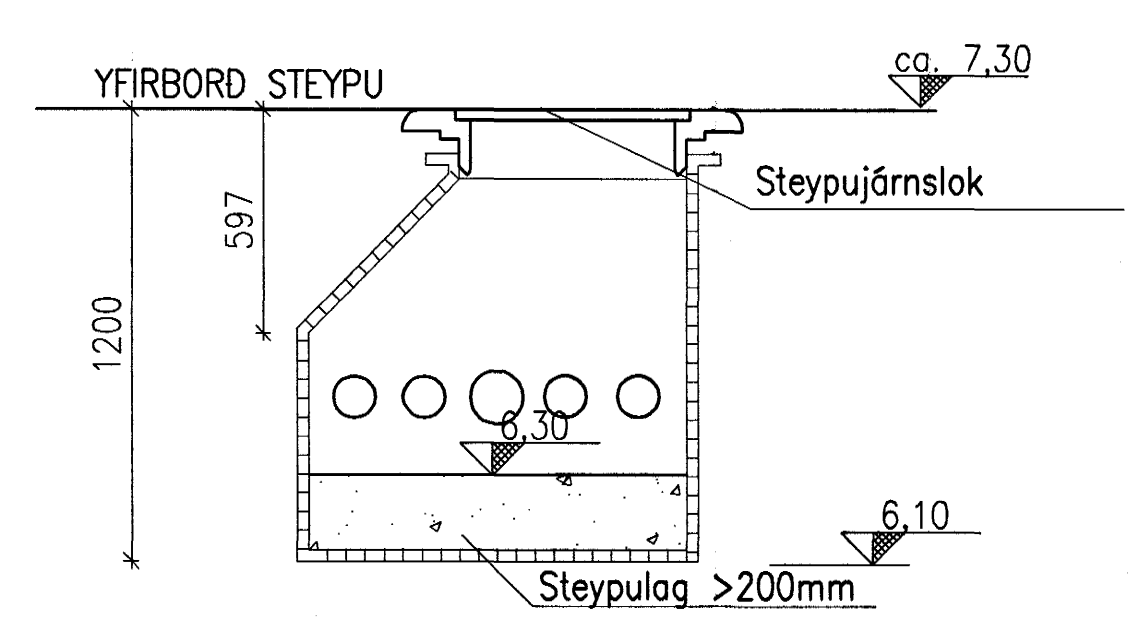
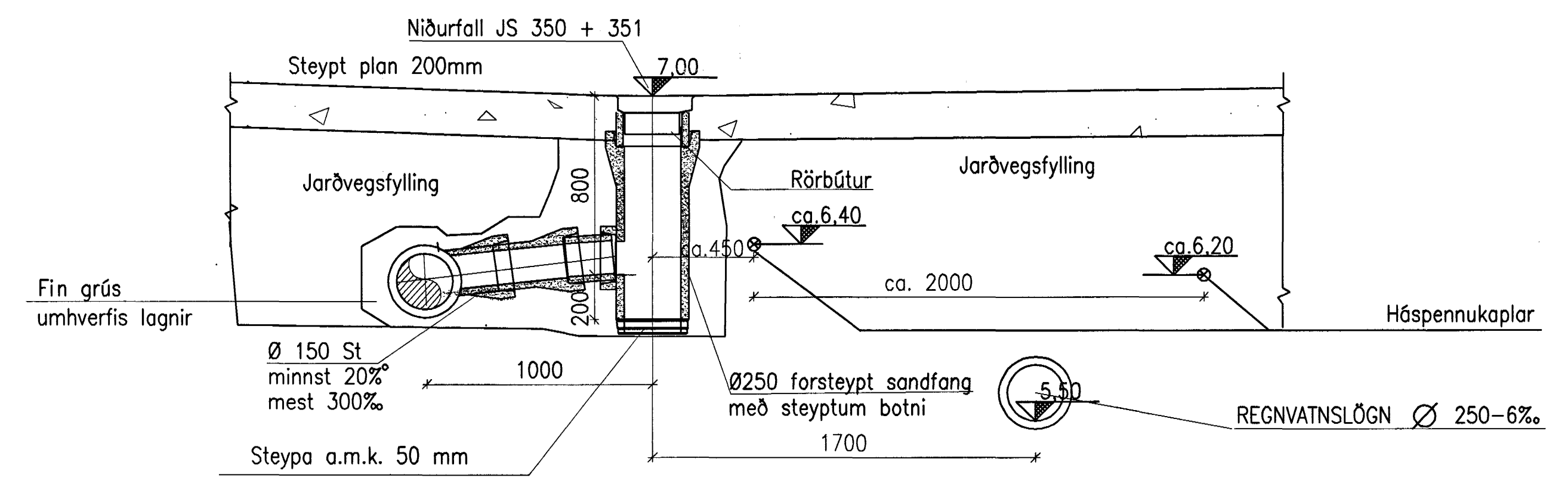


SNID Í RAFLAGNABRUNN 1:20



FRÁGANGUR Á NIDURFALLI ÁN VATNSLÁSS 1:20



STEYPA: C35/45
STÁL: B500C

Sambýkkt þann
18 SEPT. 2003

Byggingafultrúinn í Hafnarfirði
F.h. Sigurbjartur Halldórsson

1:100

1000 0 2000 4000 6000 8000 10000 mm

K:\2003.01\10\05-efnisgeymsla\Teikn\168331-168336.DWG

Skýringar: Explanations:	This drawing is the property of the ICELANDIC ALUMINIUM CO. LTD. and handed out for personal use only. It may neither be copied nor made available to others without permission of the ICELANDIC ALUMINIUM CO. LTD. The receiver is liable for any misuse.		Fjöldi stykja Number of pieces IV III II I		Hlutfur Object MILLIGEYMSLA FYRIR RAFLAUSNAREFNI MHL. 87 BURDARVIRKI PLAN OG NIDURFÖLL		Athugasemdir Remarks Málsvári Scale Stærð frumteikn. Format of orig. A1 CCno.-Eq.type-Eq.no. 5026 13FB 70		
	VST Verkefningur nr. ISAL Ref. drawing no. of ISAL			Dags. Date 29.08.2003			Dags. Date 29.08.2003		
A VERKEIKNING Breyt. Rev. 29.08.2003 HFB		Breyting Revision 29.08.2003 HFB		Samþ. Approved HFB		Samþykkt Approved 2003-0110/5.09 A		Dr. no. of ISAL / Teikn. ISAL 168339	

VST Verkefningur nr. ISAL
 Sigurðar Thoroddsen hf.
 Arnula 4, 108 Reykjavík Sími: 569 5000 Fax: 569 5010