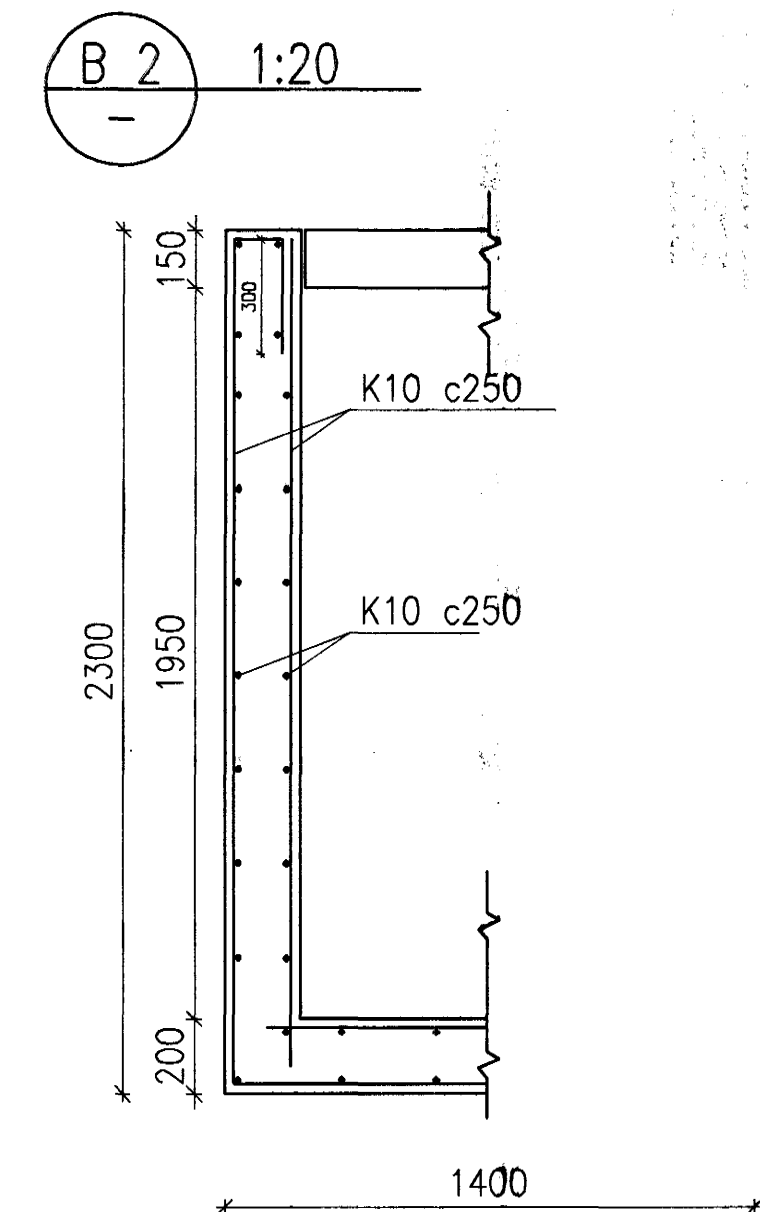
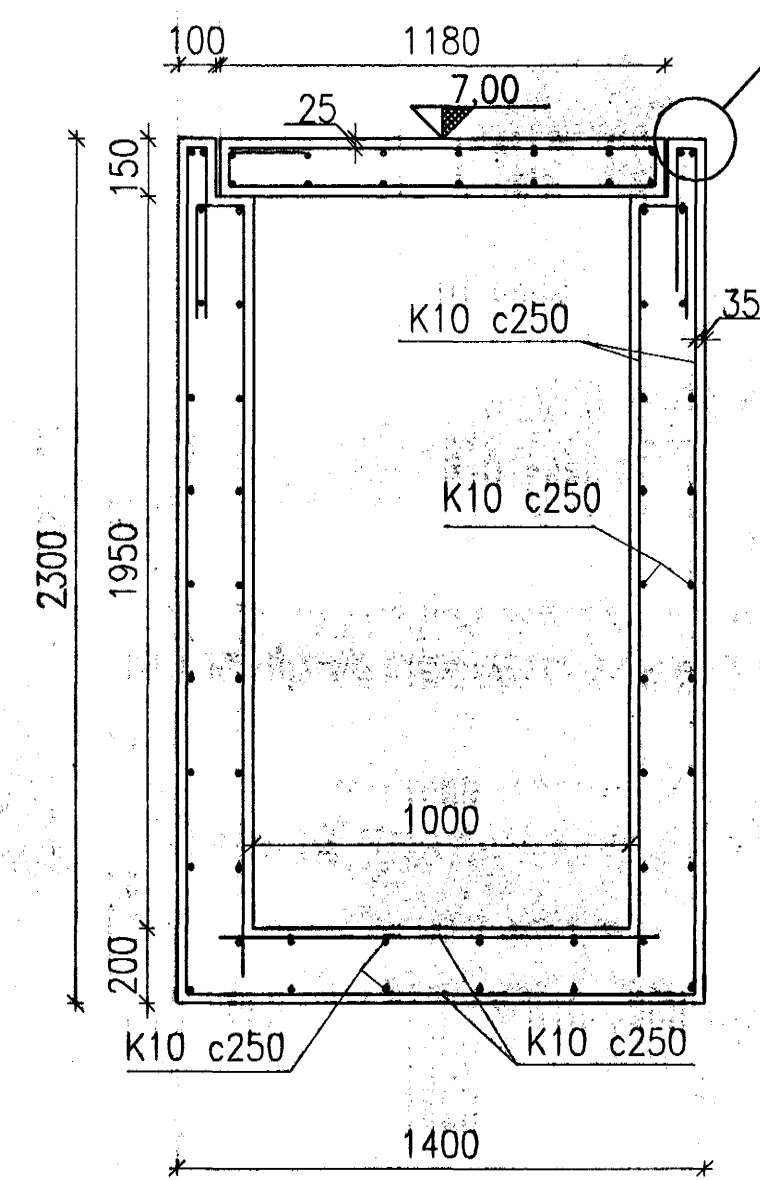
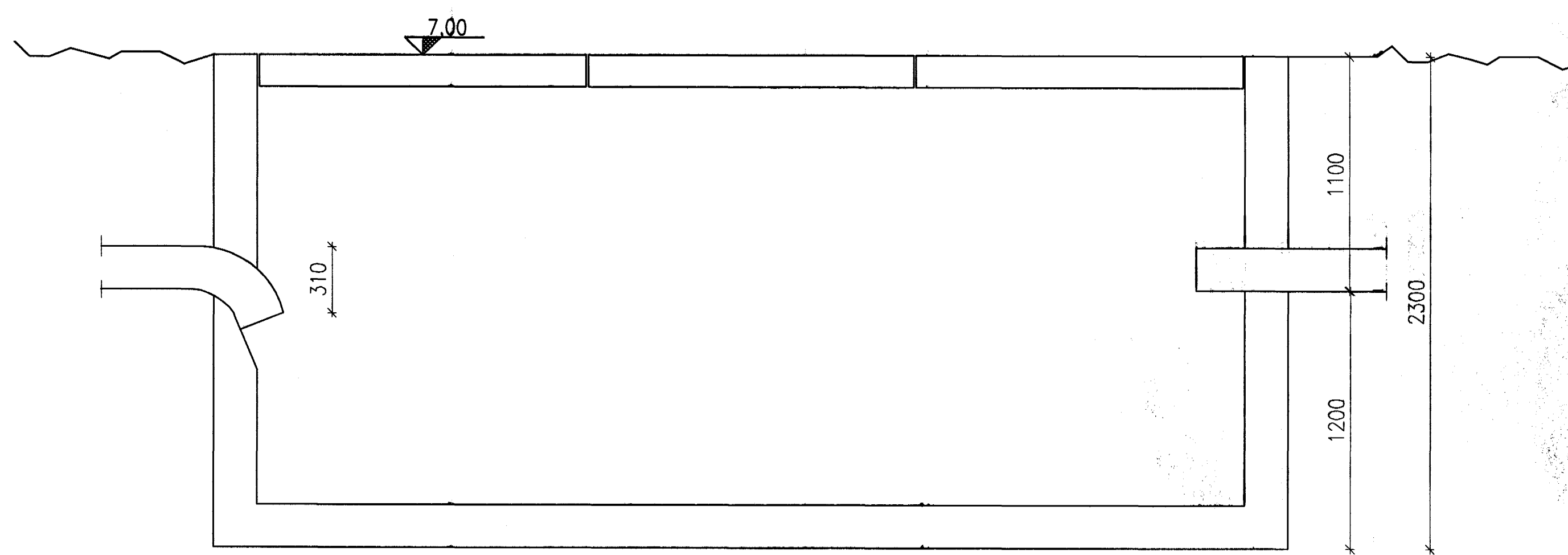
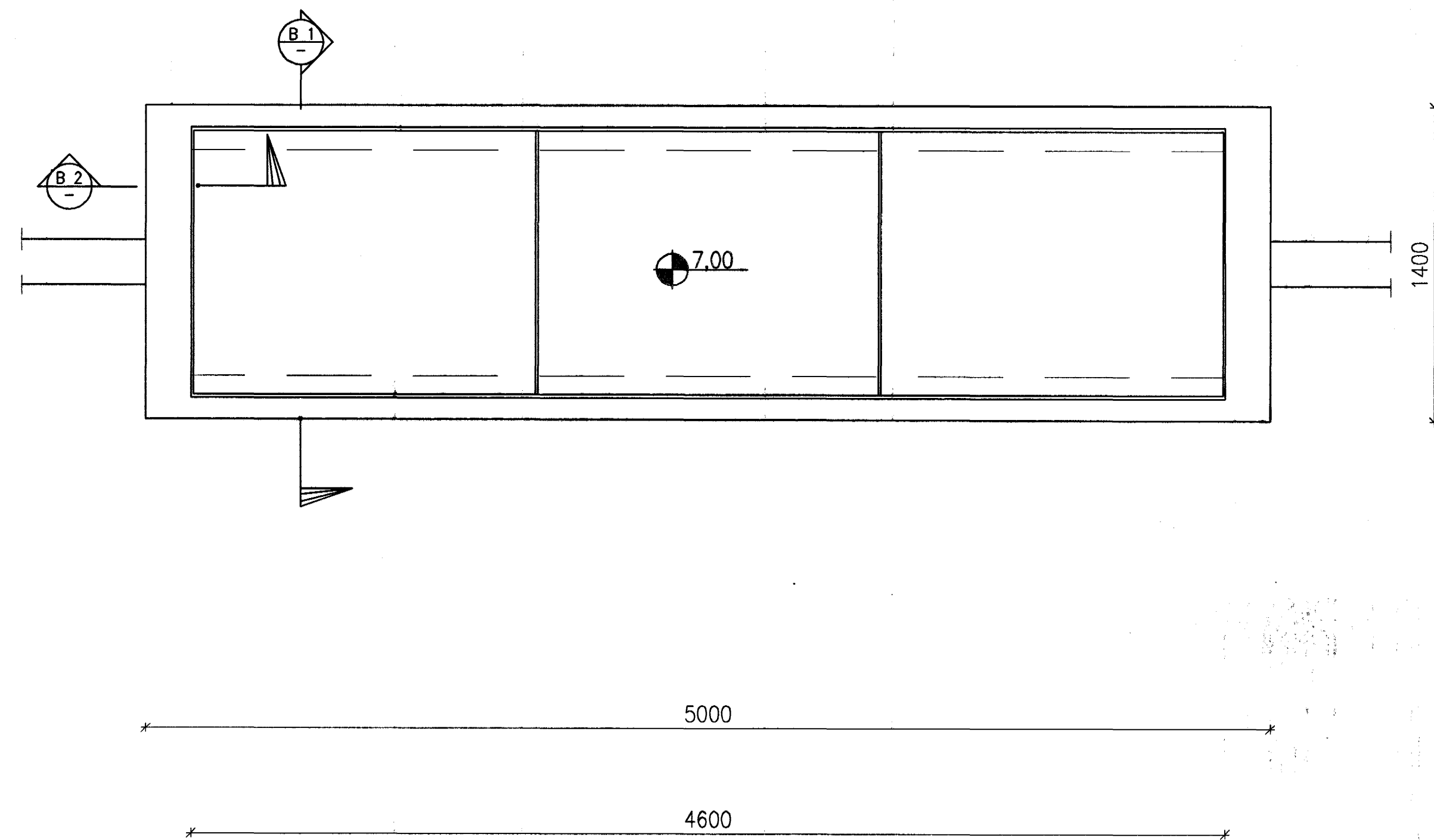
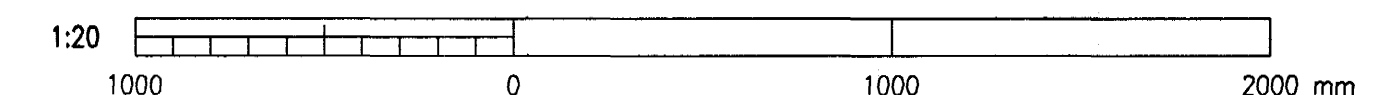
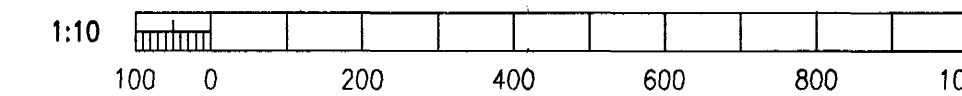
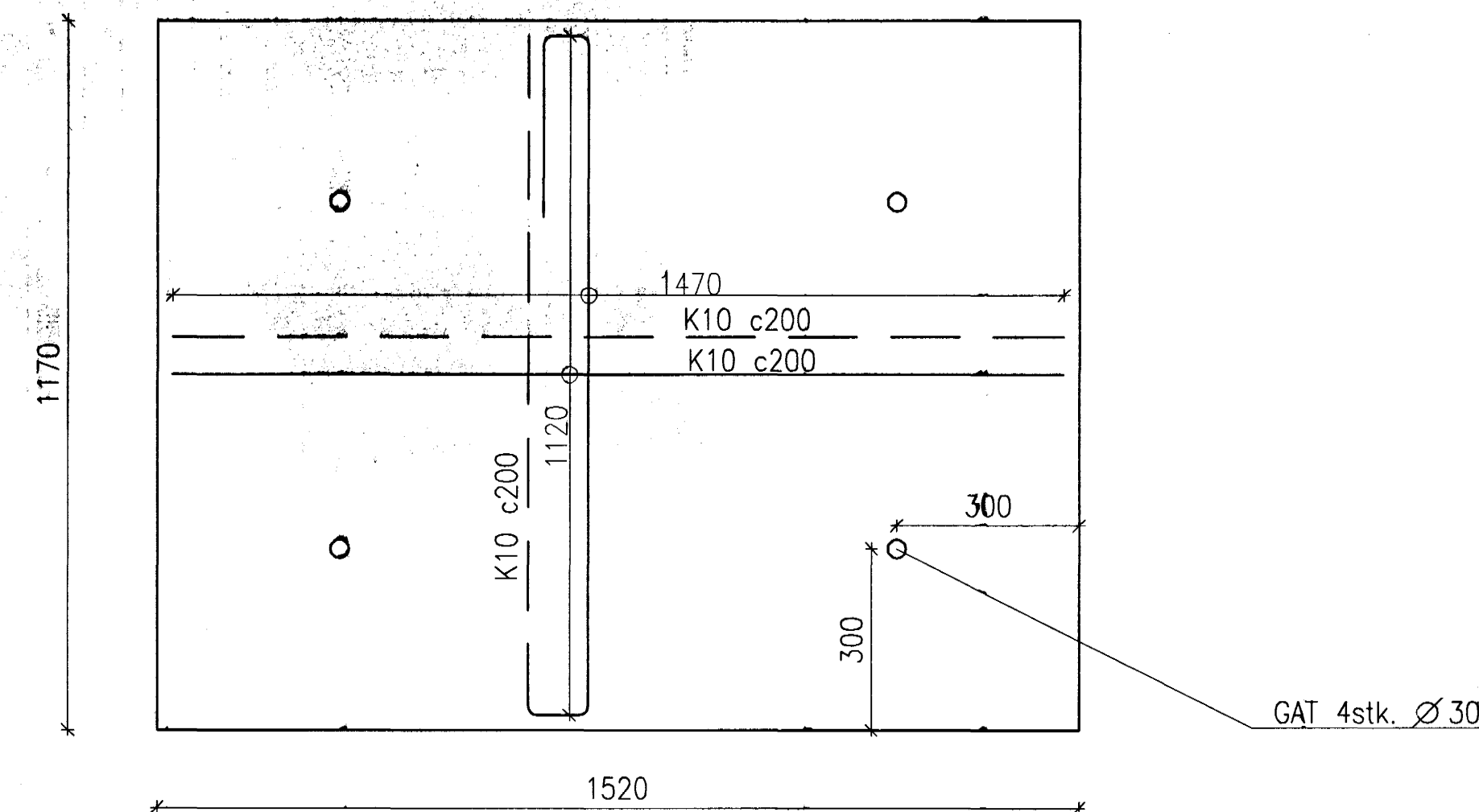


SETÞRÓ GRUNNMYND 1:20



LOK Á SETÞRÓ (3 stk.) 1:10



STEYPA: C35/45
STÁL: B500C

Samþykkt þann 18 SEPT. 2003
Byggingafulltrúinn í Halmarfirði
F.h. Sigurbjartur Hallgrímsson

Skýringar:
Explanations:

A		VERKTEIKNING	29.08.2003	HFB	<i>[Signature]</i>
Breyt. Rev.	Breyting Revision	Dagur Date	Samþ. Approved	Alk. Released	
Tilvitnir nr. ISAL Ref. drawing no. of ISAL		Samsetning nr. ISAL Assembly drawing no. of ISAL			

This drawing is the property of the ICELANDIC ALUMINIUM CO. LTD. and handed out for personal use only. It may neither be copied nor made available to others without permission of the ICELANDIC ALUMINIUM CO. LTD. The receiver is liable for any misuse.

Fjöldi stykja Number of pieces	Hlutur Object	Atriði Item	Efni Material	eo.stk Weight	totali heild (kg) bygnd	Athugasemdir Remarks
IV III II I	MILLIGEYMSLA FYRIR RAFLAUSNAREFNI MHL. 87					Málsvorði Scale Stærð framtíð. Format of orig. A1 CÓno.-Eq.type-Eq.no. 5026 13FB 70
VST		2003-0110/5.10 A		2003-0110/5.10 A		
Teknað Drawn	DS / NI ágúst 2003	Yfirfarið Checked	NI ágúst 2003	Samþykkt Approved	<i>[Signature]</i>	
ALCAN PRIMARY METAL GROUP ISAL Alcan Iceland Ltd		Straumsvík IS-222 Hafnarfordur		168340		
Teknað Drawn	Yfirfarið og skráð Checked and filed		Núllkennd Released			