

HNITASKRÁ:

HEITI	X-HNIT	Y-HNIT	HEITI	X-HNIT	Y-HNIT	HEITI	X-HNIT	Y-HNIT	HEITI	X-HNIT	Y-HNIT	HEITI	X-HNIT	Y-HNIT	
GRAFTAR- OG Fyllingarmörk	J1	22622,545	9315,956	J25	22553,376	9250,928	J50	22584,586	9242,867	J73	22652,455	9289,586	J96	22571,789	9243,188
	J2	22613,281	9324,123	J26	22559,385	9245,631	J51	22601,454	9261,867	J74	22644,222	9280,247	J97	22569,448	9245,251
	J3	22605,081	9314,822	J27	22566,191	9242,008	J52	22605,280	9258,494	J75	22640,490	9283,537			
	J4	22607,684	9312,527	J28	22559,994	9238,655	J53	22604,619	9257,744	J76	22639,035	9281,887			
	J5	22606,282	9310,937	J29	22558,175	9236,592	J54	22611,970	9251,263	J77	22637,504	9302,768			
	J6	22617,671	9310,428	J30	22544,788	9221,332	J55	22614,033	9253,603	J78	22637,286	9313,866			
	J7	22620,811	9307,659	J31	22551,764	9215,182	J56	22617,784	9250,297	J79	22634,763	9324,917			
	J8	22616,145	9302,270	J32	22552,677	9216,217	J57	22625,984	9259,598	J80	22637,337	9328,256			
	J9	22599,280	9283,141	J33	22557,401	9212,052	J58	22611,079	9272,739	J81	22632,006	9334,914			
	J10	22594,440	9277,650	J34	22561,794	9214,631	J59	22607,740	9268,950	J82	22631,436	9341,542			
	J11	22591,252	9280,460	J35	22565,727	9219,980	J60	22602,954	9273,170	J83	22623,101	9343,743			
	J12	22596,092	9285,952	J36	22565,601	9231,179	J61	22596,606	9265,969	J84	22621,177	9341,560			
	J13	22586,828	9294,119	J37	22563,125	9233,361	J62	22592,930	9269,209	J85	22623,426	9339,575			
	J14	22578,628	9284,817	J38	22562,563	9232,724	J63	22576,156	9250,183	J86	22625,352	9341,759			
	J15	22581,231	9282,523	J39	22572,035	9225,506	J64	22611,055	9272,760	J87	22628,500	9340,478			
	J16	22579,829	9280,932	J40	22575,094	9231,781	J65	22602,618	9280,198	J88	22632,451	9328,470			
	J17	22589,678	9272,249	J41	22578,828	9228,490	J66	22627,817	9291,777	J89	22619,393	9299,204			
	J18	22572,828	9253,137	J42	22578,107	9227,672	J67	22636,598	9284,036	J90	22624,693	9303,197			
	J19	22567,950	9247,679	J43	22585,458	9221,191	J68	22635,936	9283,286	J91	22622,352	9305,261			
	J20	22566,697	9250,456	J44	22587,581	9223,599	J69	22643,287	9276,805	J92	22619,839	9302,410			
	J21	22564,799	9255,947	J45	22591,331	9220,292	J70	22645,437	9279,243	J93	22622,180	9300,347			
	J22	22560,376	9264,114	J46	22599,532	9229,594	J71	22649,187	9275,937	J94	22566,935	9242,400			
	J23	22552,176	9254,813	J47	22584,606	9242,710	J72	22657,387	9285,238	J95	22569,276	9240,337			
	J24	22554,778	9252,518												

SKÝRINGAR:

ÖLL MÁL ERU Í METRUM.
BOTN LAGNAKURDA ER 20cm UNDIR UPPGEFNUM KÓTUM LAGNA

TÁKN:

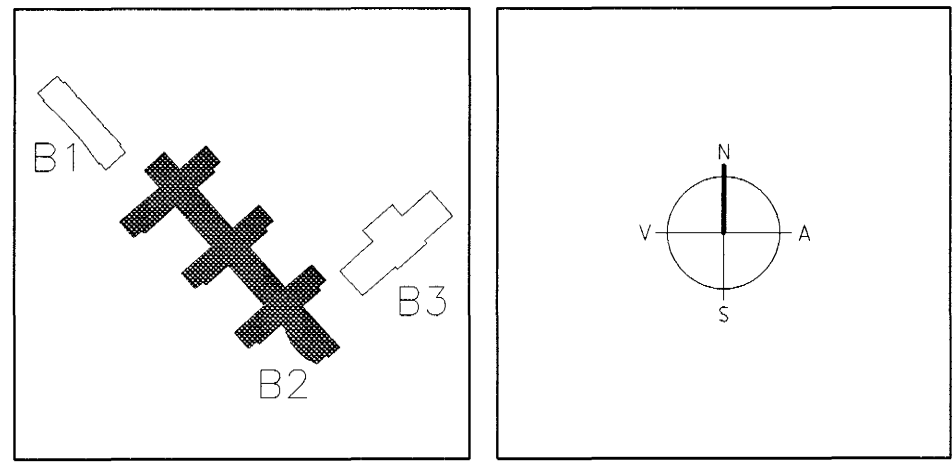
- FK=7.5 KÓTI Á Fyllingu í GRUNNI
- H1 BORHOLUR
- ÖTLINUR BYGGINGAR
- J1 GRAFTARMÖRK
- J2 GRAFTARMÖRK
- LÓÐARMÖRK
- 65.0 HEDARLINUR NÓVERANDI YFIRBORDS
- K:12.60 GRAFID OG SPRENGT Í UPPGEFINN KÓTA

Fylling í GRUNN:

Fyllingarefinn í SÖKKLA SKULU VERA MINNST 0,7m ÞYKK
BÓLSTRABERGsfylling SEM HVILIR Á MÓHELLU/KLÖPP.

A.C. 06.11.01.

BR. DAGS. BREYTING REKON. TEKN.



ARKITEKTAR
BERGSTADASTRÆTI 10, RVK.
sími:551-1460, netfang:arkitekt@ishof.is

FINNUR BJÖRGVINSSON
HILMAR ÞÓR BJÖRNSSON
SIGRÍÐUR ÓLAFSDÓTTIR

LANDMÖTUN.
EINARE SÆMUNDSEN
INGIBJÖRG KRISTJÁNSDÓTTIR
MARGRÉT SIGURDARDÓTTIR

VSÓ
VSÓ RÁÐGLJÓF
BORCARTUR 20, 105. REYKJAVÍK, SMF 585-9000, SMÁBREF 585-9010, NETFANG: vs@vs.is

**SÓLVANGSVEGUR 4
LÆKJARSKÓLI**

JARÐVINNA
GRAFTAR- OG FyllingarPLAN
GRUNNMÝND

KVARDI 1:200
VERKFR. REYKJAVÍK. 02.11.2001
00258

HANNAÐ/TEKN. VSÓ/KB
ATH. 1/17
SÁMBYKKT
KT. 136057-0439
02.11.2001
B2-J-VG-001