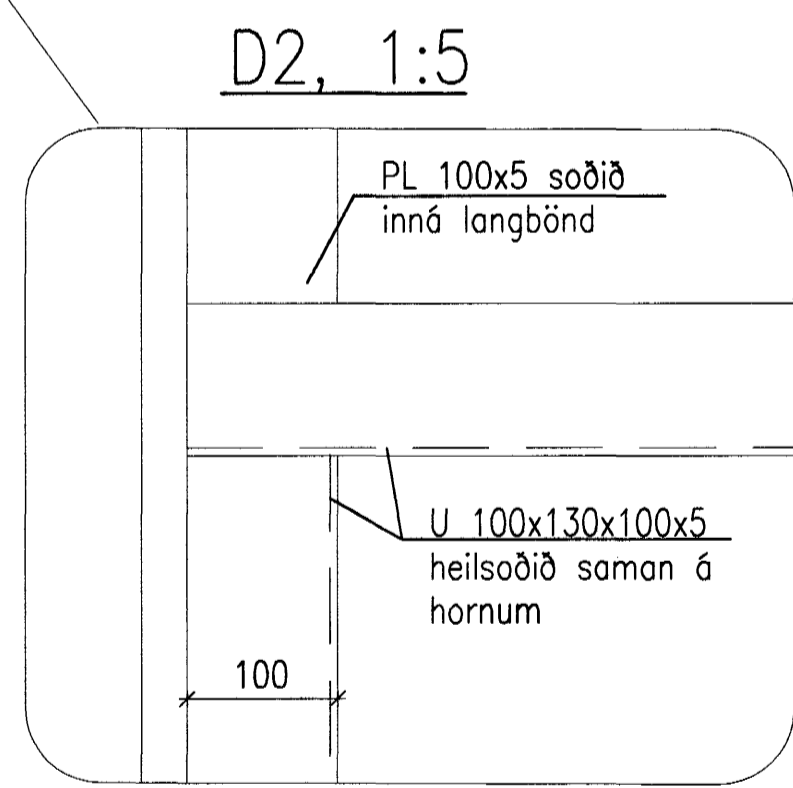
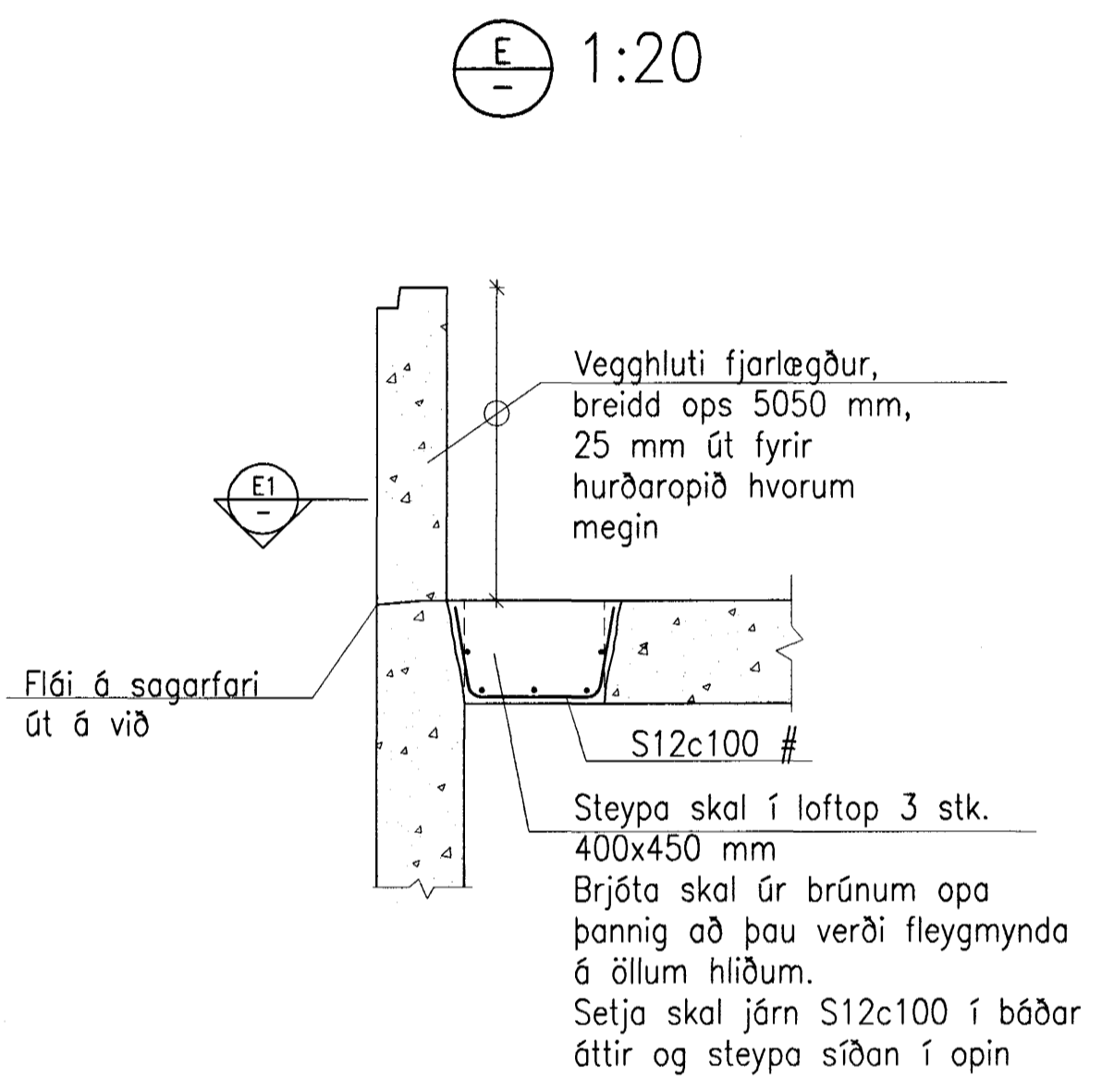
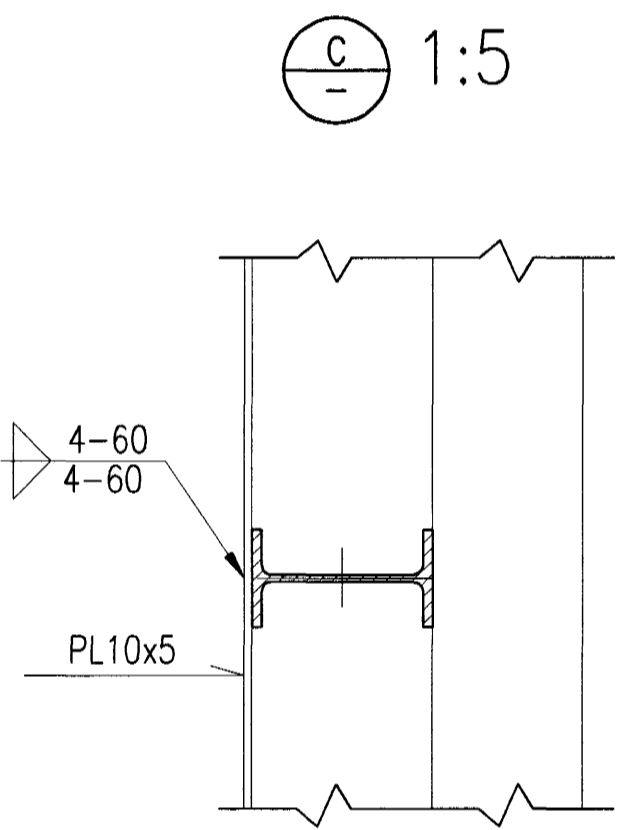
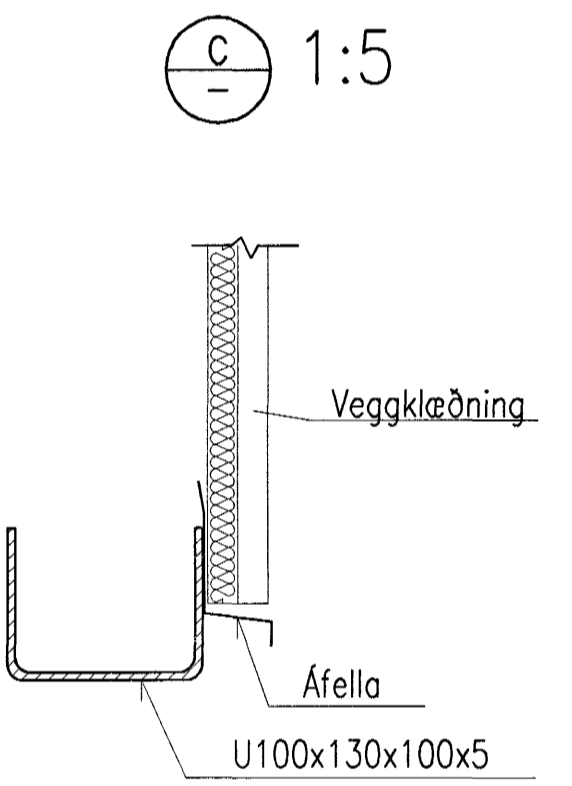
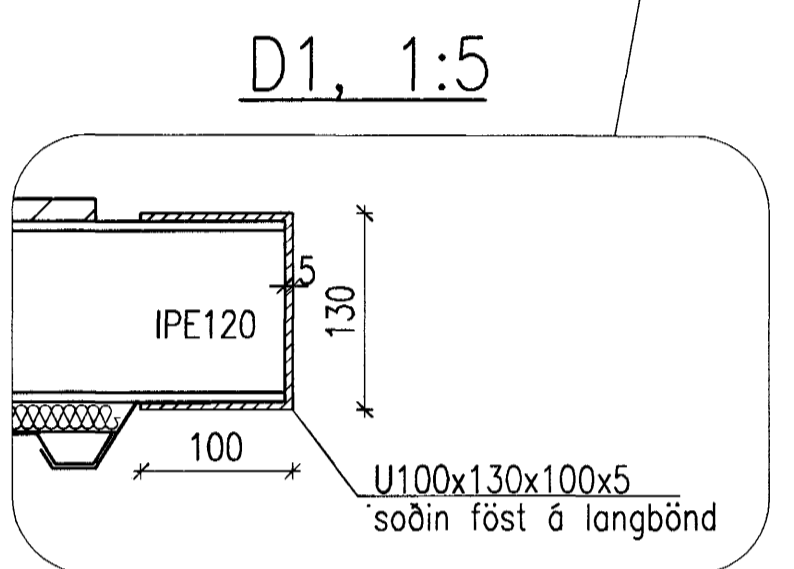
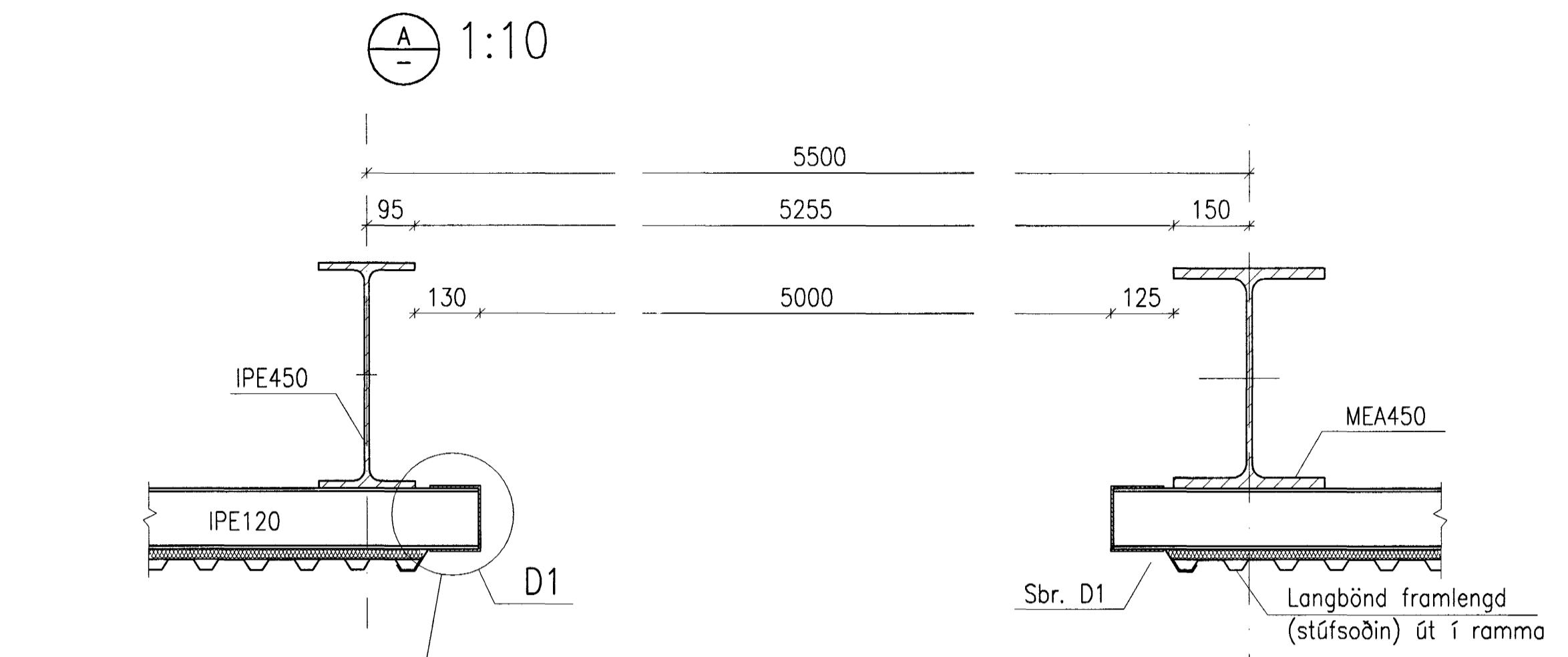
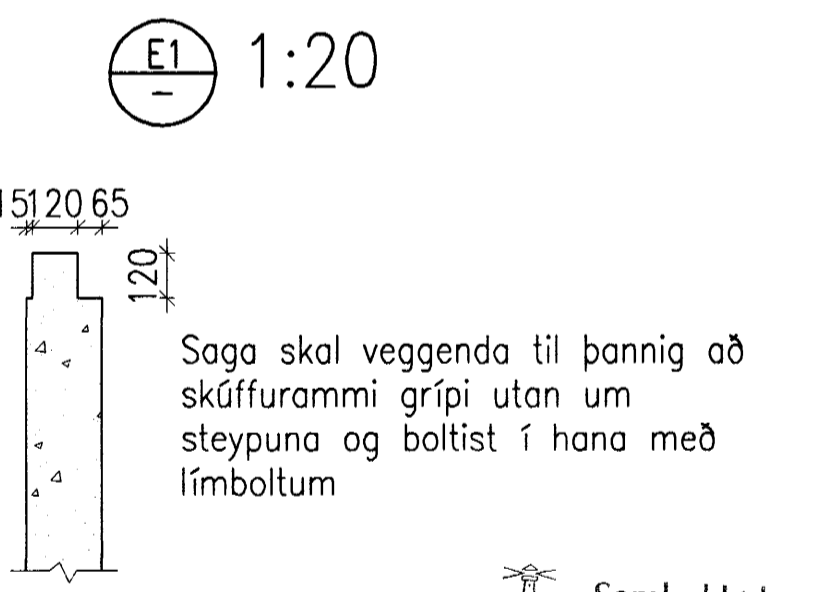


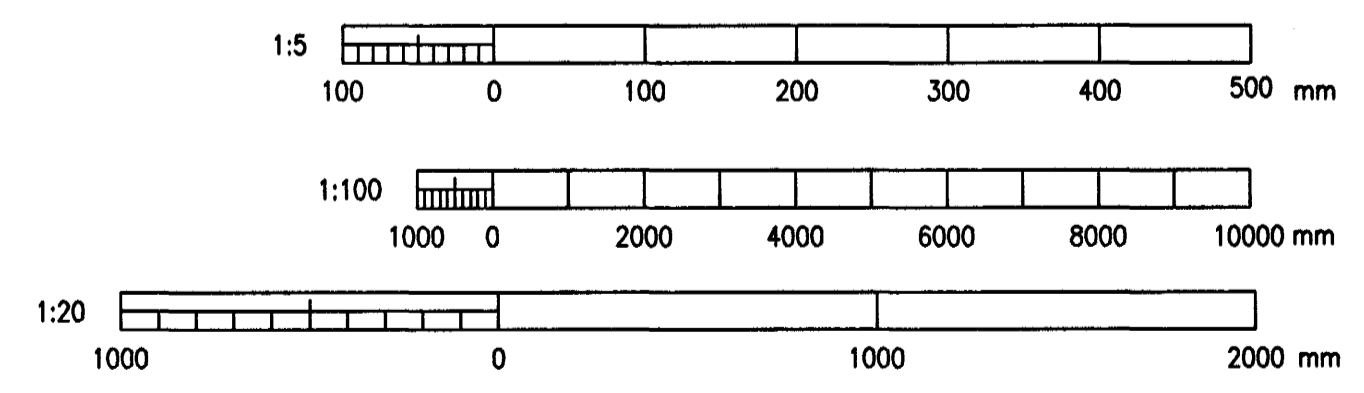
GRUNNMYND, 1:100



D2, 1:5



Samþykkt þann  
20 SEPT. 2001  
Byggingafráttálfurinn í Hafnarfirði  
F.h. Sigurbjartur Halldórsson



J:\99-1xx\99110\verkl29\Teikn\t-Burd\165939.dwg

Skýringar:  
Explanations:

This drawing is the property of the ICELANDIC ALUMINIUM CO. LTD. and handed out for personal use only. It may neither be copied nor made available to others without permission of the ICELANDIC ALUMINIUM CO. LTD. The receiver is liable for any misuse.

| Fjöldi stykja<br>Number of pieces     | Hlutur<br>Object                                                             | Alnúi<br>Item                           | Efni<br>Material | ea.stk<br>Weight (kg) | totali heild<br>byrgd | Athugasemdir<br>Remarks            |
|---------------------------------------|------------------------------------------------------------------------------|-----------------------------------------|------------------|-----------------------|-----------------------|------------------------------------|
| IV III II I                           | STEYPUKÁLI                                                                   |                                         |                  |                       |                       | Merkivardi                         |
|                                       | AKSTURSHURD Á A-GAFLI                                                        |                                         |                  |                       |                       | Stað frumteikn. Format of orig. A1 |
|                                       | FRÁGANGUR                                                                    |                                         |                  |                       |                       | CCno.-Eq.type-Eq.no. 6010BA 1226   |
|                                       | Verki / Sagtar                                                               |                                         |                  |                       |                       | 99.110-29.02                       |
| Teiknað<br>Drawn                      | NI/SHJ Mál 2001                                                              | Yfirfarið<br>Checked                    |                  |                       |                       | Samþykkt<br>Approved               |
| algroup alusísse<br>primary materials | icelandic aluminium co. ltd.<br>p.o. box 844<br>la-222 hafnarfordur, iceland |                                         |                  |                       |                       | 165939                             |
| Teiknað<br>Drawn                      | NI                                                                           | Yfirfarið og skráð<br>Checked and filed |                  |                       |                       | Notkun heimild<br>Released         |

VST Verkfæðistofa  
Sigurðar Thoroddsen hf.  
Hafnarfordur 108, Reykjavík, Sími: 948 5000 Fax: 948 5010

Tilv. teikningar nr. ISAL  
Ref. drawing no. of ISAL

Samsætningartekningar nr. ISAL  
Assembly drawing no. of ISAL