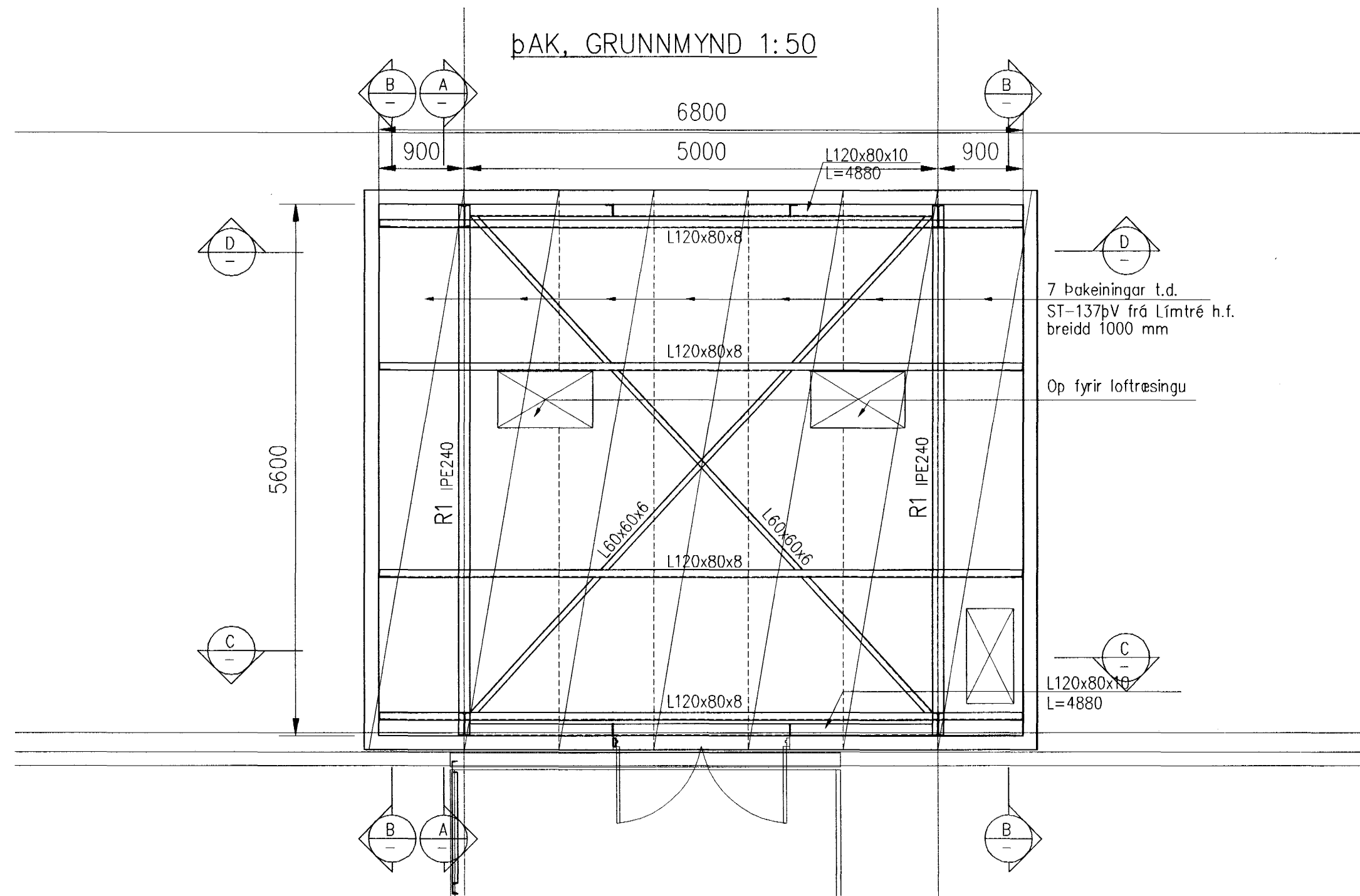
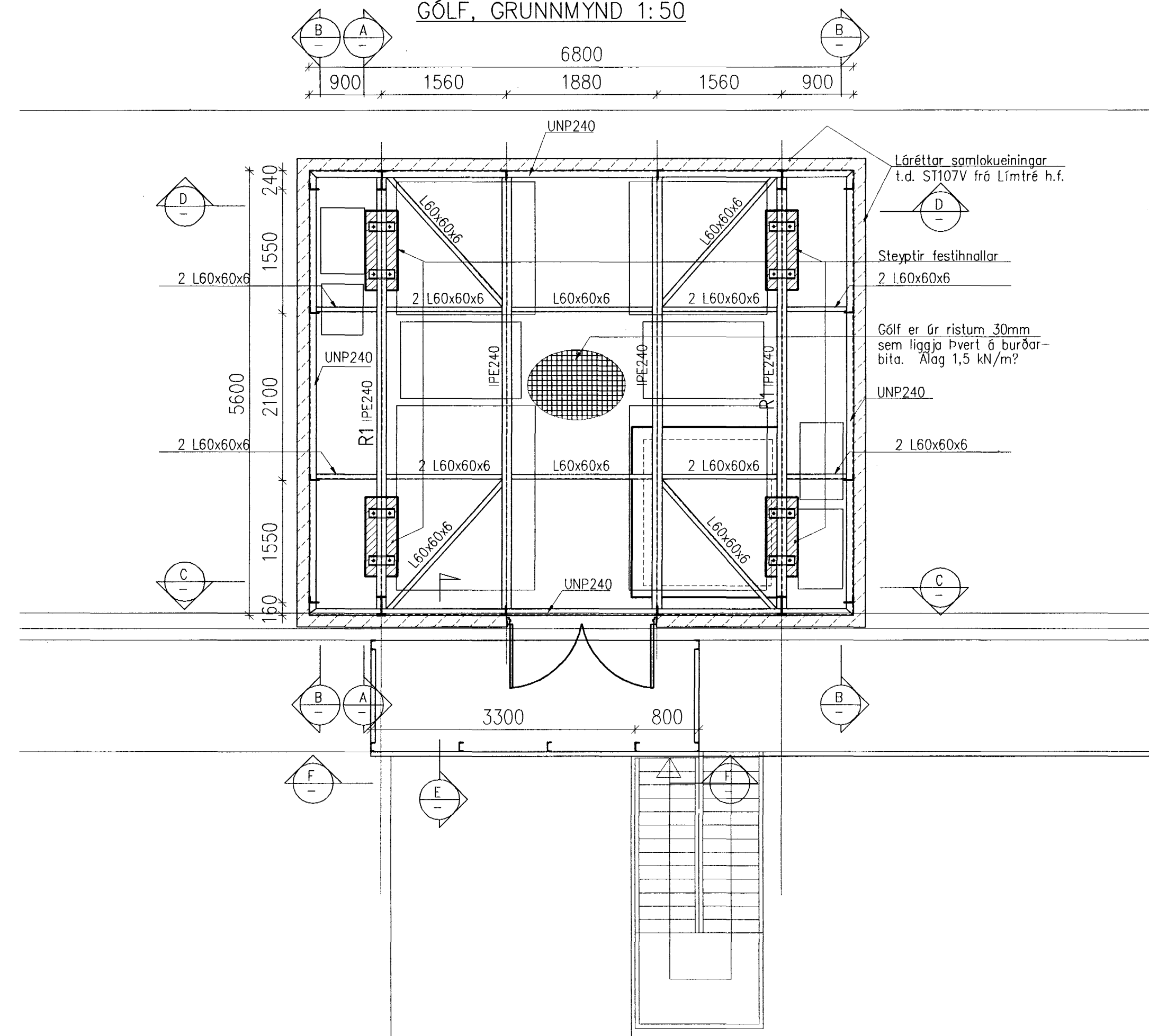


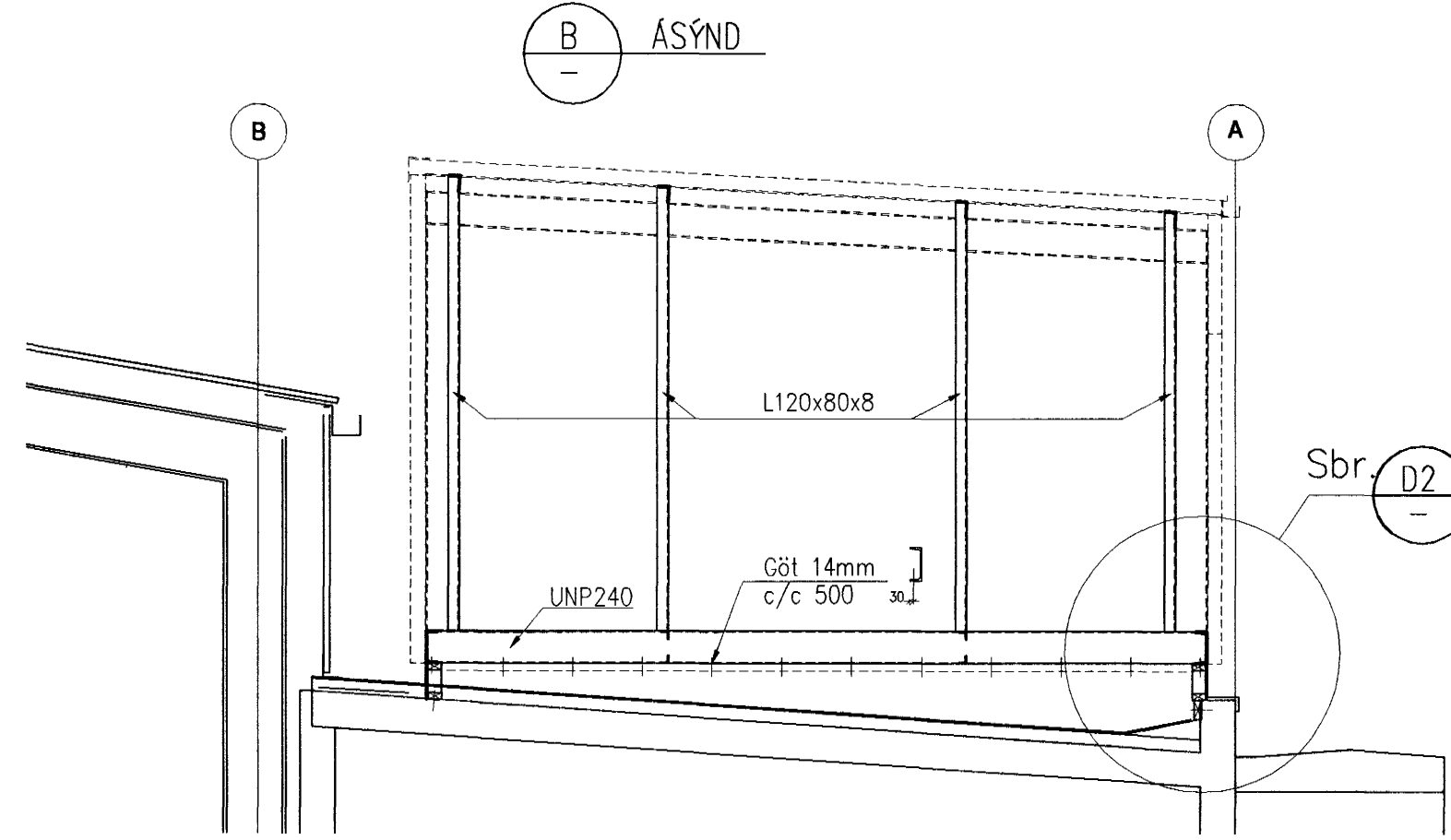
ÞAK, GRUNNMYND 1:50



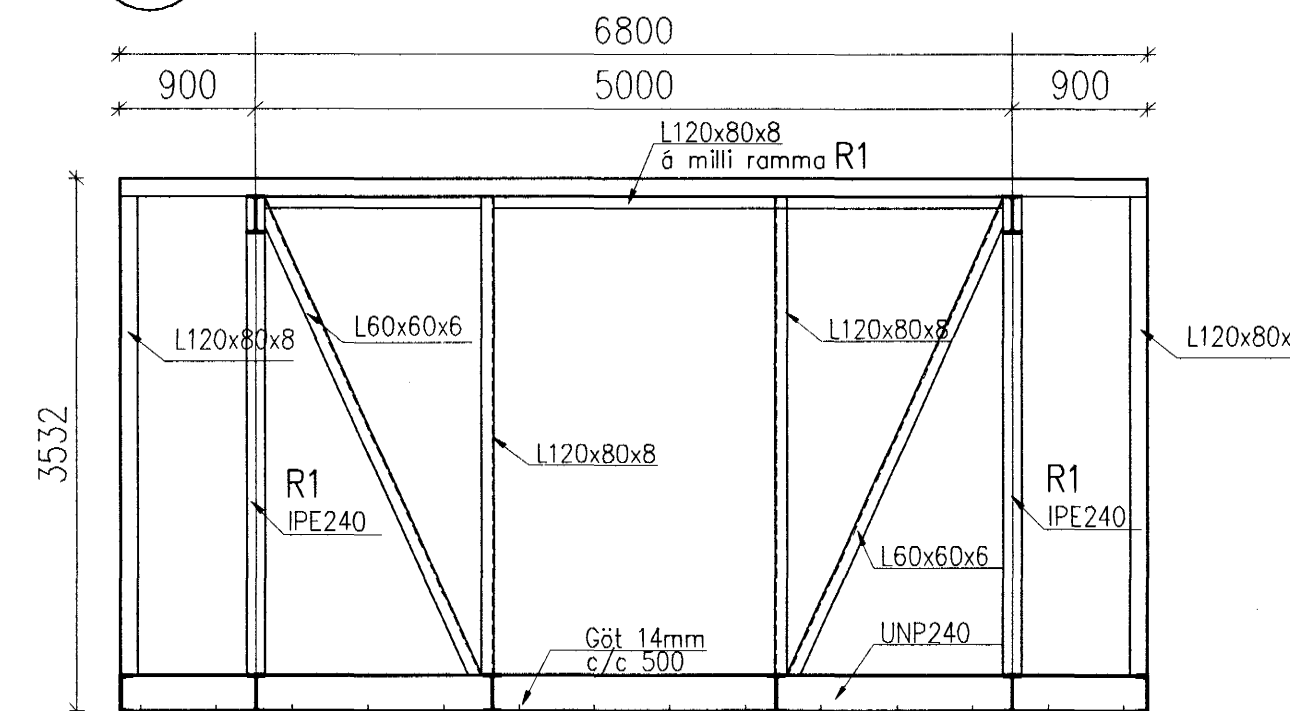
GÓLF, GRUNNMYND 1:50



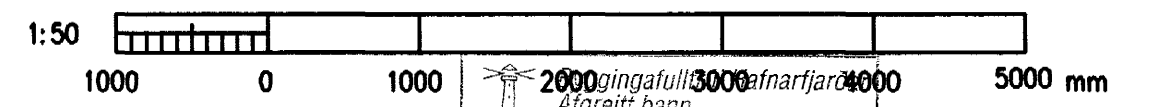
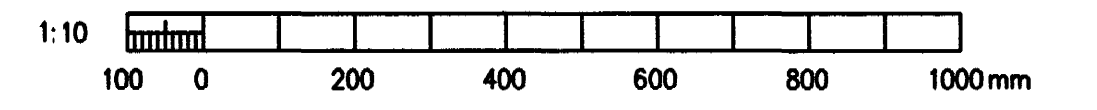
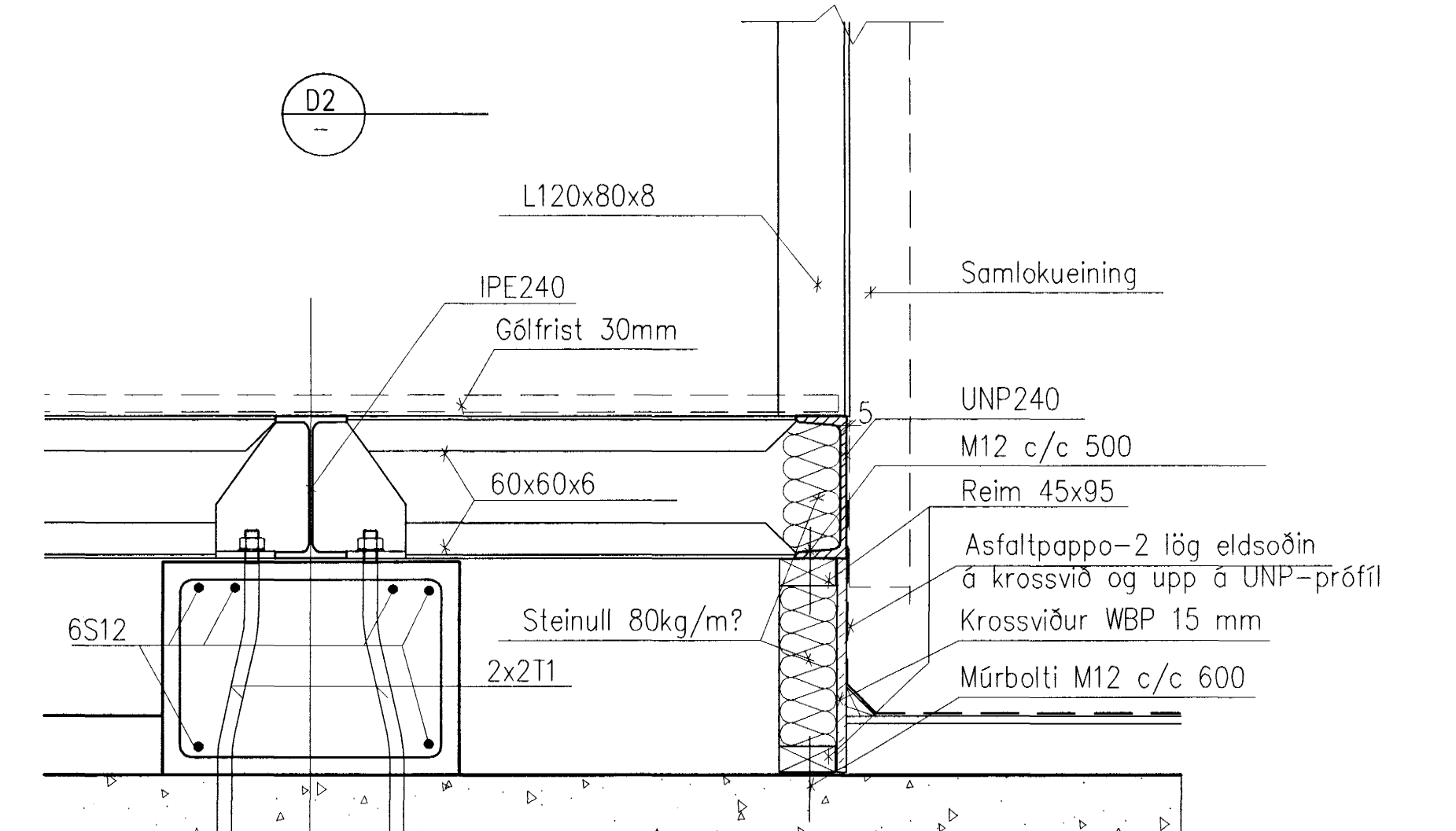
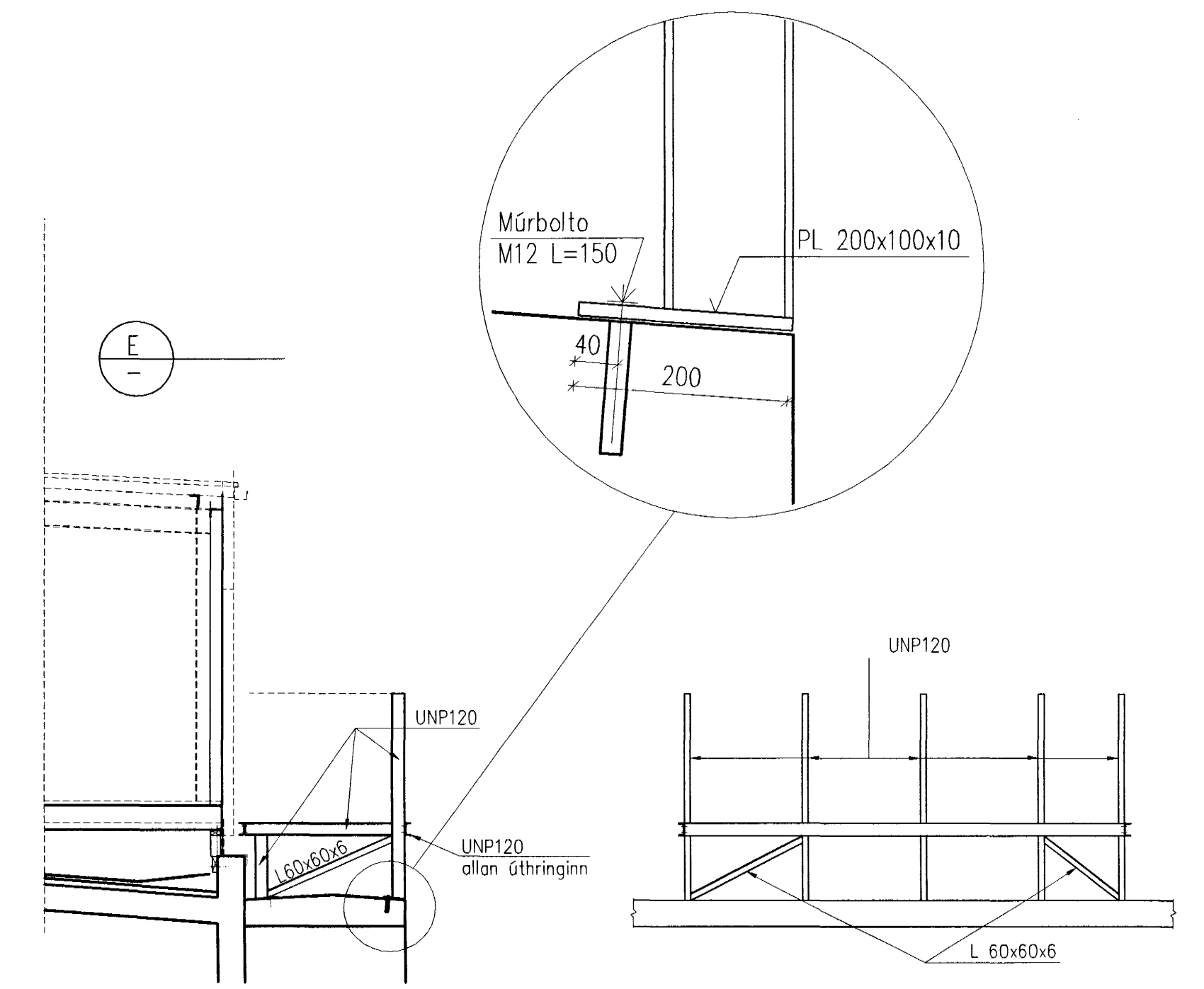
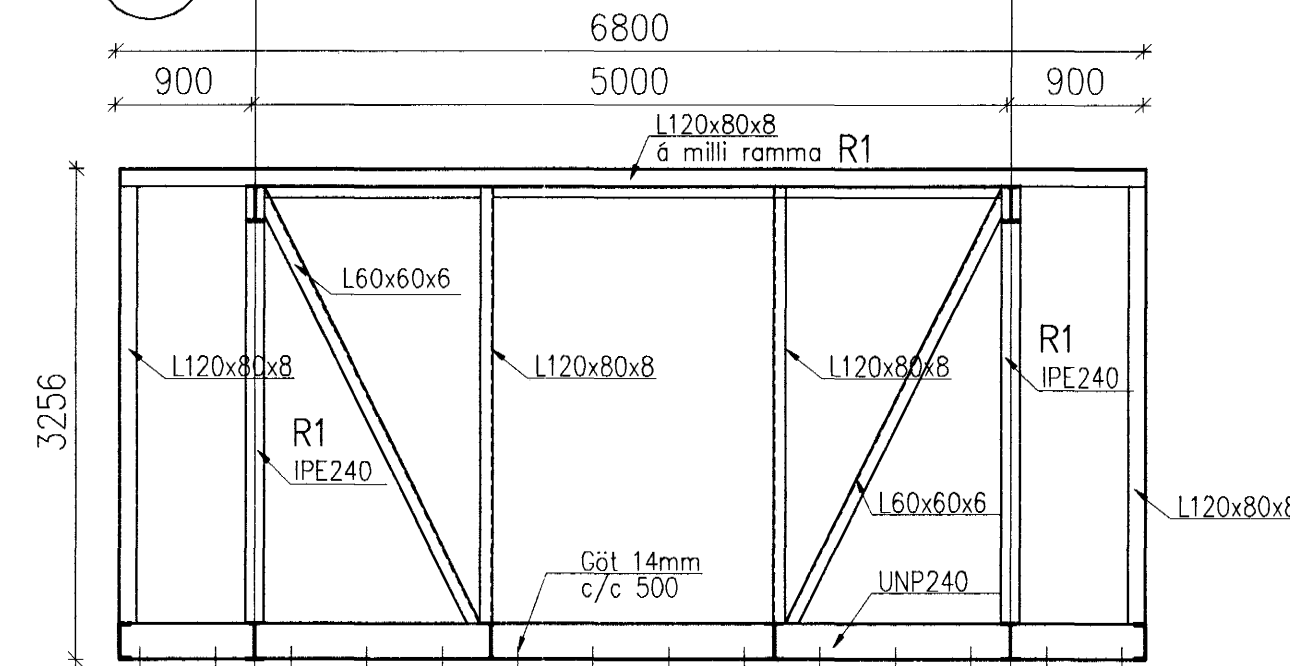
ÁSÝND



ÁSÝND



ÁSÝND



J:\99-1xx\99110\ANNEX-LOFTRÆSIHÚS\166227-166229.dwg

Skýringar:
Explanations:

This drawing is the property of the ICELANDIC ALUMINIUM CO. LTD. and handed out for personal use only. It may neither be copied nor made available to others without permission of the ICELANDIC ALUMINIUM CO. LTD. The receiver is liable for any misuse.

Fjöldi stúkkja Number of pieces	IV III II I	Hútur Object	ÁLVERIÐ Í STRAUMSVÍK	Stærð Scale	1:10-1:50
Teknið Drawn	SE 26.11.2002	Yfirfarir Checked	SE 26.11.2002	Sambúið Approved	99.110-6102
ALCAN PRIMARY METAL GROUP ISAL Alcan Iceland Ltd			IS-222 Hálfarforður	166228	6010BA1227
Teknið Drawn	Yfirfarir og síkið Checked and filed	Höfundur Author	166228	6010BA1227	

VST Verktæmistofa
Sigurður Thoroddsen hf.
Aðili 4, 108 Reykjavík Sími 560 5000 Fax 560 5010

Breyt.
Rev.

Breyting
Revision

Dags.
Date

Samb.
Approved

Nösk. heiml.
Released

Tilvitningur nr. ISAL
Ref-drawing no. of ISAL

Samsæmi teikningar nr. ISAL
Assembly drawing no. of ISAL