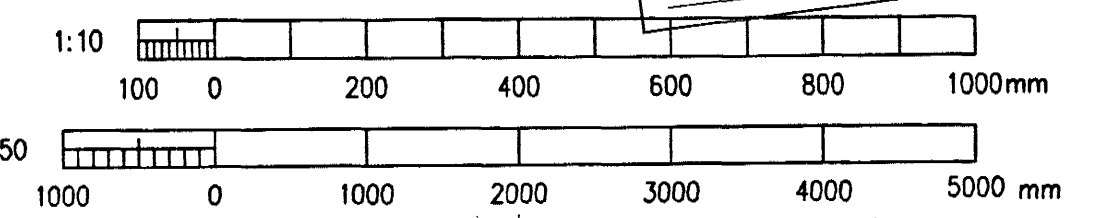
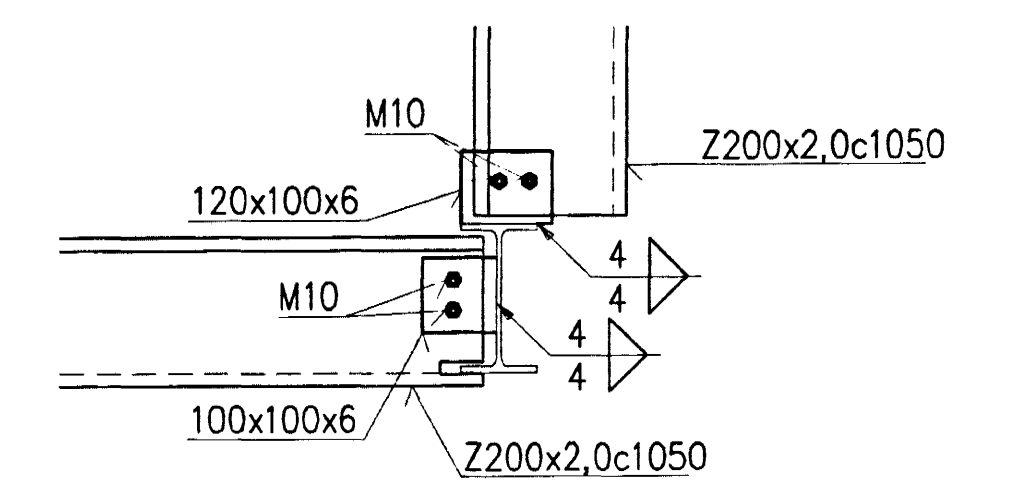
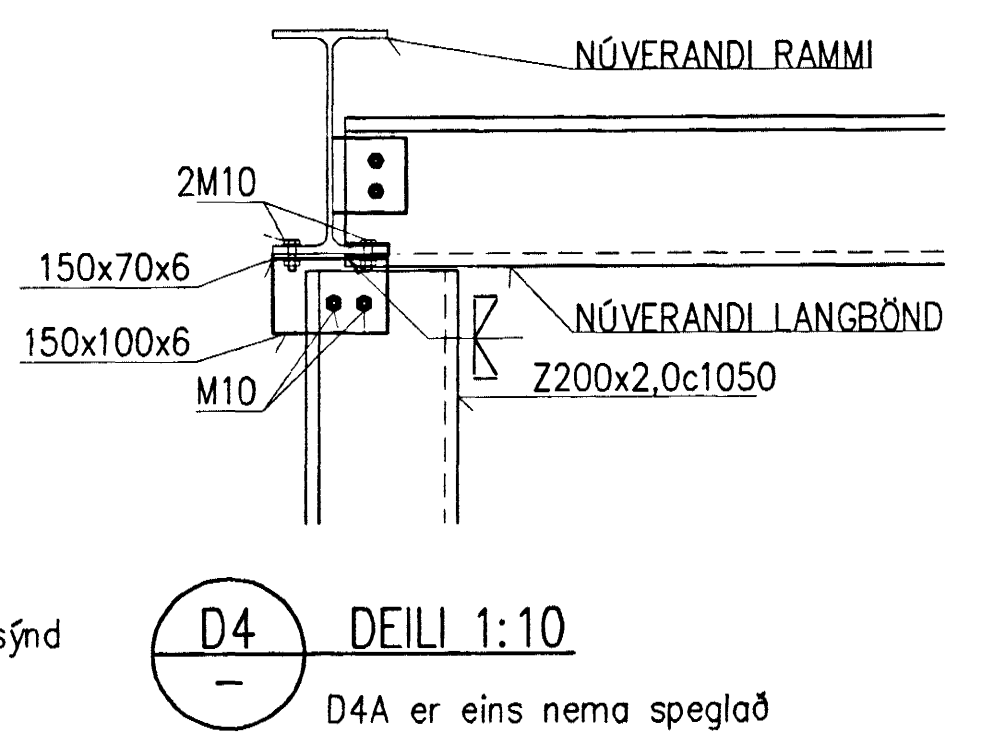
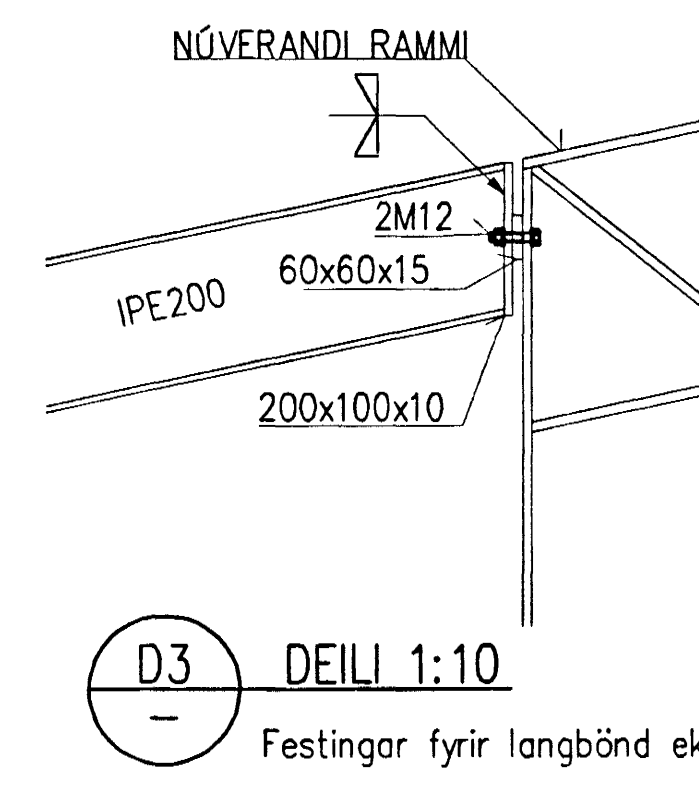
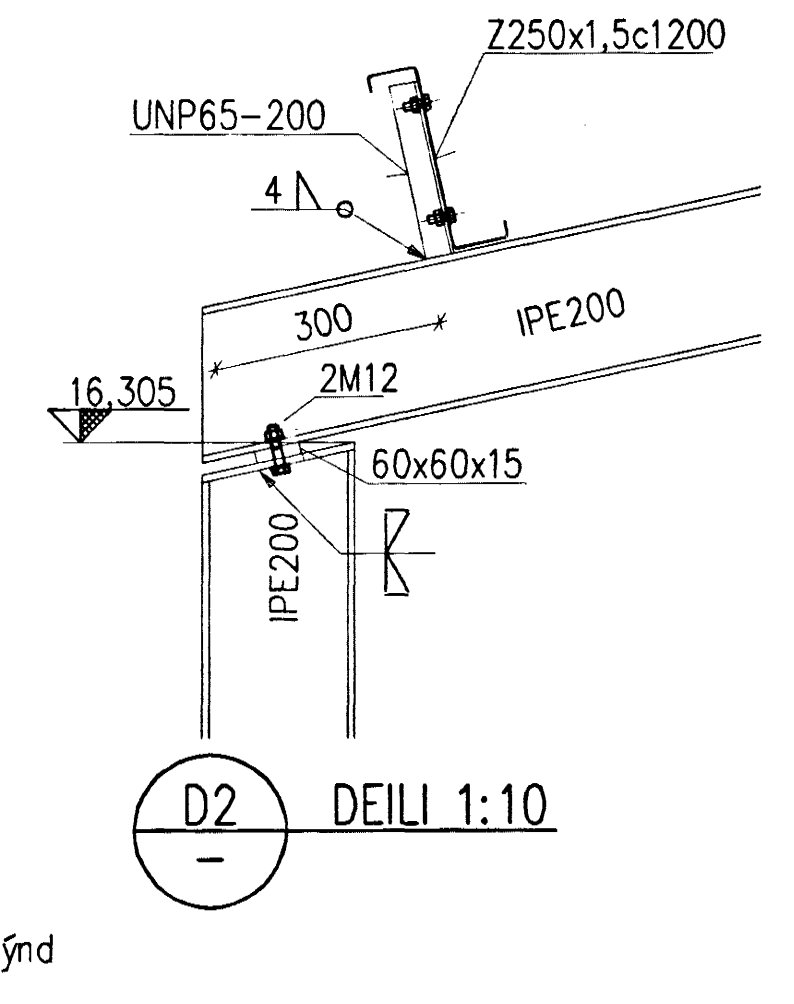
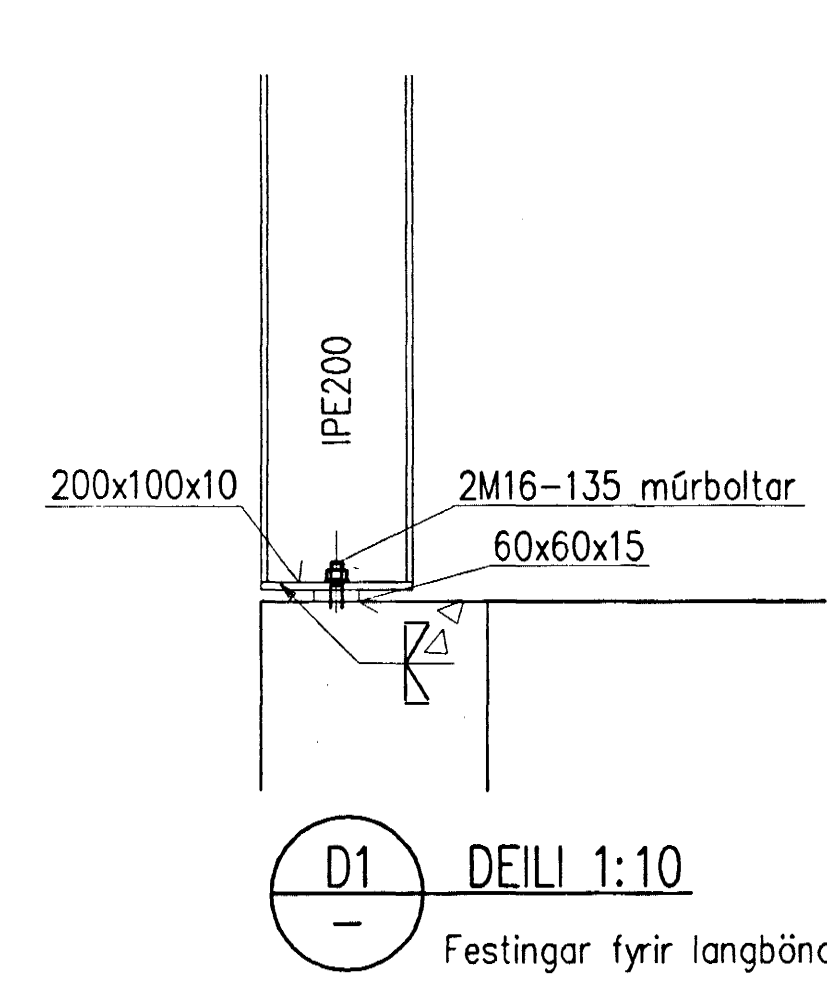


Öll mál eru í millimetrum.
Hæðir eru gefnar í metrum í staðbundnu hæðarkerfi ISAL



Byggingatúlltrúi Hafnarfjarðar
Algröpp
19 FEB. 2002

J:\99-1xx\99110\verkl 34-skautleifasofnun\DWG\BURD\34-06.dwg

Skýringar: Explanations:	This drawing is the property of the ICELANDIC ALUMINIUM CO. LTD. and handed out for personal use only. It may neither be copied nor made available to others without permission of the ICELANDIC ALUMINIUM CO. LTD. The receiver is liable for any misuse.				
	Breyt. Rev.	Breyting Revision	Dags. Date	Samþ. Approved	Notk.heimil. Released
Tilk. teikningar nr. ISAL Ref. drawing no. of ISAL		Samsetn. teikningar nr. ISAL Assembly drawing no. of ISAL		1:10 1:50	

Fjöldi stúkkja Number of pieces	Hlutur Object	Athugið Item	Efn. Material	Eign. Weight (kg)	Eign. Dim.	Athugasemdir Remarks
IV III II I	TENGIGANGUR 56-57 (Matsbl. 56) TÆMIKLEFI FYRIR SKAUTMOLA STÁLVIKRI					Málsvári Scale Stafr. framtakn. Format of orig. A1 C/Cno - Eq. type - Eq. no. 5010BA3104
Vektali / Supplier	VERKFRÆÐISTOFA SIGURDAR THORODDSEN	Dæm. nr. of suppl. / Tekn. nr. of orig.	99.110-34.06			
Teiknað Drawn	Yfirforð Checked	Samþykkt Approved	algroup alusuisse primary materials	166896	166896	166896
Teiknað Drawn	Yfirforð og skrifað Checked and filed	Notkun heimil Released				

VST Verkefni
Sigurdar Thoroddson hf.
Sími: 4 100 1000 Fax: 400 1010