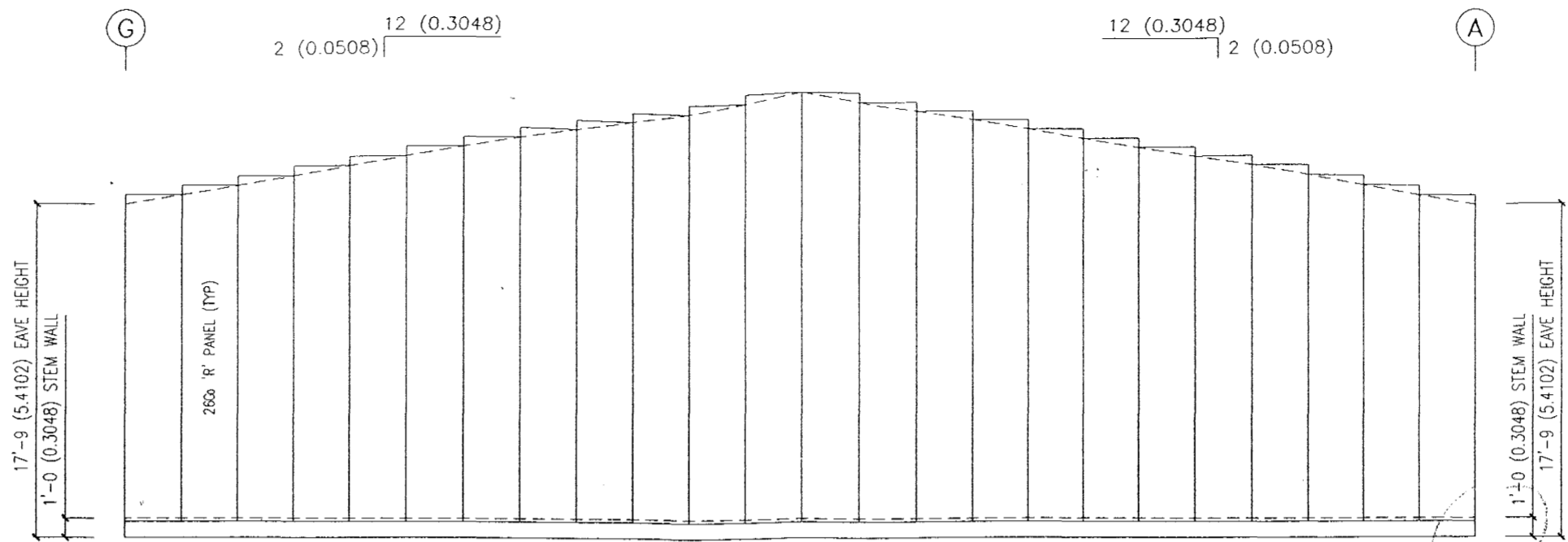
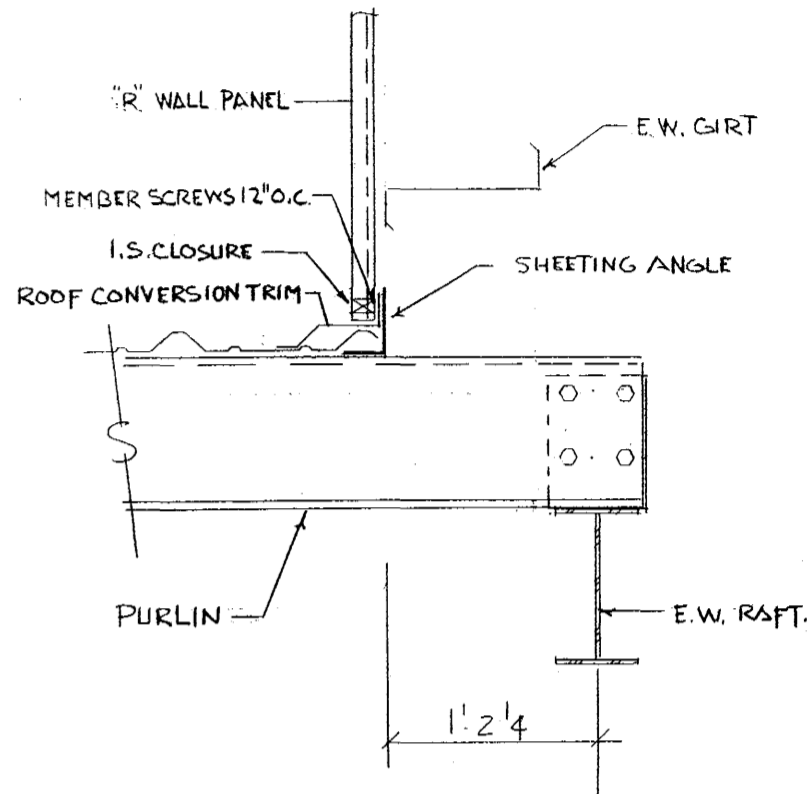


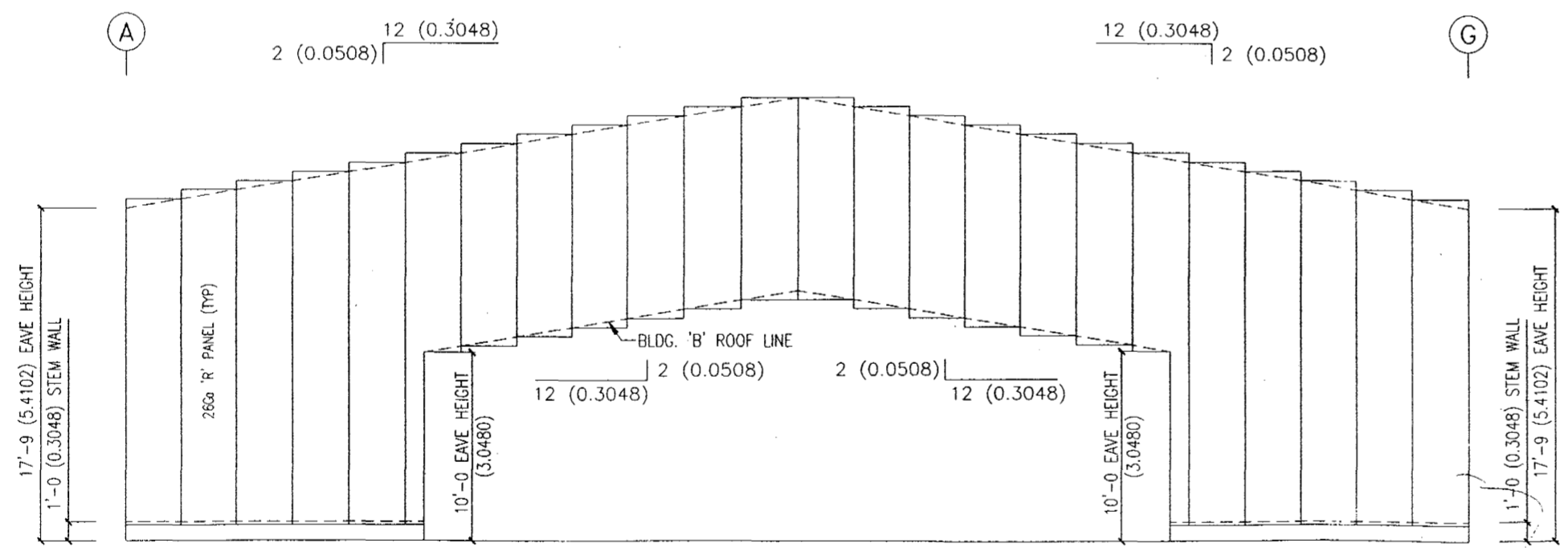
ENDWAL TIE-IN RAFTER



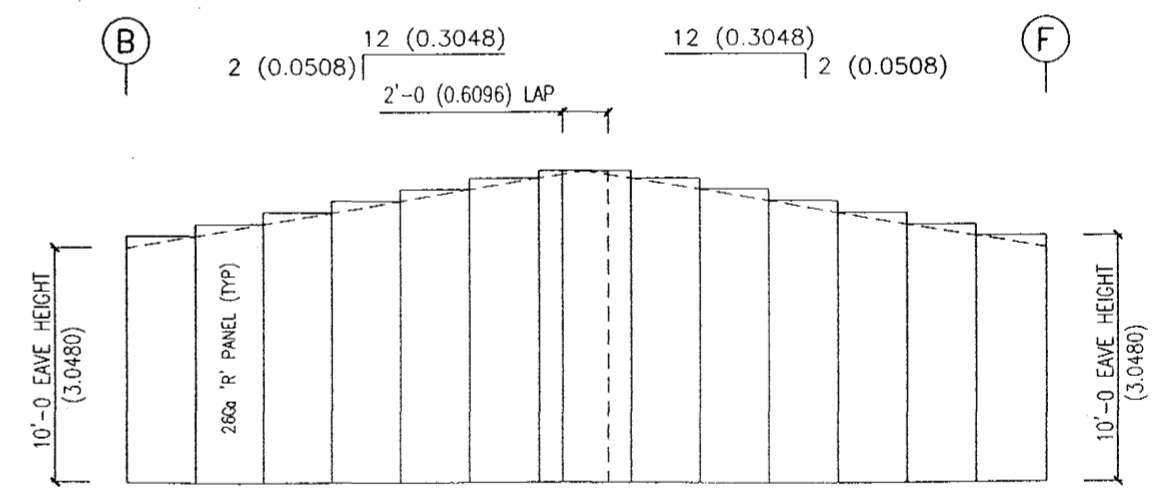
ENDWALL SHEETING AT LINE 1



SECTION THROUGH HI-Lo FRAMING



ENDWALL SHEETING AT LINE 5



ENDWALL SHEETING AT LINE 7

() - DENOTES METRIC

NOTE:
FIELD CUT PANELS
AS REQUIRED.

DRAWING STATUS	
<input type="checkbox"/>	EOR APPROVAL: THESE DRAWINGS, BEING FOR APPROVAL, ARE BY DEFINITION NOT FINAL, AND ARE FOR CONCEPTUAL REPRESENTATION ONLY. THEIR PURPOSE IS TO CONFIRM PROPER INTERPRETATION OF THE PROJECT DOCUMENTS. ONLY DRAWINGS ISSUED "FOR CONSTRUCTION" CAN BE CONSIDERED AS COMPLETE.
<input checked="" type="checkbox"/>	EOR PERMIT: THESE DRAWINGS, BEING FOR PERMIT, ARE BY DEFINITION NOT FINAL IN THAT, AS A MINIMUM, PIECE MARKINGS ARE NOT IDENTIFIED. ONLY DRAWINGS ISSUED "FOR CONSTRUCTION" CAN BE CONSIDERED AS COMPLETE.
<input checked="" type="checkbox"/>	EOR CONSTRUCTION: FINAL DRAWINGS.

REVISIONS			
NO.	DATE	DESCRIPTION	BY
A	11-7-01	FOR PERMIT	JWC

METALLIC metallic building company
7301 FAIRVIEW • HOUSTON, TEXAS • P.O. BOX 40338
77041 (713) 466-7788 ZIP 77240

DESCRIPTION	ENDWALL SHEETING / KLADNING GAFLVEGGJA
SIZE	SEE BUILDING DESCRIPTION SHEET C1
CUSTOMER	SCAN-STEEL INTERNATIONAL TRUCKSTATION
LOCATION	ICELAND
DRN. BY	CK'D BY
DATE	SCALE
JOB NO.	PH
0105-197484	BLOC. DESC. (AREA)
A	SHEET NO.
E4 of 7	ISSUE
A	

NOTE: THE UNDERSIGNED IS NOT THE ENGINEER OF RECORD FOR THE OVERALL PROJECT.

Byggingafultrúi Hafnarfjarðar
Algreitt barn

18 NOV. 2002

Samp. Jon Ludvigson

Hannan