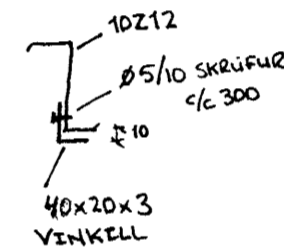


VINKLAR SKRIFFAST MEDAN
 Á LANGRÖND Í PAU Í STÆRA HÖNDUN.



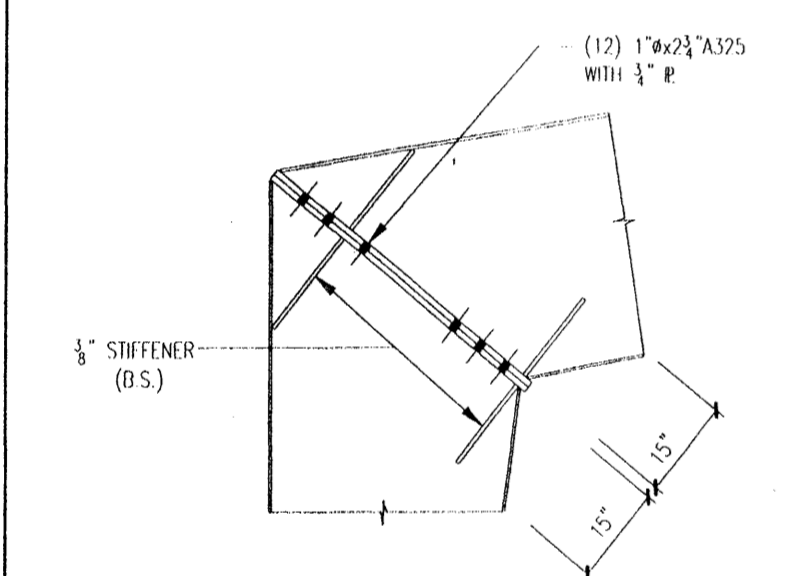
HRINGHELLA 4, HAFNARFIRÐI

BREYTING 7/6-2002
 LANGRÖND Í PAU SETT MED BLUNU
 1.5446 M HEST OG PAU STYRUT MED
 VINULUM - SJÁ OFAN
 NEÐSÁ RIL (TVO) MILLI LANGRÖND 0.7509 M

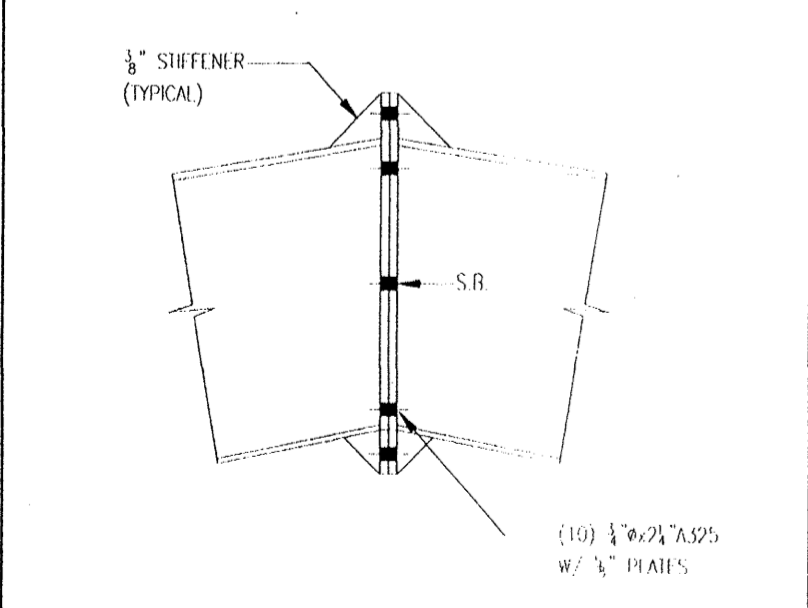
BREYTING 24/3-2002
 LANGRÖND Í PAU SETT
 MED BLUNU 1.5446 M HEST
 OFAN RIL

NOTE: THE UNDERSIGNED IS
 NOT THE ENGINEER OF RECORD
 FOR THE OVERALL PROJECT.

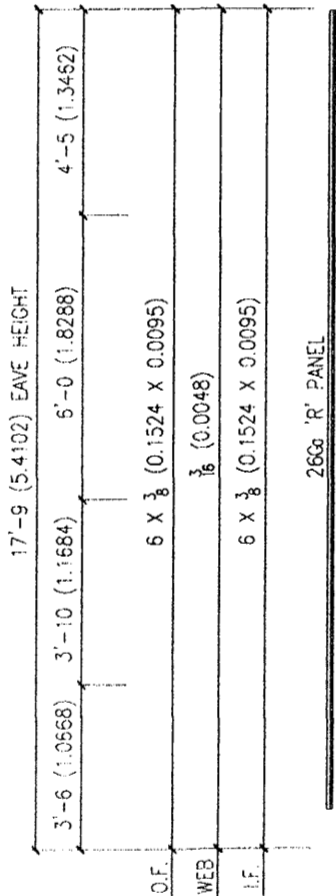
Byggingafulltrúi
 Atgreitt þann
 18 NOV 2002



KNEE CONNECTION DETAIL



PEAK CONNECTION DETAIL



CROSS SECTION					
FLANGE BRACE BLT QTY	MARK	QTY	W/RS (1/2")	SPRUE THICKNESS	BOLT LENGTH
	B		N	1/2"	2 1/2"
	C		N	1/2"	2 1/2"

DRAWING STATUS

FOR APPROVAL... THESE DRAWINGS, BEING FOR APPROVAL, ARE BY DEFINITION NOT FINAL AND ARE FOR CONCEPTUAL REPRESENTATION ONLY. THEIR PURPOSE IS TO CONFIRM PROPER INTERPRETATION OF THE PROJECT DOCUMENTS. ONLY DRAWINGS ISSUED "FOR CONSTRUCTION" CAN BE CONSIDERED AS COMPLETE.

FOR PERMIT... THESE DRAWINGS, BEING FOR PERMIT, ARE BY DEFINITION NOT FINAL IN THAT, AS A MINIMUM, PIECE MARKINGS ARE NOT IDENTIFIED ONLY DRAWINGS ISSUED "FOR CONSTRUCTION" CAN BE CONSIDERED AS COMPLETE.

FOR CONSTRUCTION... FINAL DRAWINGS.

REVISIONS			
NO.	DATE	DESCRIPTION	BY
A	11-7-01	FOR PERMIT	JWC

METALLIC metallic building company

7301 FAIRVIEW • HOUSTON, TEXAS • P.O. BOX 40338
 ZIP 77041 (713) 466-7788 ZIP 77240

DESCRIPTION: FRAME CROSS SECTION / BYERSNEB VIO RAMMA LÍNUM 2-4
 SIZE: SEE BUILDING DESCRIPTION SHEET C1
 CUSTOMER: SCAN STEEL INTERNATIONAL
 LOCATION: ICELAND
 DRN BY: CKD BY: DATE: SCALE: NONE JOB NO: 0105-19/484
 SHEET NO: 5 of 7