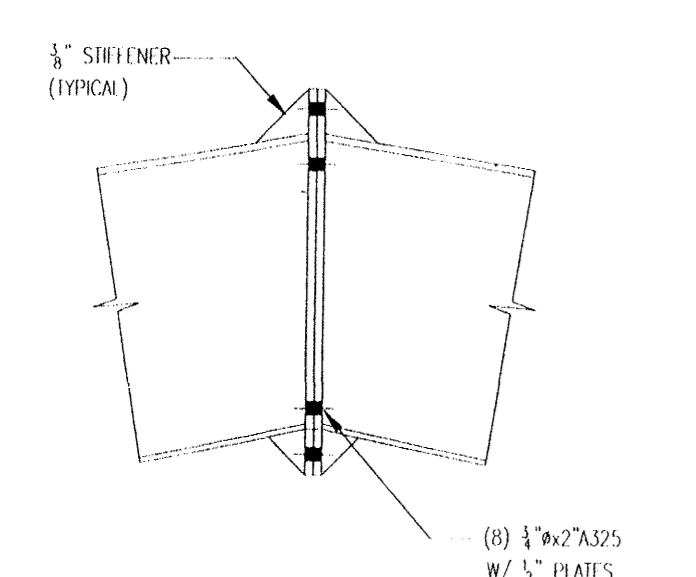
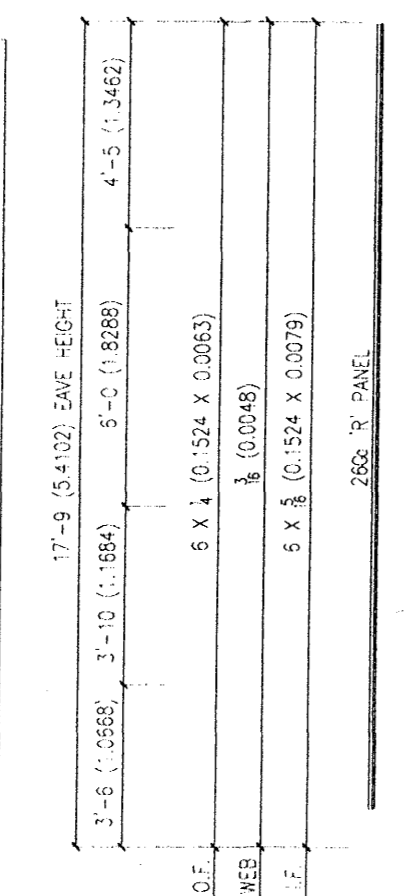


KNEE CONNECTION DETAIL



PEAK CONNECTION DETAIL



FRAME CROSS SECTION AT LINE 5 (BLDG. 'A')

CROSS SECTION					
FLANGE BRACE	BLT QTY	SPACES	PLATE	PLATE	PLATE
MARK	QTY	INCH	INCH	INCH	INCH
D	N	1	1	2 1/2	2 1/2
E	N	3	1	2 1/2	2 1/2

DRAWING STATUS

FOR APPROVAL: THESE DRAWINGS, BEING FOR APPROVAL, ARE BY DEFINITION NOT FINAL AND ARE FOR CONCEPTUAL REPRESENTATION ONLY. THEIR PURPOSE IS TO CONFIRM PROPER INTERPRETATION OF THE PROJECT DOCUMENTS. ONLY DRAWINGS ISSUED "FOR CONSTRUCTION" CAN BE CONSIDERED AS COMPLETE.

FOR PERMIT: THESE DRAWINGS, BEING FOR PERMIT, ARE BY DEFINITION NOT FINAL IN THAT, AS A MINIMUM, P/CL MARKINGS ARE NOT IDENTIFIED. ONLY DRAWINGS ISSUED "FOR CONSTRUCTION" CAN BE CONSIDERED AS COMPLETE.

FOR CONSTRUCTION: FOR CONSTRUCTION. FINAL DRAWINGS.

NO.		DATE	DESCRIPTION	BY	CHKD
A	1	11-7-01	FOR PERMIT	JWC	

METALLIC metallic building company

2301 FAIRVIEW • HOUSTON, TEXAS • P.O. BOX 40338
77071-0338 (713) 466-1788 281-77240

DESCRIPTION: FRAME CROSS SECTION / BYERSNID VIÐ RAMMA LÍNU 5
 SIZE: SEE BUILDING DESCRIPTION SHEET C1
 CUSTOMER: SCAN-STEEL INTERNATIONAL
 LOCATION: ICELAND
 SHEET NO: 16 of 7
 DATE: 0105 19/784

VENKLAR SKRIFAÐST HEÐAN
 Á LANGBÖND I PALLI Í STÆRA HÖRSNUM.

10Z12
 Ø5/10 SKRUFUR
 4/6 300
 40x20x3
 VENKELL

HRINGHELLA 4, HAFNARFIRÐI

BREYTING 7/6-2002
 LANGBÖND I PALLI SEIT MED BILUNU
 1.5446M HEST OG ÞAU STYKLT MED
 VINNUM - SÍÐ ORAN.
 NEBSTU BIL (RVÖ) MIÐI LANGB. 0.7509 M

Breyting 26/3-2002
 Langbönd í palli sett
 með bilinu 1.25M HEST
 JÖFN BIL

NOTE: THE UNDERSIGNED IS
 NOT THE ENGINEER OF RECORD
 FOR THE OVERALL PROJECT

Byggingaútlitir Hafnarfjarðar
 Átgreitt þann
 18 NOV 2002