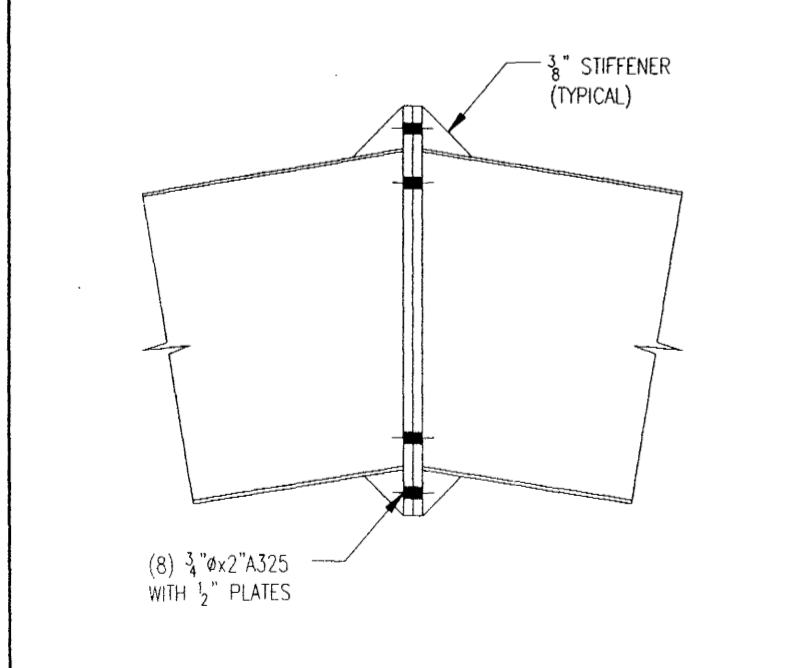


KNEE CONNECTION DETAIL



PEAK CONNECTION DETAIL

CROSS SECTION

FLANGE BRACE	BLT QTY	5" x 1" MB
MARK	QTY	QTY
F	N	2
G	N	2

DRAWING STATUS

EQB APPROVAL... THESE DRAWINGS, BEING FOR APPROVAL, ARE BY DEFINITION NOT FINAL AND ARE FOR CONCEPTUAL REPRESENTATION ONLY. THEIR PURPOSE IS TO CONFIRM PROPER INTERPRETATION OF THE PROJECT DOCUMENTS. ONLY DRAWINGS ISSUED "FOR CONSTRUCTION" CAN BE CONSIDERED AS COMPLETE.

THESE DRAWINGS, BEING FOR PERMIT, ARE BY DEFINITION NOT FINAL IN THAT, AS A MINIMUM, PIECE MARKINGS ARE NOT IDENTIFIED, ONLY DRAWINGS ISSUED "FOR CONSTRUCTION" CAN BE CONSIDERED AS COMPLETE.

EQB CONSTRUCTION... FINAL DRAWINGS

REVISIONS

NO.	DATE	DESCRIPTION	BY	CHK'D
A	11-7-01	FOR PERMIT	JW	

HRINGHELLA 4, HAFNARFIRÐI

NOTE: THE UNDERSIGNED IS NOT THE ENGINEER OF RECORD FOR THE OVERALL PROJECT.

DISN: [] APR: []
APR: [] DATE: []

Byggingafultrúi Hafnarfjarða
Atgretti banni

18 NOV 2002

metallic building company
7301 FAIRVIEW • HOUSTON, TEXAS • P.O. BOX 40338
ZIP 77041 (713) 466-7788 ZIP 77240

DESCRIPTION: FRAME CROSS SECTION / HVERSNIÐ VÍÐ RAMMA Í LÍNU 6
SIZE: SEE BUILDING DESCRIPTION SHEET C1
CUSTOMER: SCAN-STEEL INTERNATIONAL TRUCKSTATION
LOCATION: ICELAND
DRN BY: [] CK'D BY: [] DATE: [] SCALE: NONE
JOB NO: 0105-197484 PH: [] BLDG. DESC: [] SHEET NO: E7 of 7
ISSUE: []

Samþ. Jon Luson.