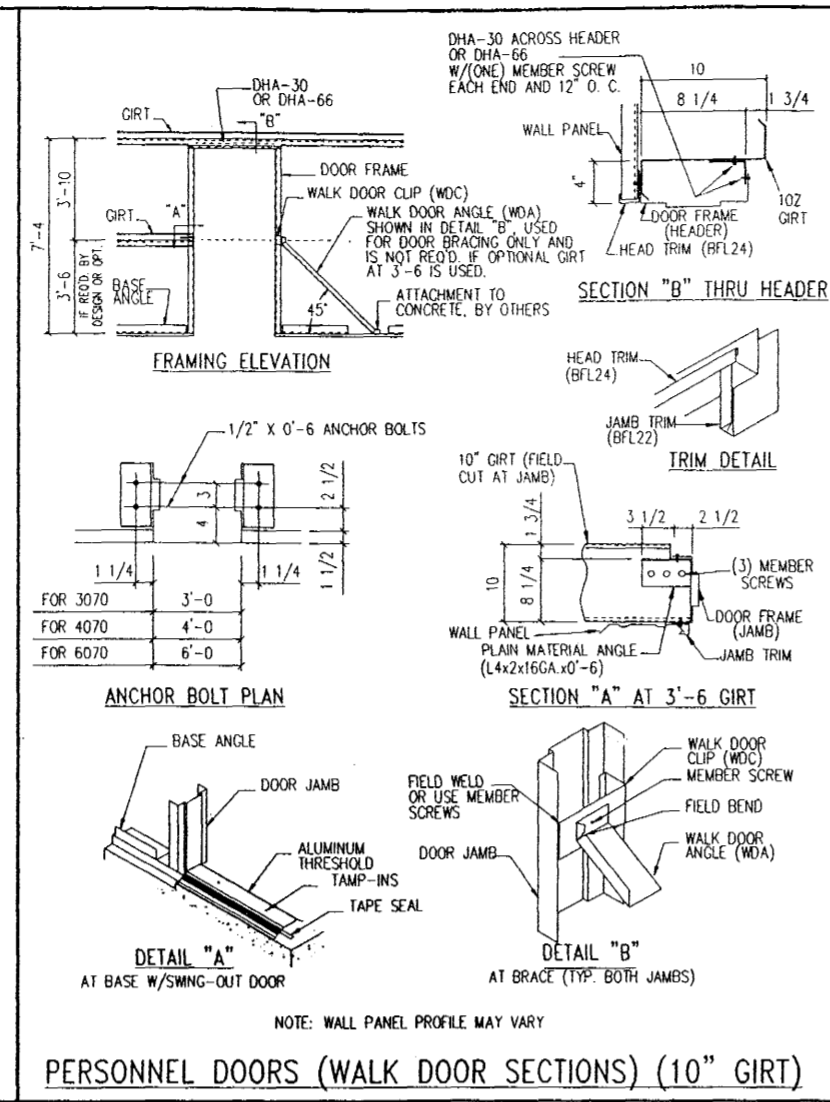


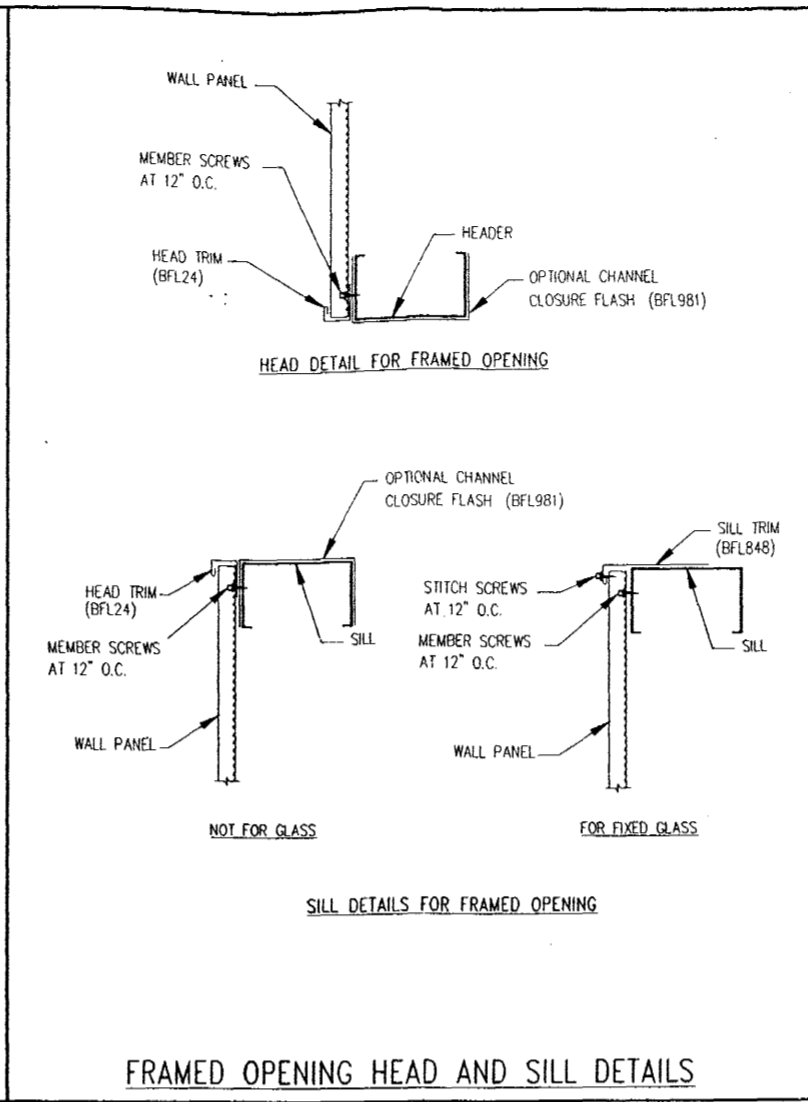
Section Thru Rake at Main Frame By-Pass Endwall

NS0013A



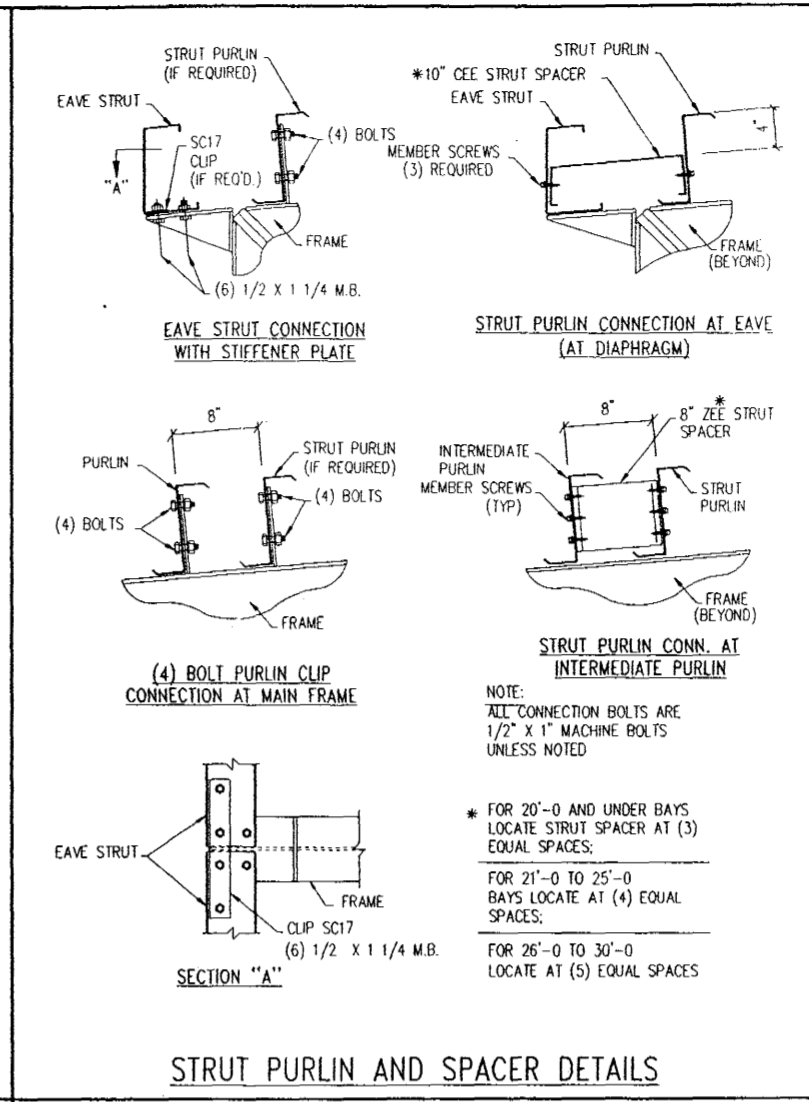
PERSONNEL DOORS (WALK DOOR SECTIONS) (10" GIRT)

NS0020B



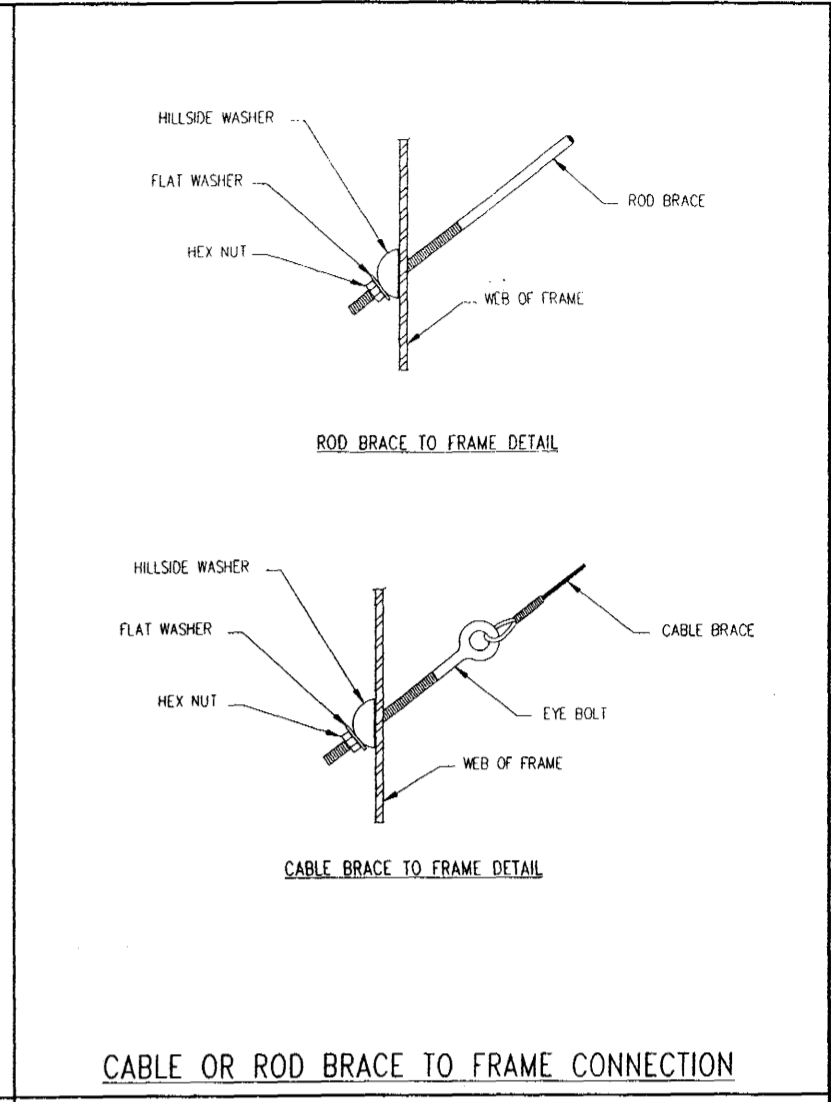
FRAMED OPENING HEAD AND SILL DETAILS

NS0023



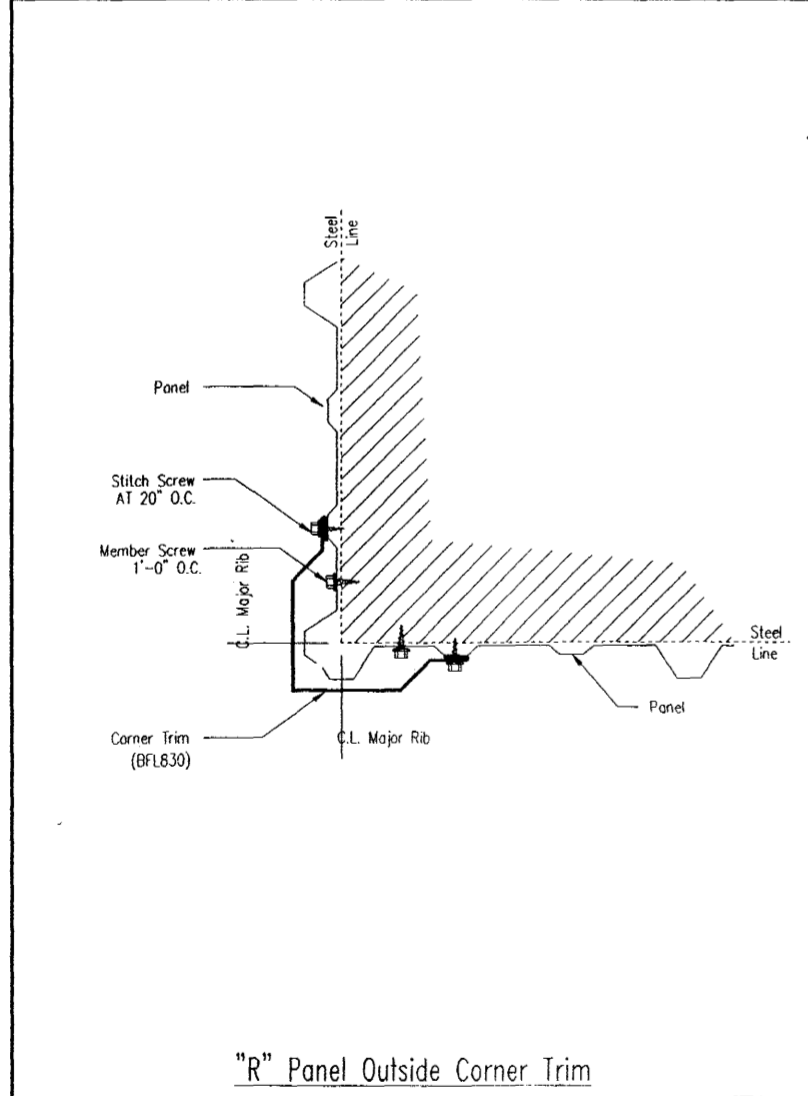
STRUT PURLIN AND SPACER DETAILS

NS0048



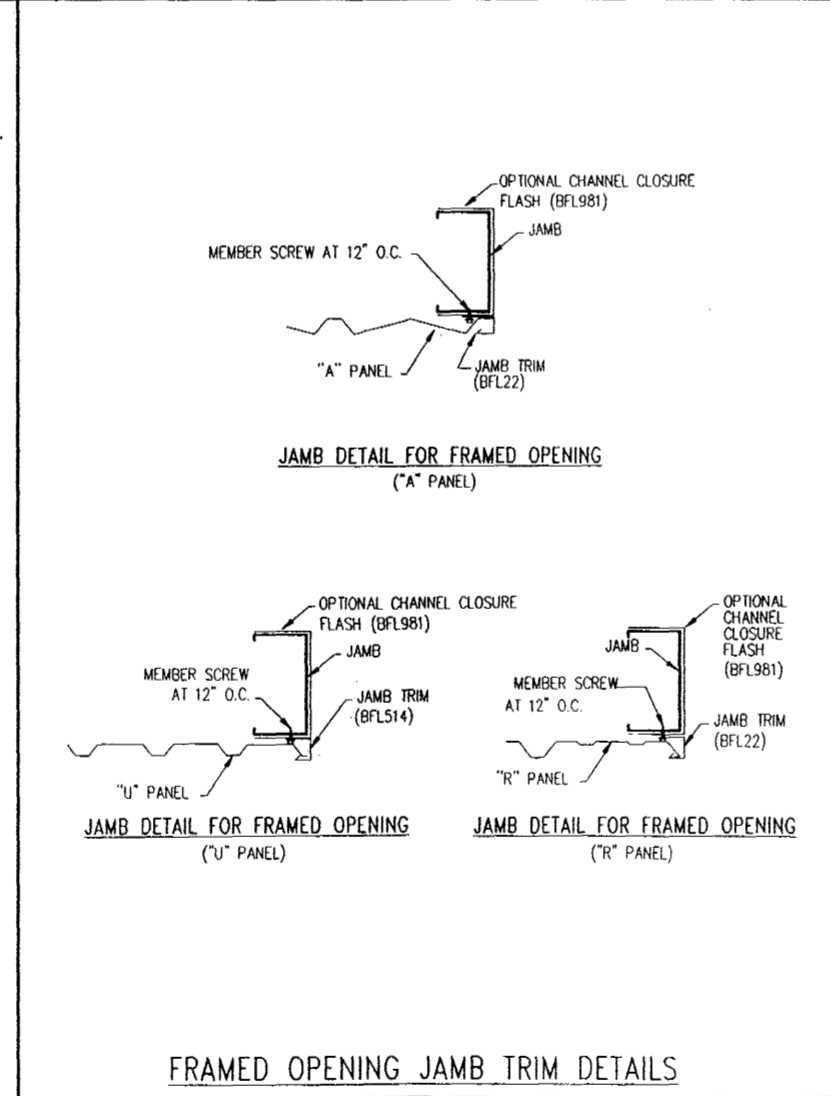
CABLE OR ROD BRACE TO FRAME CONNECTION

NS0053



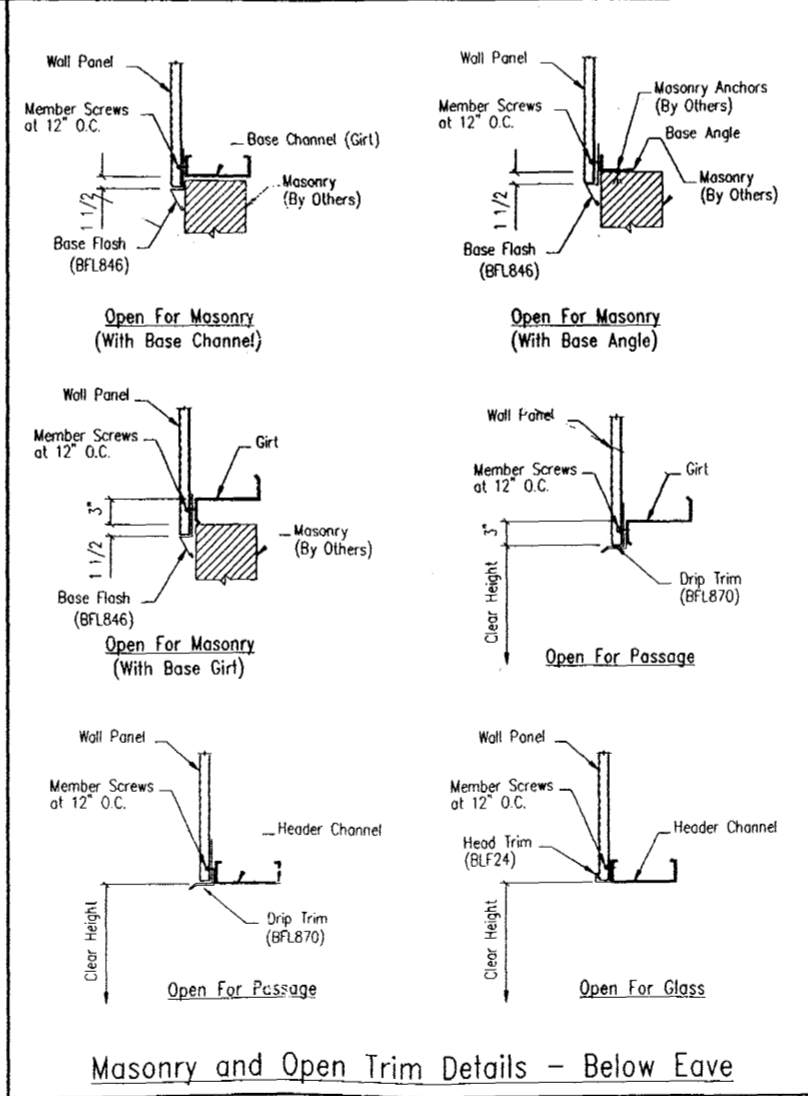
"R" Panel Outside Corner Trim

NS0015



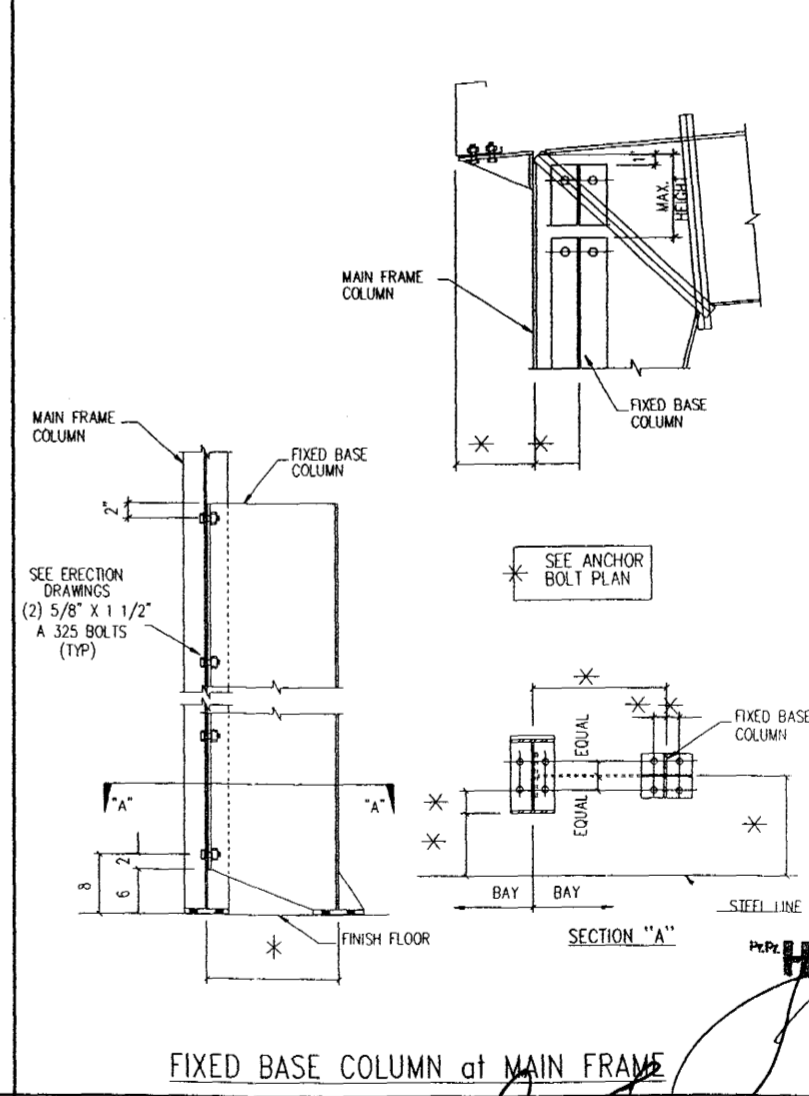
FRAMED OPENING JAMB TRIM DETAILS

NS0022



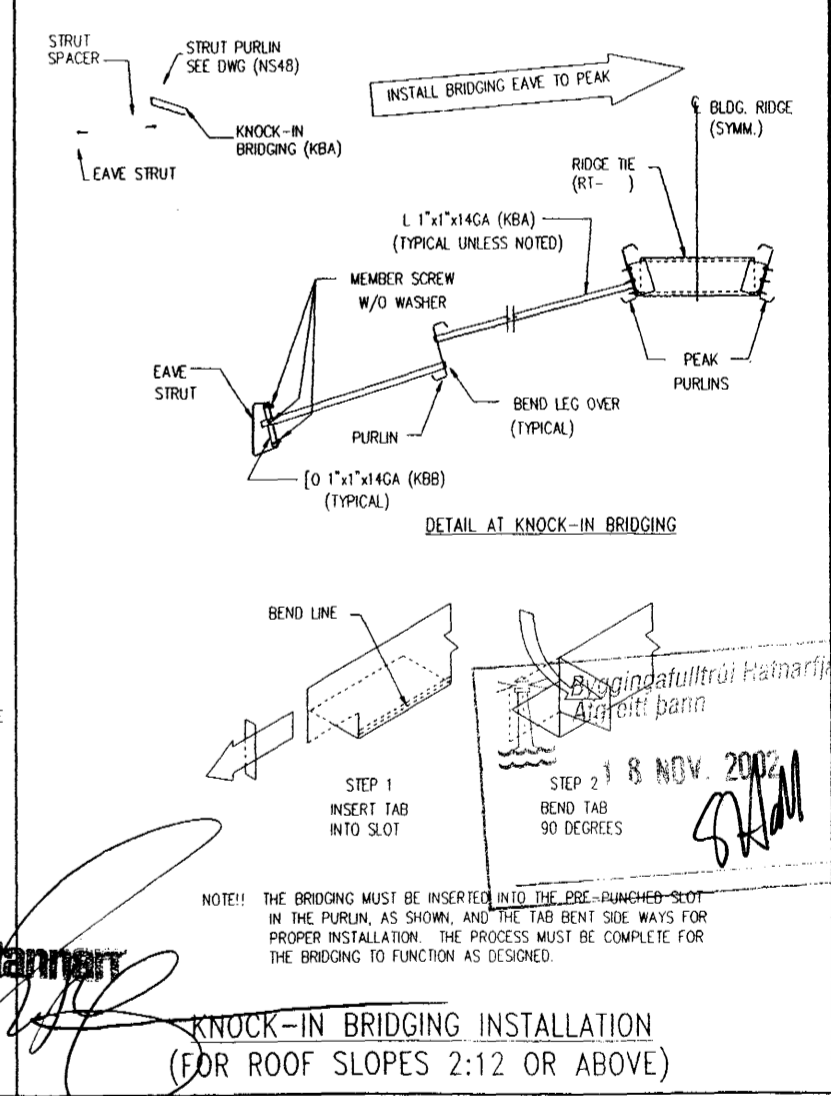
Masonry and Open Trim Details - Below Eave

NS0045



FIXED BASE COLUMN at MAIN FRAME

NS0049



KNOCK-IN BRIDGING INSTALLATION (FOR ROOF SLOPES 2:12 OR ABOVE)

NS0059A HRINGHELLA 4, HAFNARFJÖRÐI

NOTE: These drawings are intended to depict general installation of item(s) described above. Some item(s) may have been omitted for clarity of presentation. Consult your erection manual or additional S-Sheets for further guidelines and/or clarifications.

REVISIONS			
NO.	DATE	DESCRIPTION	BY
A	11-7-01	FOR PERMIT	DWC

Standard Details
DELLAUSNIER

Customer: SCAN - STEEL INTERNATIONAL
End User: TRUCKSTATION
Location: ICELAND

Det By: [Signature] Ck By: [Signature] Date: [Blank] Scale: N.T.S. Building ID: [Blank] Job Number: 0105-197484 Sheet Number: S-2 Issue: A