

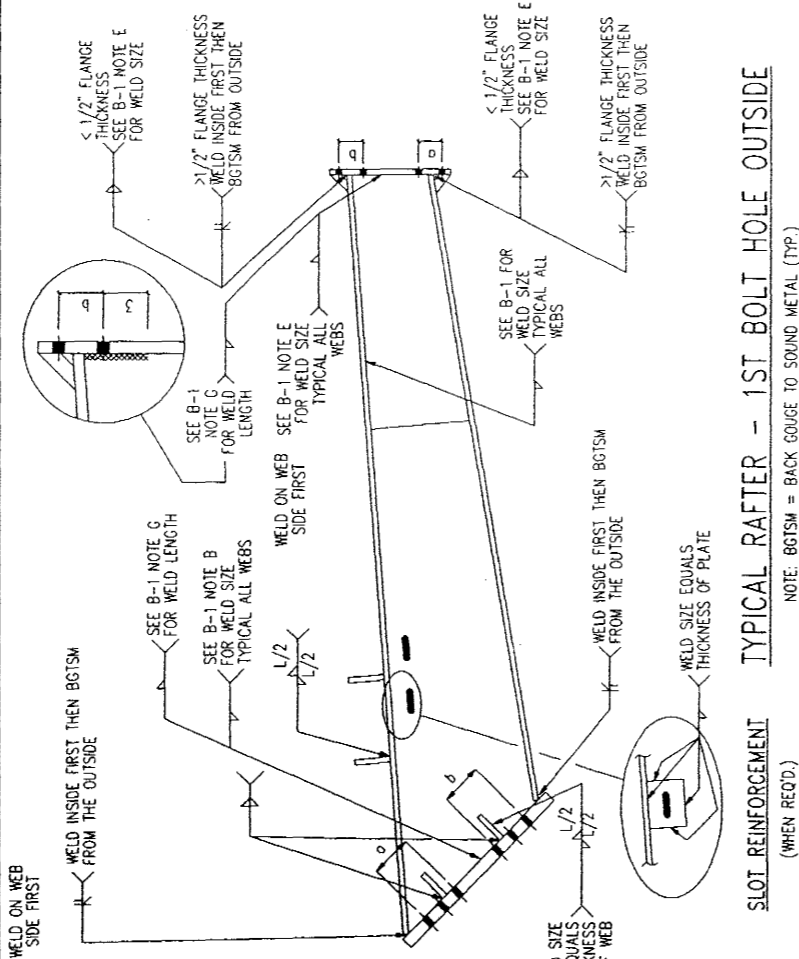
WELD STANDARD GENERAL NOTES

SIZES OF FILLET WELD FOR WEB TO FLANGE WELD.

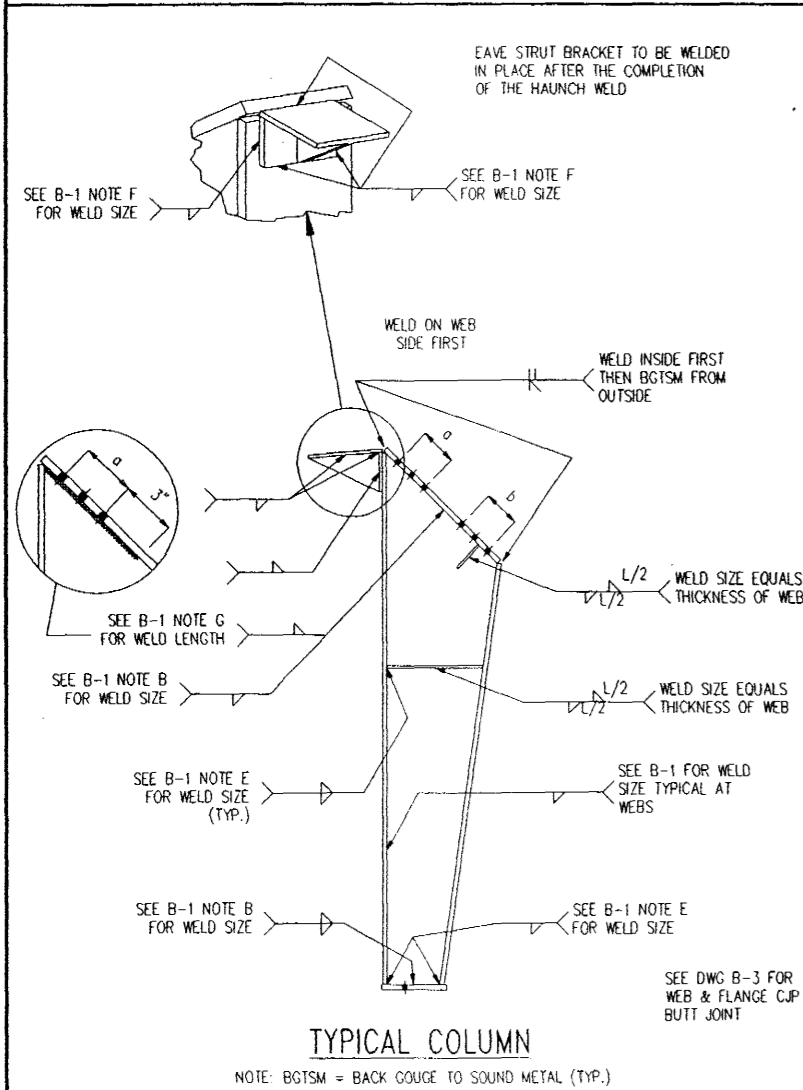
WEB THICKNESS	FLANGE THICKNESS		
	3/16"	1/4" TO 1/2"	OVER 1/2"
10 GA. & 3/16"	3/16"	SEE NOTE B	SEE NOTE B
1/4"	SEE NOTE A	3/16"	SEE NOTE B
5/16"	SEE NOTE A	1/4"	SEE NOTE B
3/8"	SEE NOTE A	5/16"	SEE NOTE B
OVER 3/8"	SEE NOTE C		

NOTES:

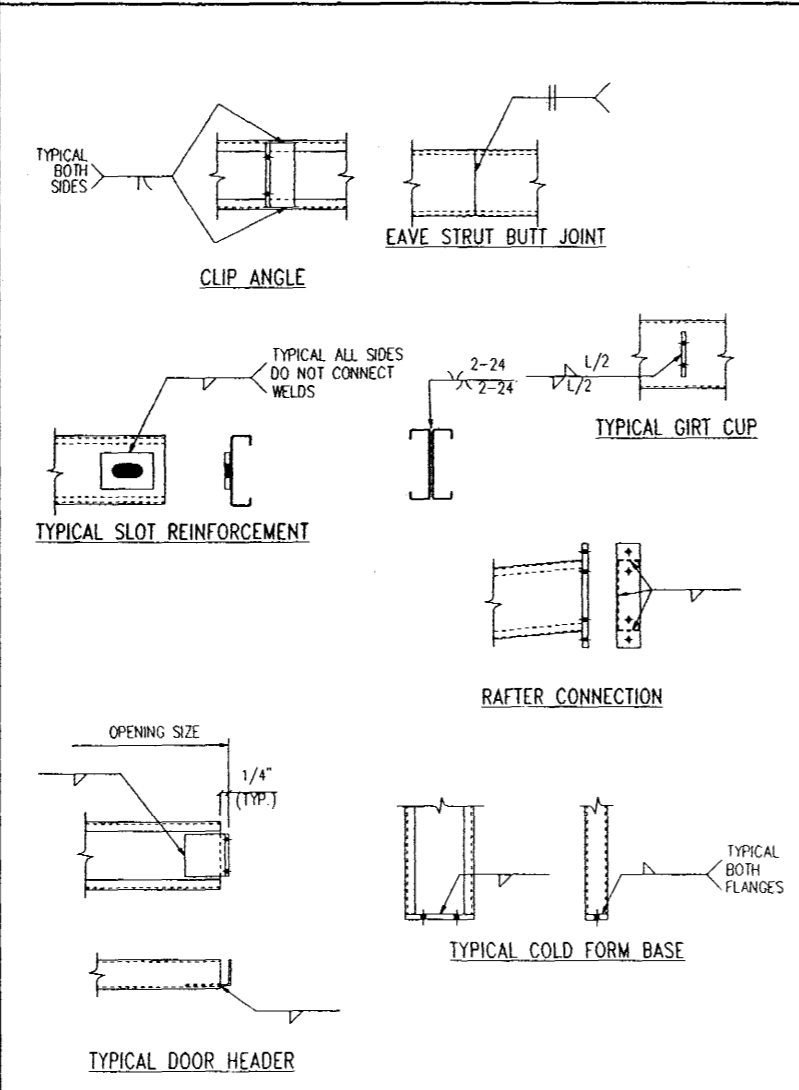
- A. 3/16" FLANGES ARE NOT TO BE USED FOR WEB THICKNESS OF 1/4" OR OVER UNLESS SPECIFIED BY ENGINEERING.
- B. WELD SIZE EQUALS TO THICKNESS OF WEB.
- C. FOR WEB THICKNESS OVER 3/8" ALL FILLET SIZES ARE TO BE SPECIFIED BY ENGINEERING.
- D. WELD BOTH SIDES OF WEB TO FLANGE 3" BEYOND BOTH ENDS OF BRACKET.
- E. MINIMUM WELD SIZES ARE DETERMINED BY THE FOLLOWING CRITERIA:
(t = THICKNESS OF THINNER PART)
IF $t < 3/8"$ WELD SIZE = THICKNESS OF THINNER
IF $t \leq 3/8"$ WELD SIZE = 5/16"
- F. WELD SIZE IS TO BE 1/16" LESS THAN THICKER PART, BUT NOT TO EXCEED THICKNESS OF THINNER PART. (MAX SIZE: 5/8")
- G. OPPOSITE SIDE WELD LENGTH TO BE "a" DIMENSION PLUS 3 INCHES, AND "b" DIMENSION PLUS 3 INCHES.



B0001



B0003



B0002

B0014

NOTE:

1. These drawings are intended to depict general installation of item(s) described above. Some item(s) may have been omitted for clarity of presentation. Consult your erection manual or additional S-Sheets for further guidelines and/or clarifications.

Byggingafulltrú samantjarðir
Afgreitt þann
18 NOV 2002
S. Ald

Hamarr

Samr. Jon Lunn

HRINGHELLA 4, HAFNARFIRÐI

REVISIONS			
NO.	DATE	DESCRIPTION	BY / CK'D
A	11.7.01	FOR PERMIT	JWC

Standard Details
DEILLAUSNIR

Customer:	SCAN - STEEL INTERNATIONAL						
End User:	TRUCKSTATION						
Location:	ICELAND						
Del. By:	Chk By:	Date:	Scale:	Building ID:	Job Number:	Sheet Number:	Issue:
			N.T.S.		0105-197484	W-1	A