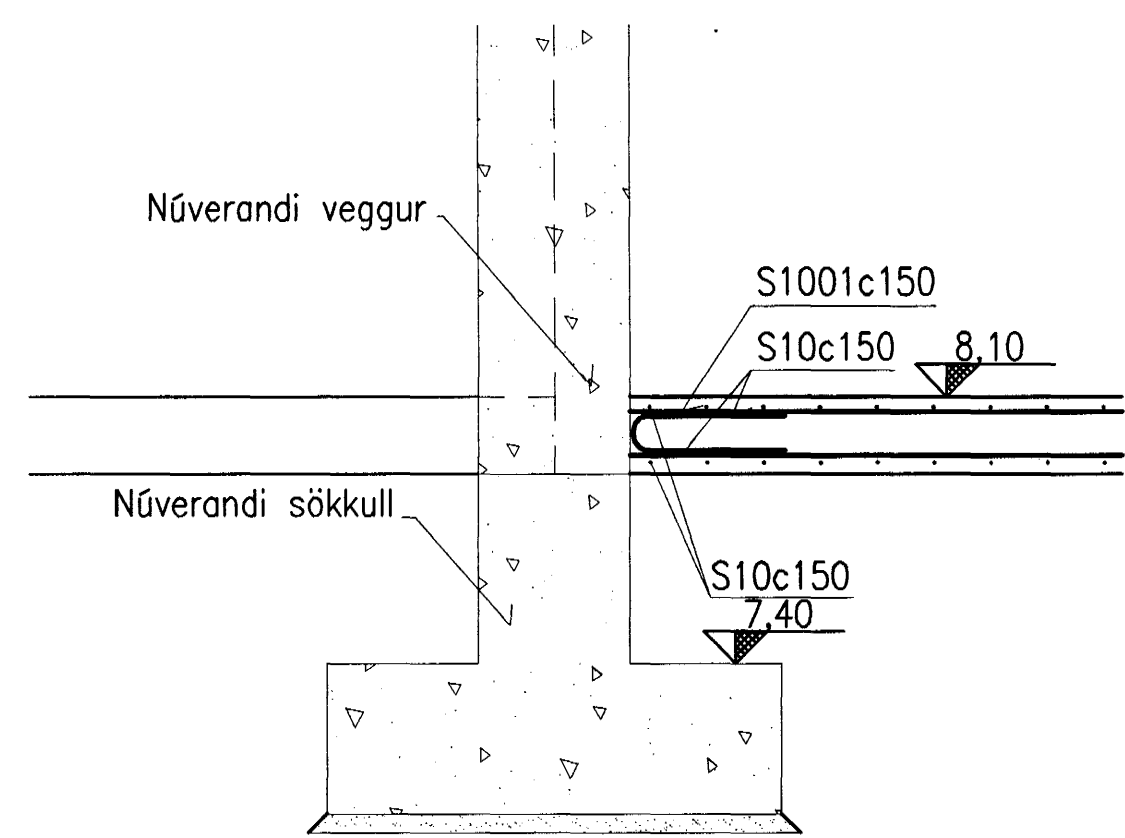
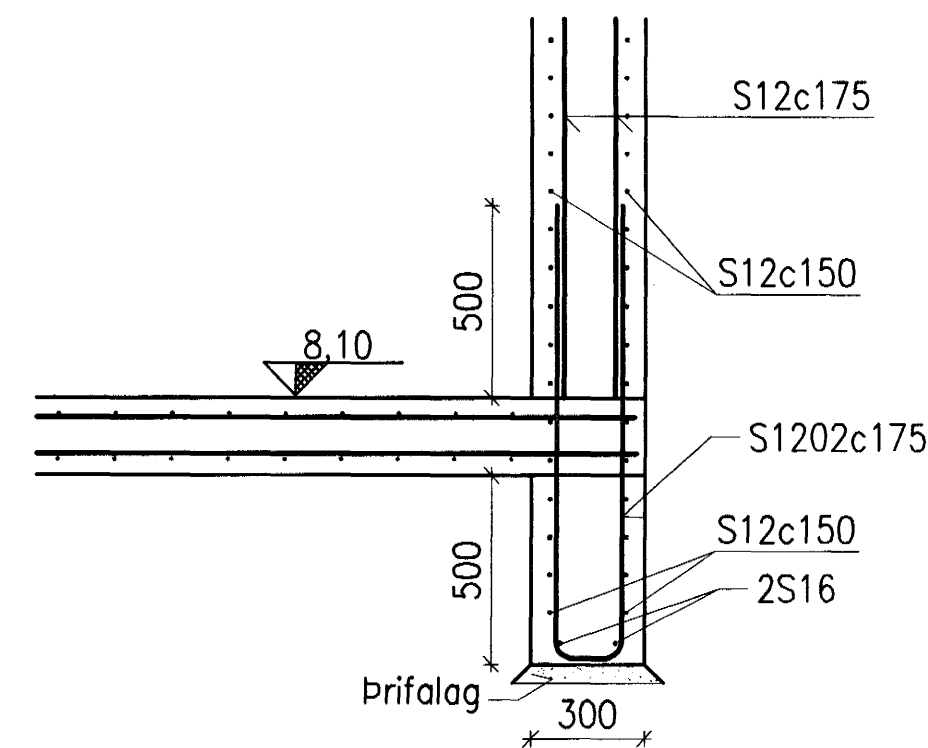


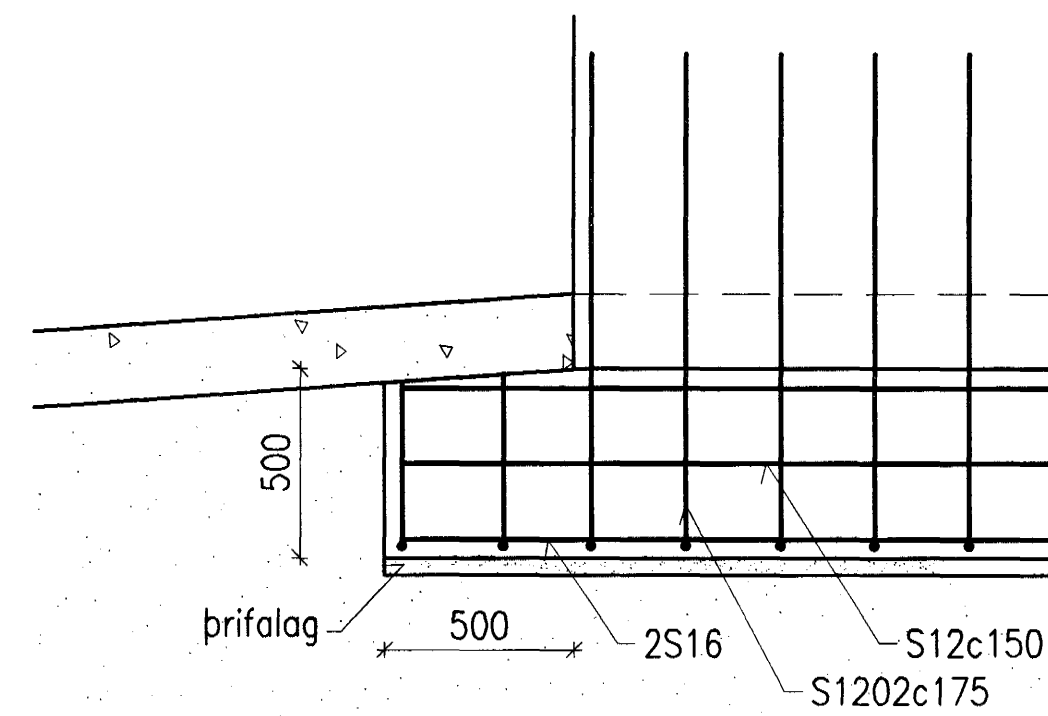
P1 UNDIRSTÖÐUR, PLAN 1:50



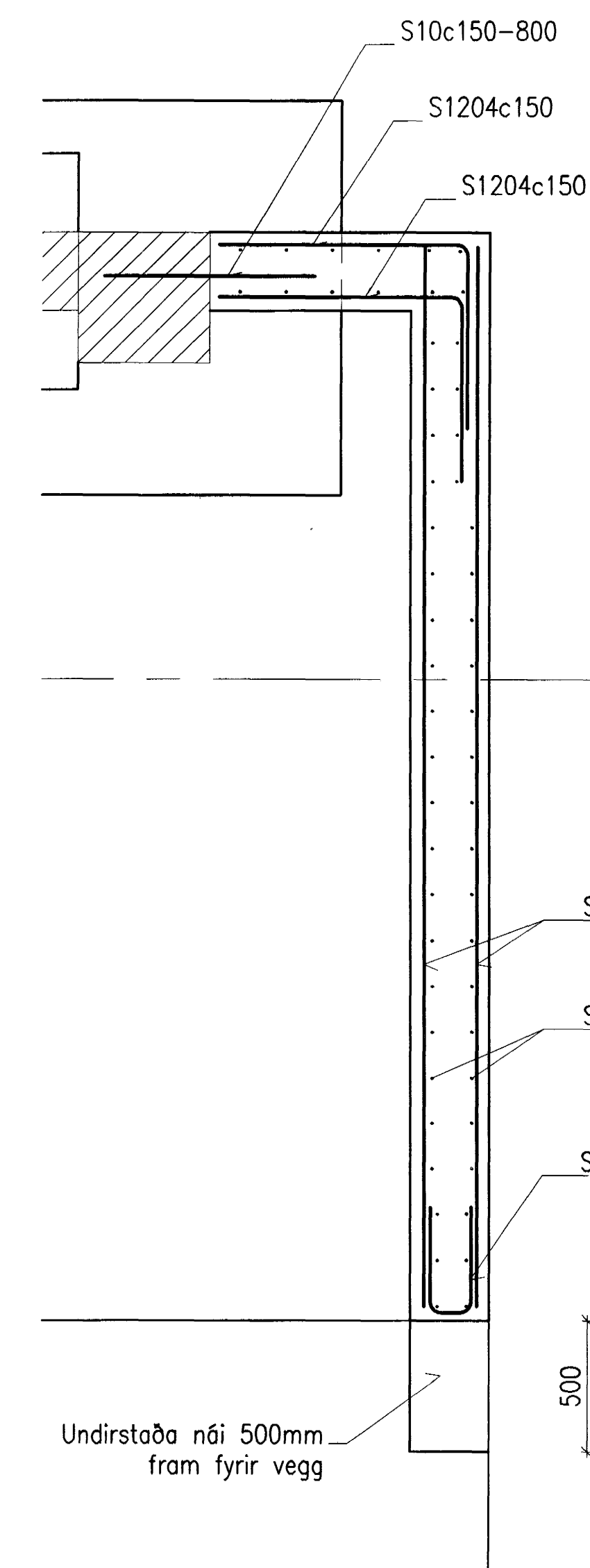
S1 SNID 1:20



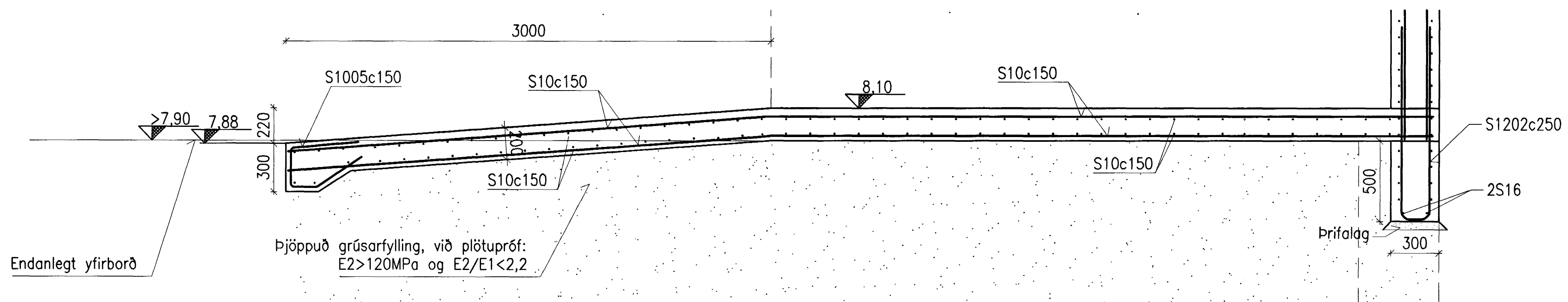
S2 SNID 1:20



S4 SNID 1:20



P2 VEGGUR, PLAN 1:50

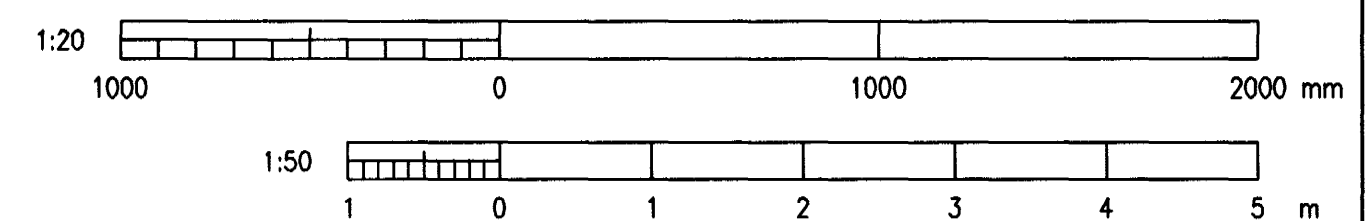


S3 SNID 1:20

Númer í járnaskrá

S1001	S1202	S1003	S1204	S1005
400	1300	400	700	400
130	200	200	1000	250/300 150

Öll mál eru í millimetrum.
Hæðir eru gefnar í metrum í staðbundnu hnitakerfi ISAL



J:\99-1xx\99110\verkl 59-vortuf\DWG\168202.dwg

Skýringar:
Explanations:

This drawing is the property of the ICELANDIC ALUMINIUM CO. LTD. and handed out for personal use only. It may neither be copied nor made available to others without permission of the ICELANDIC ALUMINIUM CO. LTD. The receiver is liable for any misuse.

Fjöldi stykja Number of pieces	Hlutur Object	Alnúmer Item	Efni Material	Eq.stk Weight (kg)	Totall heild Total weight	Alhugssemdir Remarks
IV III II I	TENGANGUR 56-57					
	KLEFI FYRIR VÖRTUFRÆS					
	STEYPUVIRKI					
Verktali / Supplier	Dr. no. of suppl. / Item no. vendor / Drawn	Dr. no. of suppl. / Item no. vendor / Checked	Dr. no. of suppl. / Item no. vendor / Approved	Dr. no. of suppl. / Item no. vendor / Released	Dr. no. of suppl. / Item no. vendor / Released	Dr. no. of suppl. / Item no. vendor / Released
ISAL Alcan Iceland Ltd	99.110-59.02	HFB	13.11.2002	Niðulindan	168202	

VST Verkefni Sigurðar Thoroddsen hf.
Sími 595 5000 Fax 595 5010