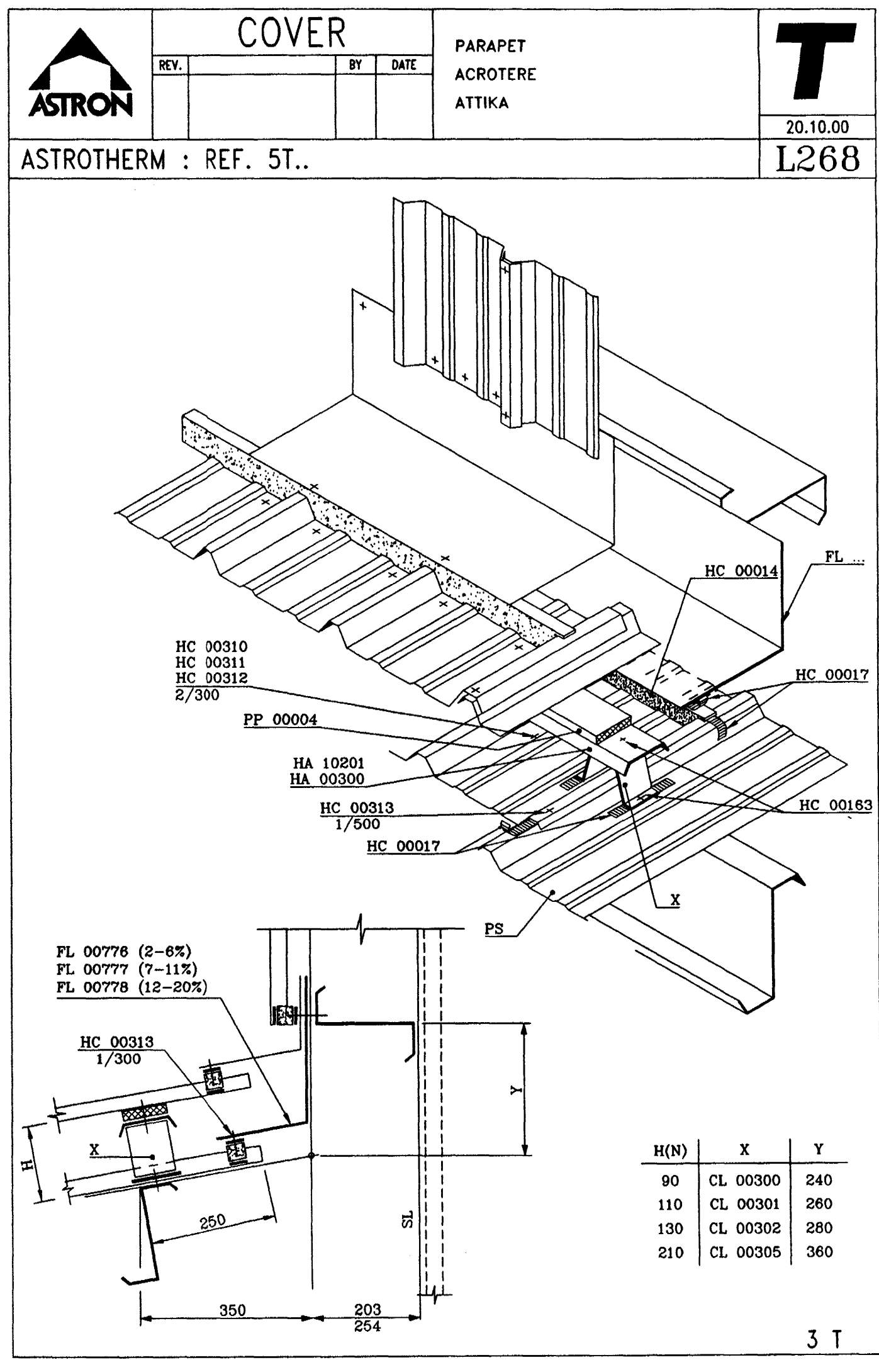
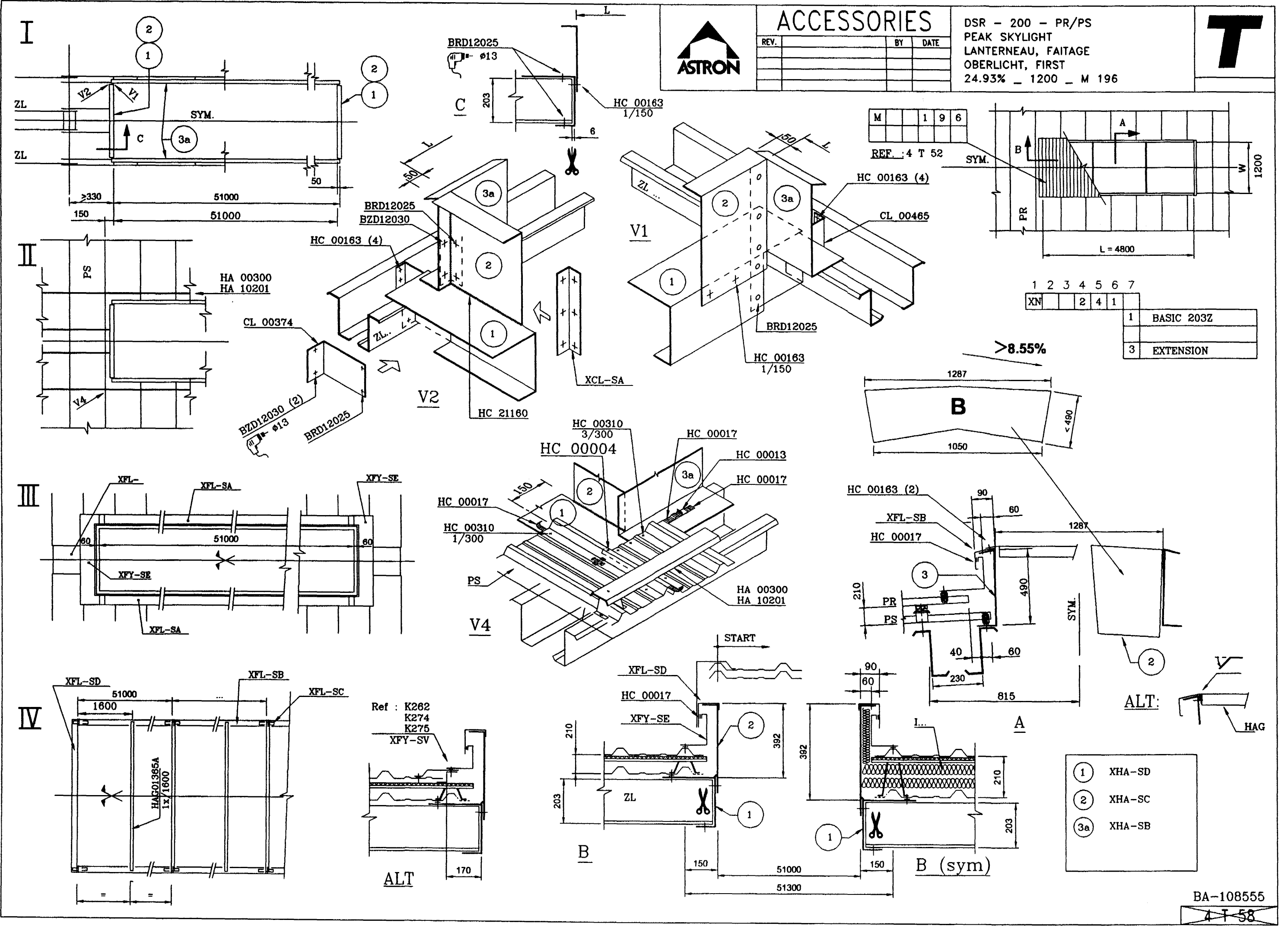
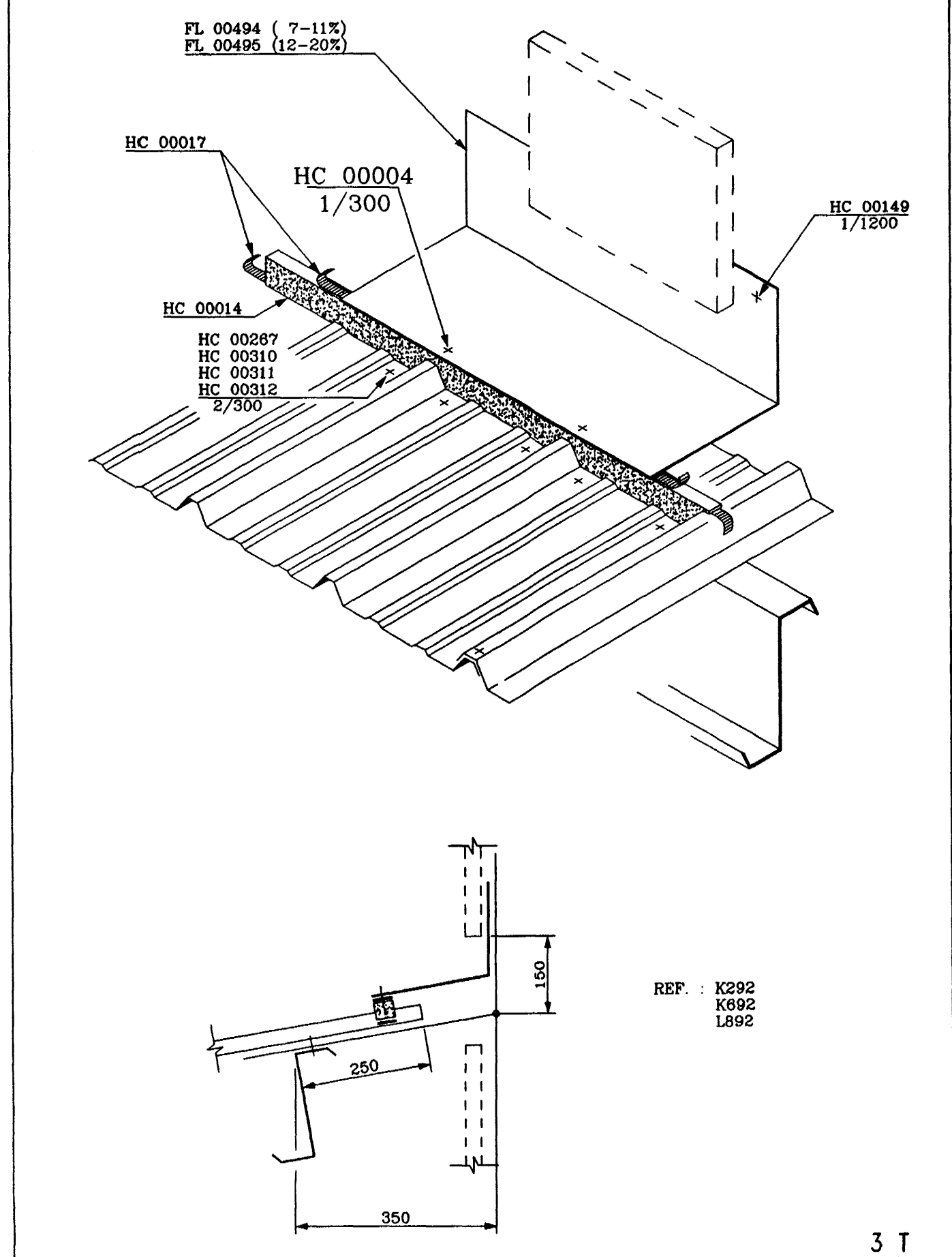
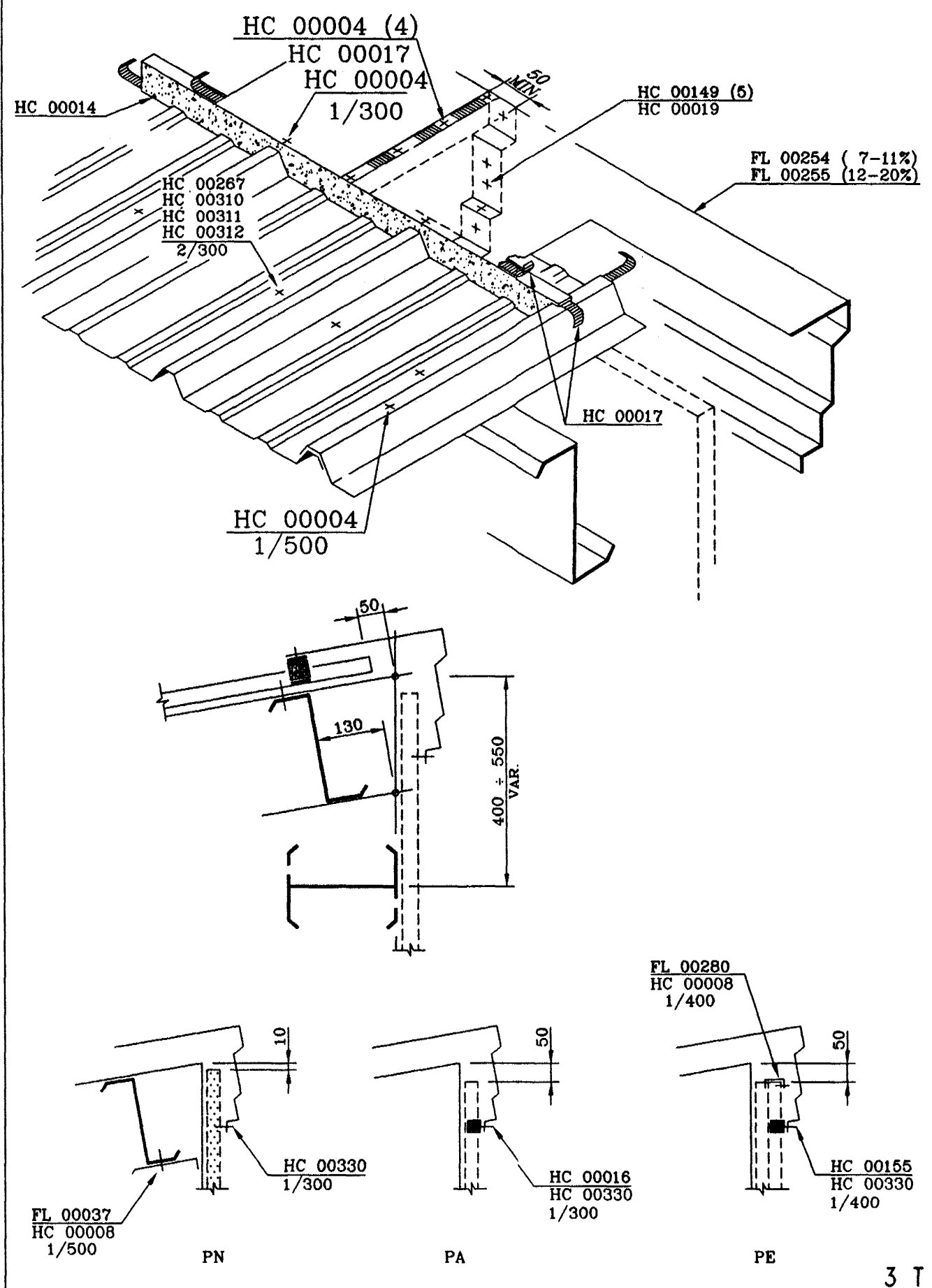
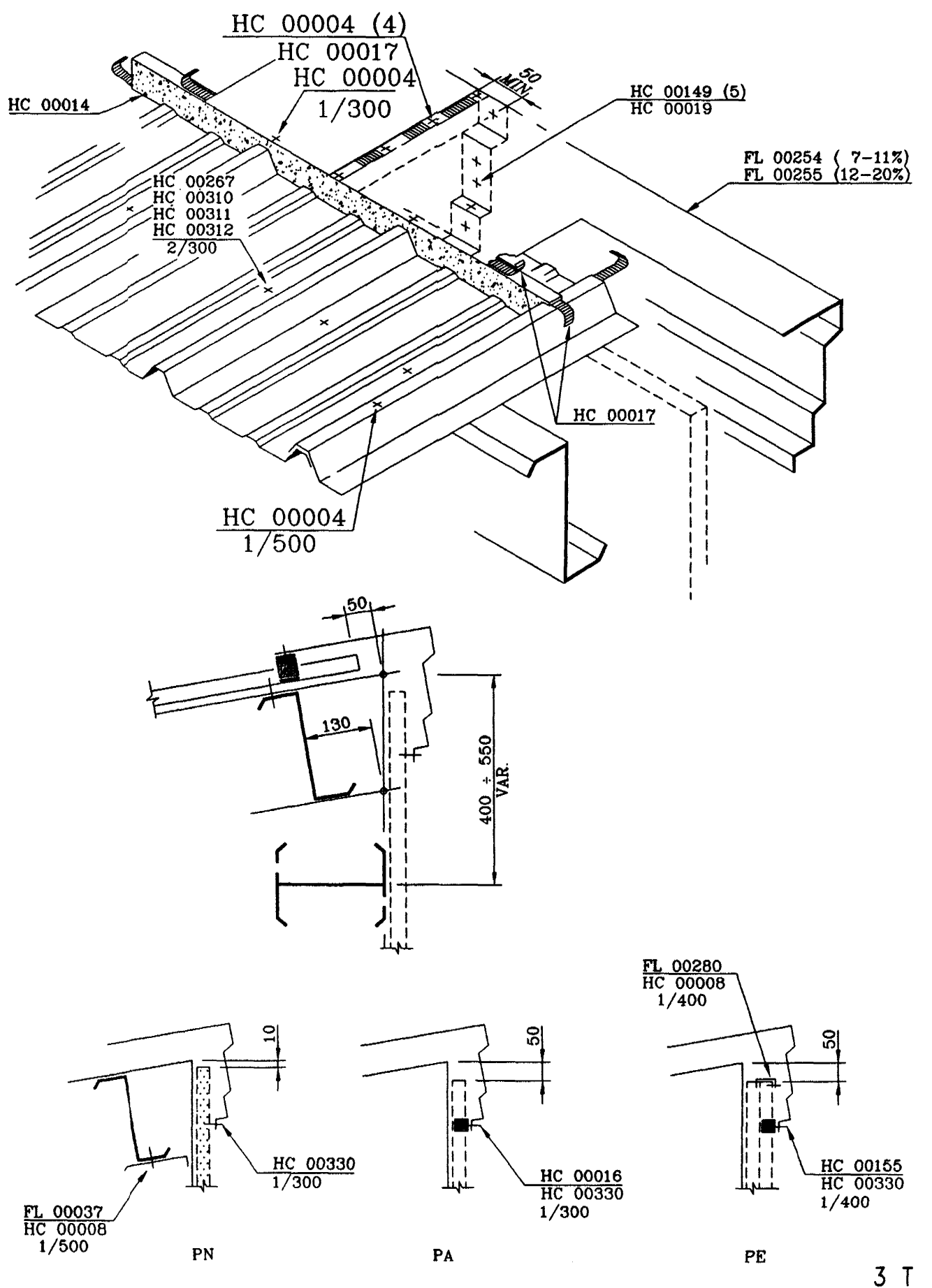
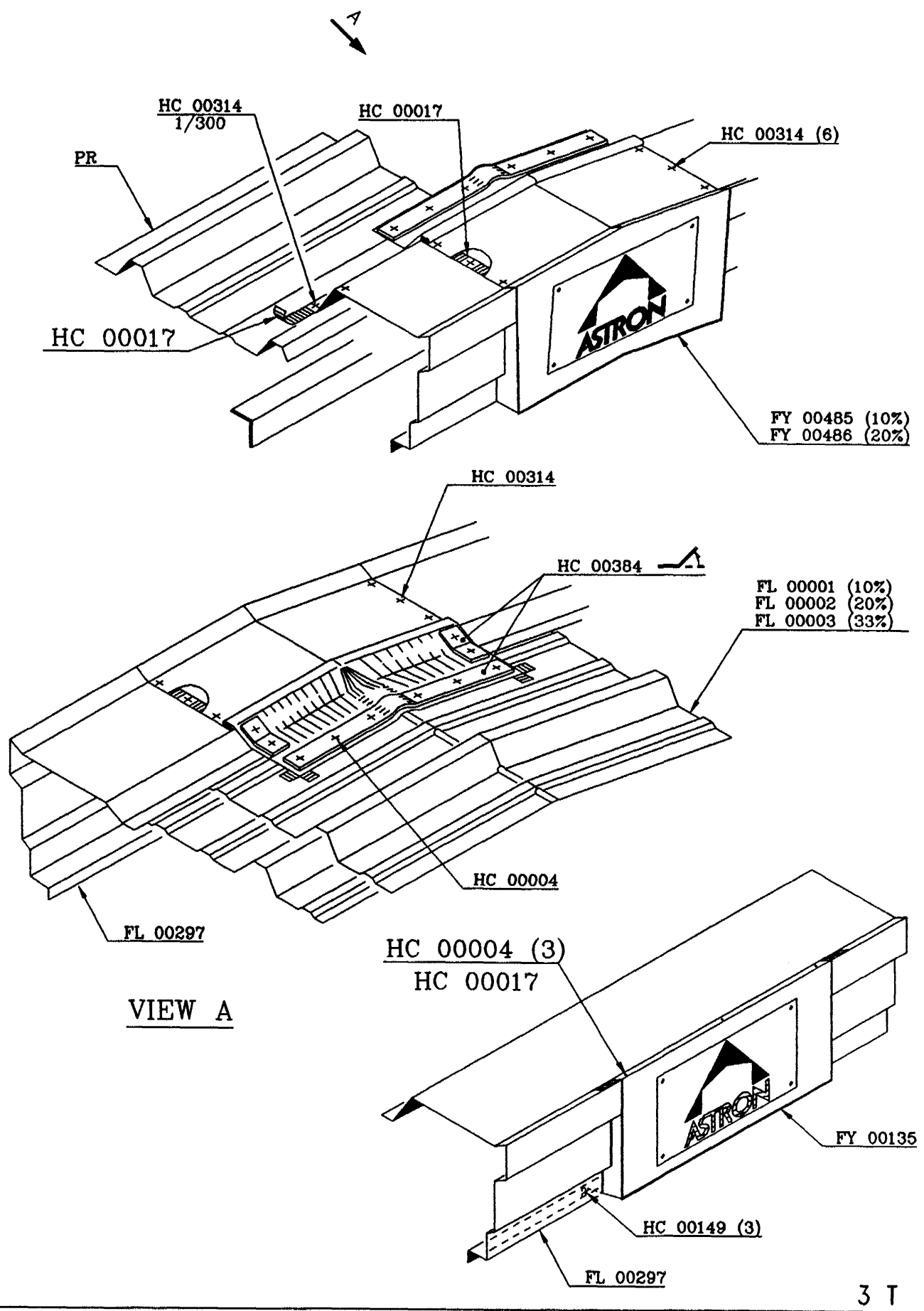


<b>COVER</b> REV. 5 NEW MAKE BY DATE 10.02.98 ROOF COVER (Iceland version) <b>T</b> ASTRON 01.03.84			<b>COVER</b> REV. 5 HC 0001 / GENERAL BY DATE 03.03.93 REDRAWN R.P. 15.01.98 CHANGE FIX. OF FL 37 O.P. 25.04.00 S. DR. FAST. + HC 00287 S.C. 10.07.00 ROOF COVER (Iceland version) <b>T</b> ASTRON 01.03.84			<b>COVER</b> REV. 5 HC 0001 / GENERAL BY DATE 03.03.93 REDRAWN R.P. 15.01.98 CHANGE FIX. OF FL 37 O.P. 25.04.00 S. DR. FAST. + HC 00287 S.C. 10.07.00 ROOF COVER (Iceland version) <b>T</b> ASTRON 01.03.84			<b>COVER</b> REV. 5 HC 0001 / GENERAL BY DATE 03.03.93 REDRAWN R.P. 15.01.98 CHANGE FIX. OF FL 37 O.P. 25.04.00 S. DR. FAST. + HC 00287 S.C. 10.07.00 ROOF/WALL JOINTS (Iceland version) <b>T</b> ASTRON 01.03.84		
---	--	--	--	--	--	--	--	--	--	--	--

ASTROTHERM : REF. 5T.. XK207 ASTROTHERM : REF. 5T.. XK210 ASTROTHERM : REF. 5T.. XK210 ASTROTHERM : REF. 5T.. XK250



K.Rafnsson Tæknipjónusta  
 Klappartíg 20 • 101 Reykjavík  
 Kt. 220850-2189  
*A.H.S.*

**TECHNICAL NOTES**

- Drawings to read in conjunction with ASTRON technical manual
- All measures in millimeters
- \* = Field adapted
- Design of foundations by local engineer
- Applicable column reactions see chart "Foundation Reactions"
- Purlin spacings are rounded to mm and cannot be added
- Flange bracings installation per standard detail W1 chapter
- Field locate roof openings and accessories
- Compensation of panel tolerance currently during installation
- Unless noted differently:
  - Purlin diaphragms - At peak (see W316, W326, W327) - Double purlins (see W311, W321)
  - Wind bracing details, see chapter W2
  - Roof stabilisation if necessary:
    - Purlin spacers (HSA, HSB, HSC, HSD. SEE W37 AND W38)
    - Sag rods (RSG...) see W6 and cross section
    - Tie straps (HC 250) see W7 chapter
- Field cut and adapt girts and panels shown in overlap with an accessory element

This design is the property of ASTRON BUILDINGS, a Division of Parker Hannifin. Copying and manufacturing components according to these drawings or calculations is illegal.

Byggingaflutiróttur Háttarjaróttur  
 20 NOV. 2002

PROJ:	MHL-2 - Háttarjaróttur	BID:	Stalex
BUILDING:		CRANE:	
LOADS:			
NORMS:	PRIM IST SEC NS	MENOL - 16x07	
ASTRON	XK207, XK210, XK250, Peak skylight	DEILIMYNDIR	
REV. A			
REV. B			
REV. C			
ASTRON BUILDINGS S.A.	P.O.Box152 - L-9202 DIEKRICH-LUXEMBOURG	Tel:+352 80 29 11 - Fax:+352 80 34 66	