

**COVER**

REV.	BY	DATE
1	H DM	01.07.98
2	AIR TIGHTNESS	05.01.01

DOUBLE SKIN ROOF  
(Iceland version)

**T** ASTRON

**COVER**

REV.	BY	DATE
6	CHANGED OVERLAP	10.12.96
7	CHANGE FL. OF FL. 00499	22.04.20
8	ADD HC 00267	12.12.00

ROOF COVER  
(Iceland version)

**T** ASTRON

**COVER**

REV.	BY	DATE
3	DELETE INS. GENERAL FASTENER	01.03.90
4		15.01.98
5		11.06.98
6	ADD HC 00267	01.04.99

ROOF COVER  
(Iceland version)

**T** ASTRON

**COVER**

REV.	BY	DATE
1	REVISED + COMPL.	15.02.89
2	GENERAL FASTENER	15.01.98
3	ADD HC 00267	11.06.98
4		01.04.99

ROOF COVER  
(Iceland version)

**T** ASTRON

**COVER**

REV.	BY	DATE
7	START STOP CONDITION	05.01.98
8	SELF DRILLING FASTENERS	10.07.00

ROOF COVER  
(Iceland version)

**T** ASTRON

**COVER**

REV.	BY	DATE
5	NEW RAKE	10.02.98
6	FY 00130/L/R	01.12.98

ROOF COVER  
(Iceland version)

**T** ASTRON

**COVER**

REV.	BY	DATE
1	REVISED + COMPL.	15.02.89
2	GENERAL FASTENER	15.01.98
3	ADD HC 00267	11.06.98
4		01.04.99

ROOF COVER  
(Iceland version)

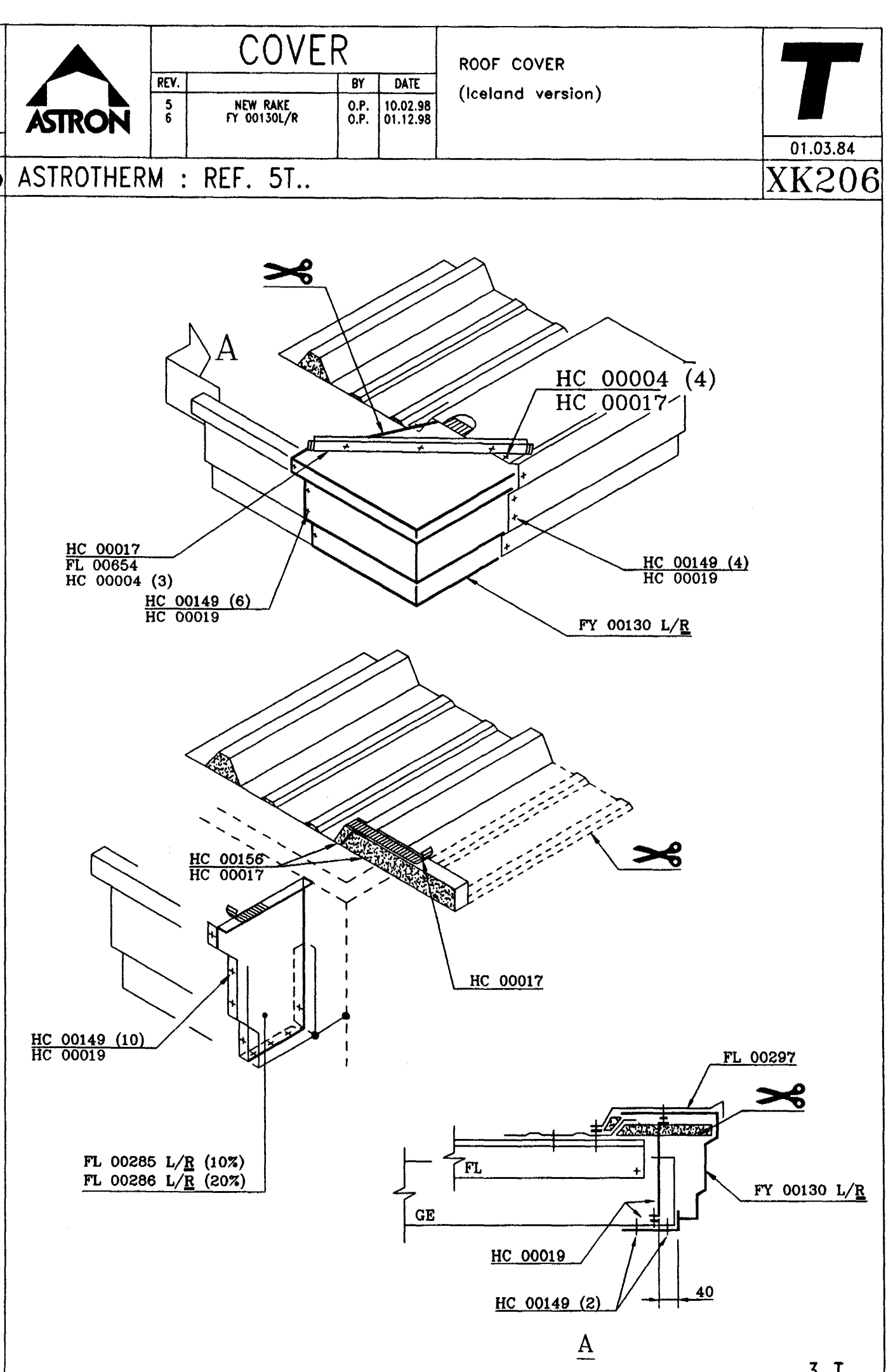
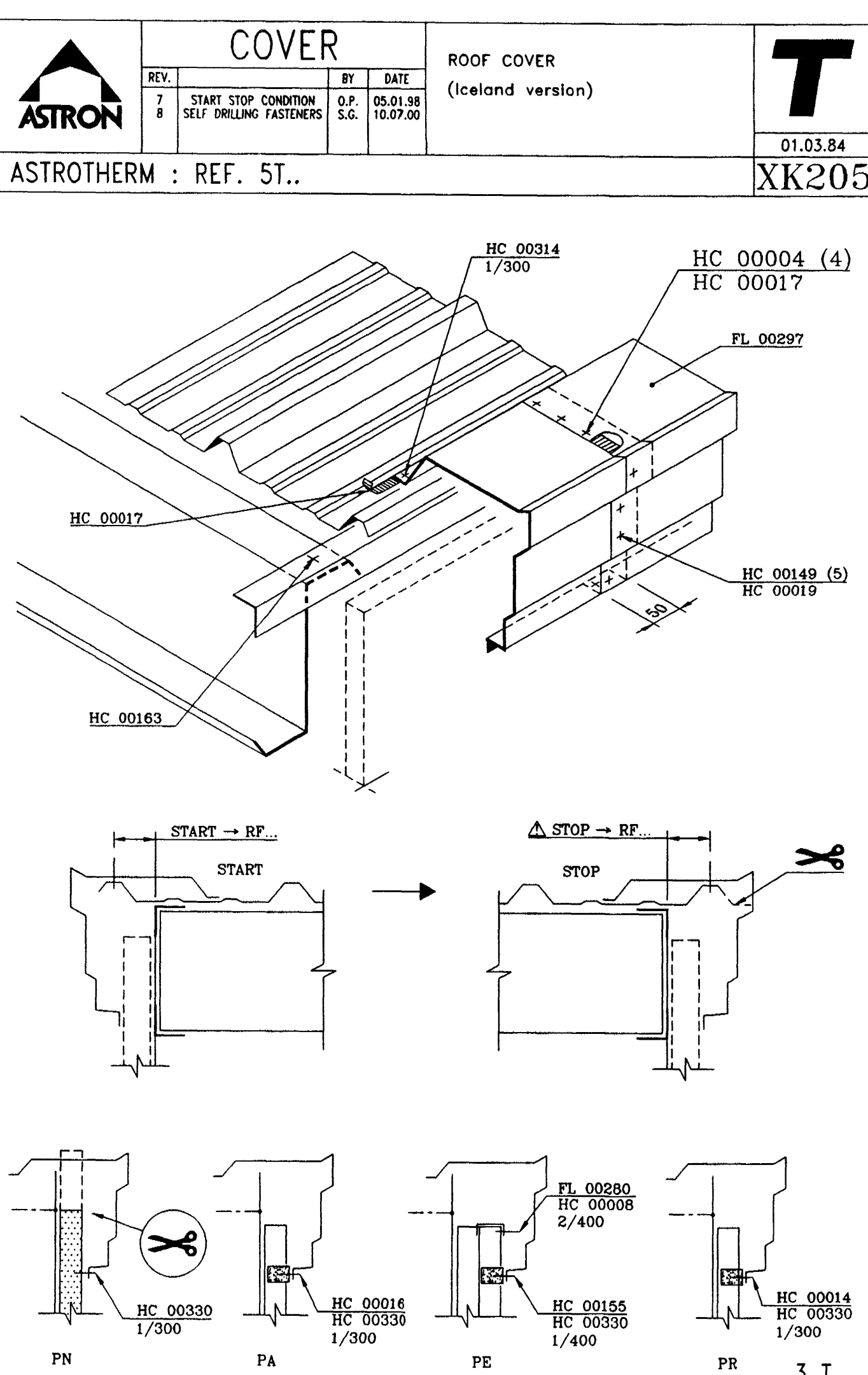
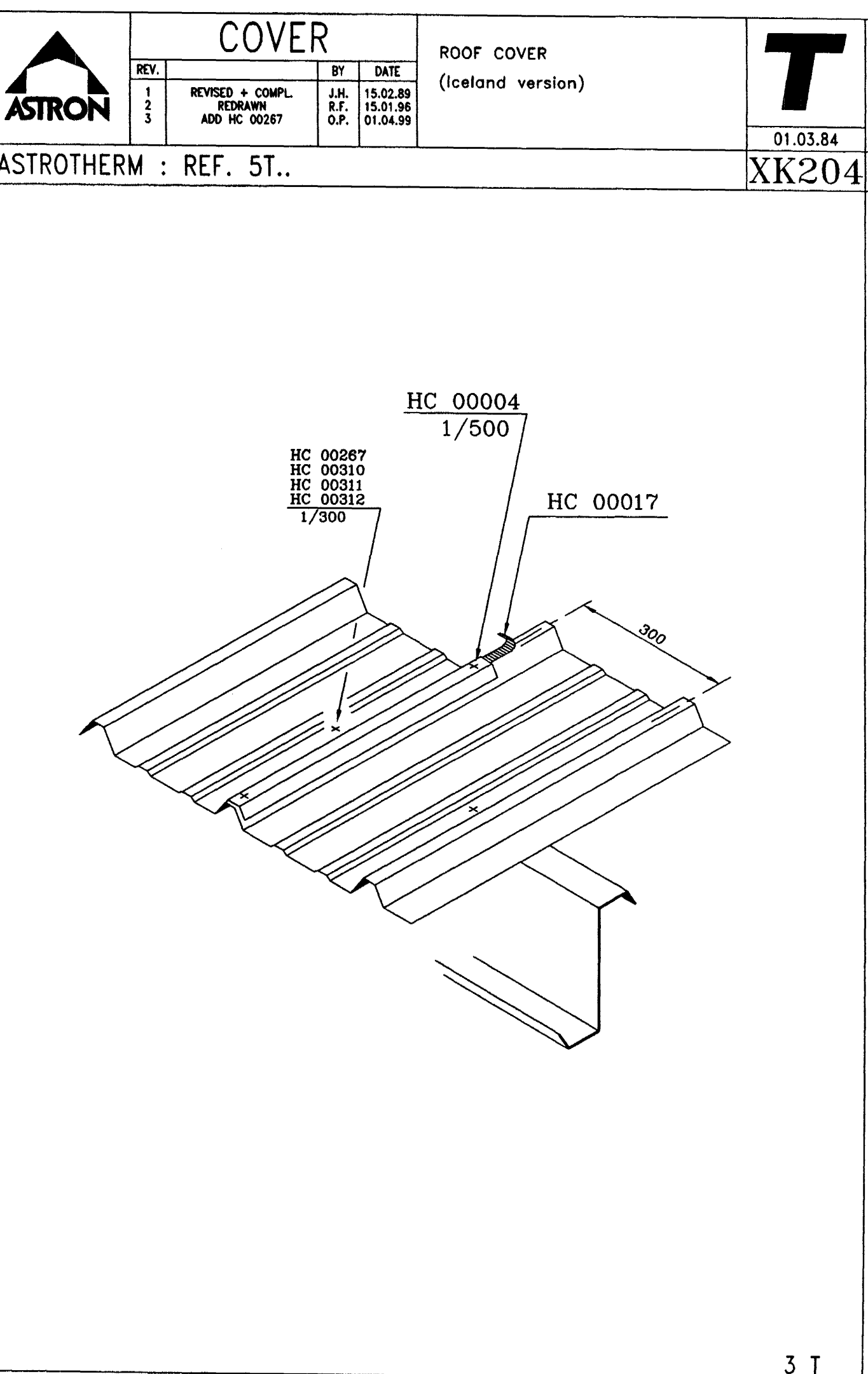
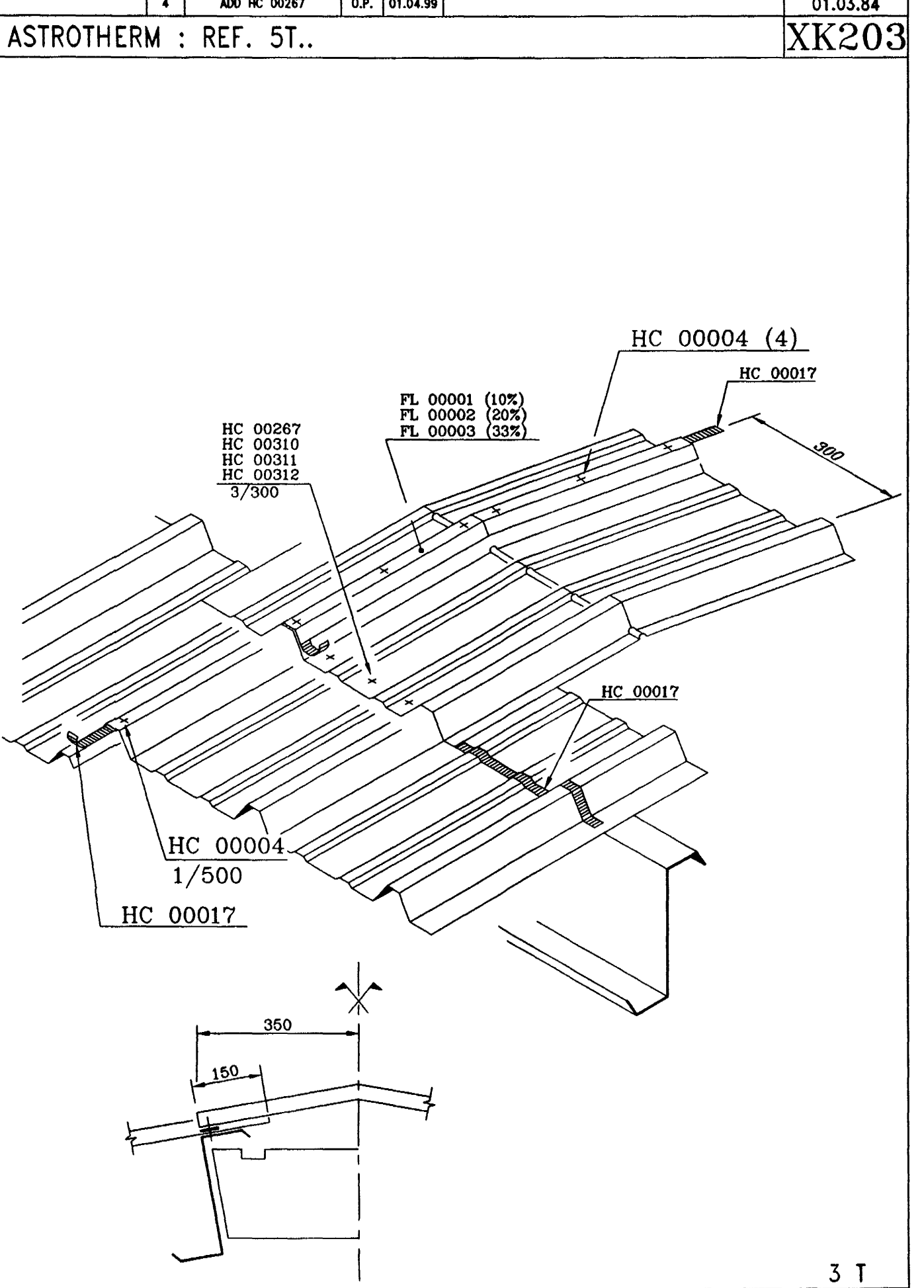
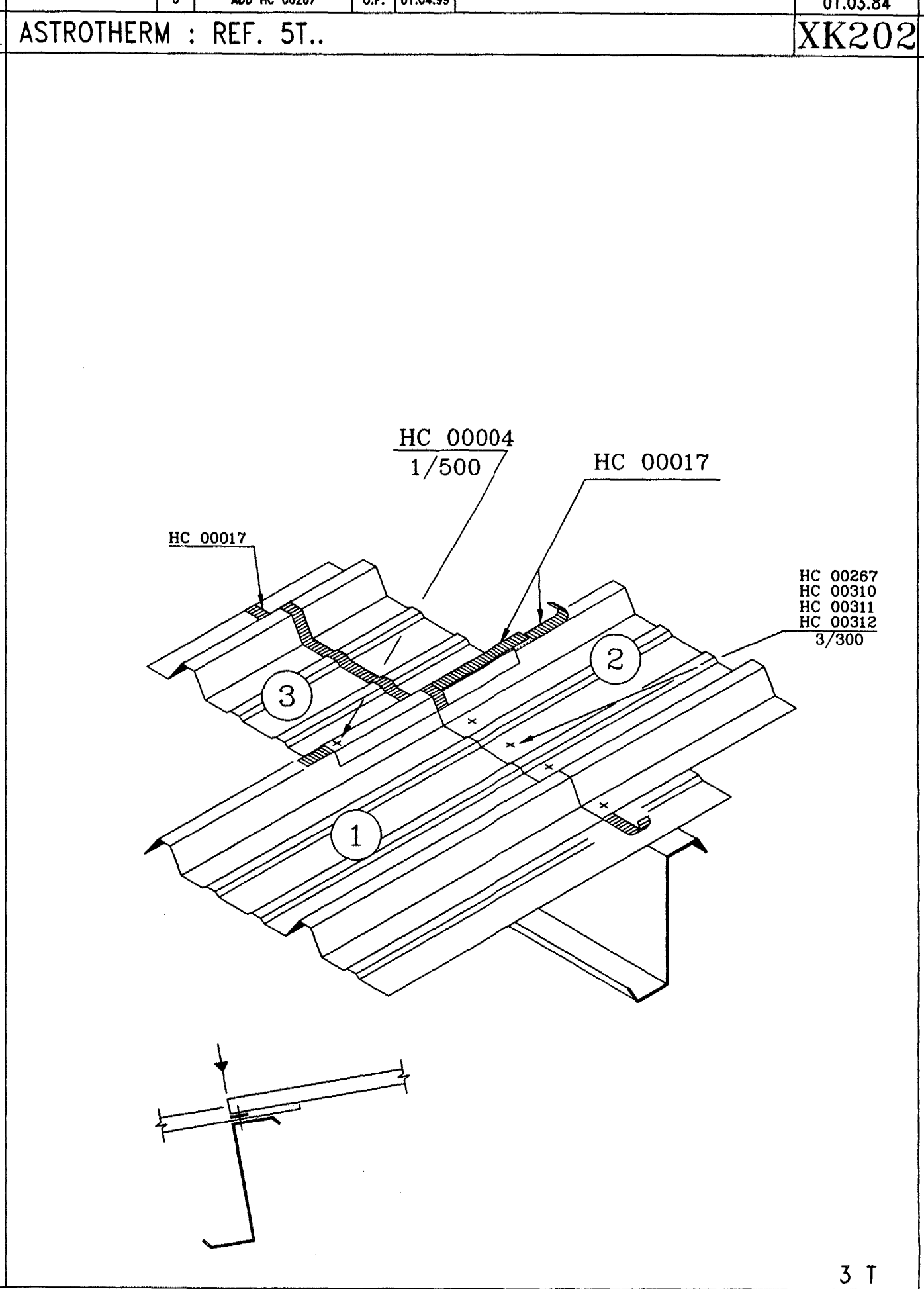
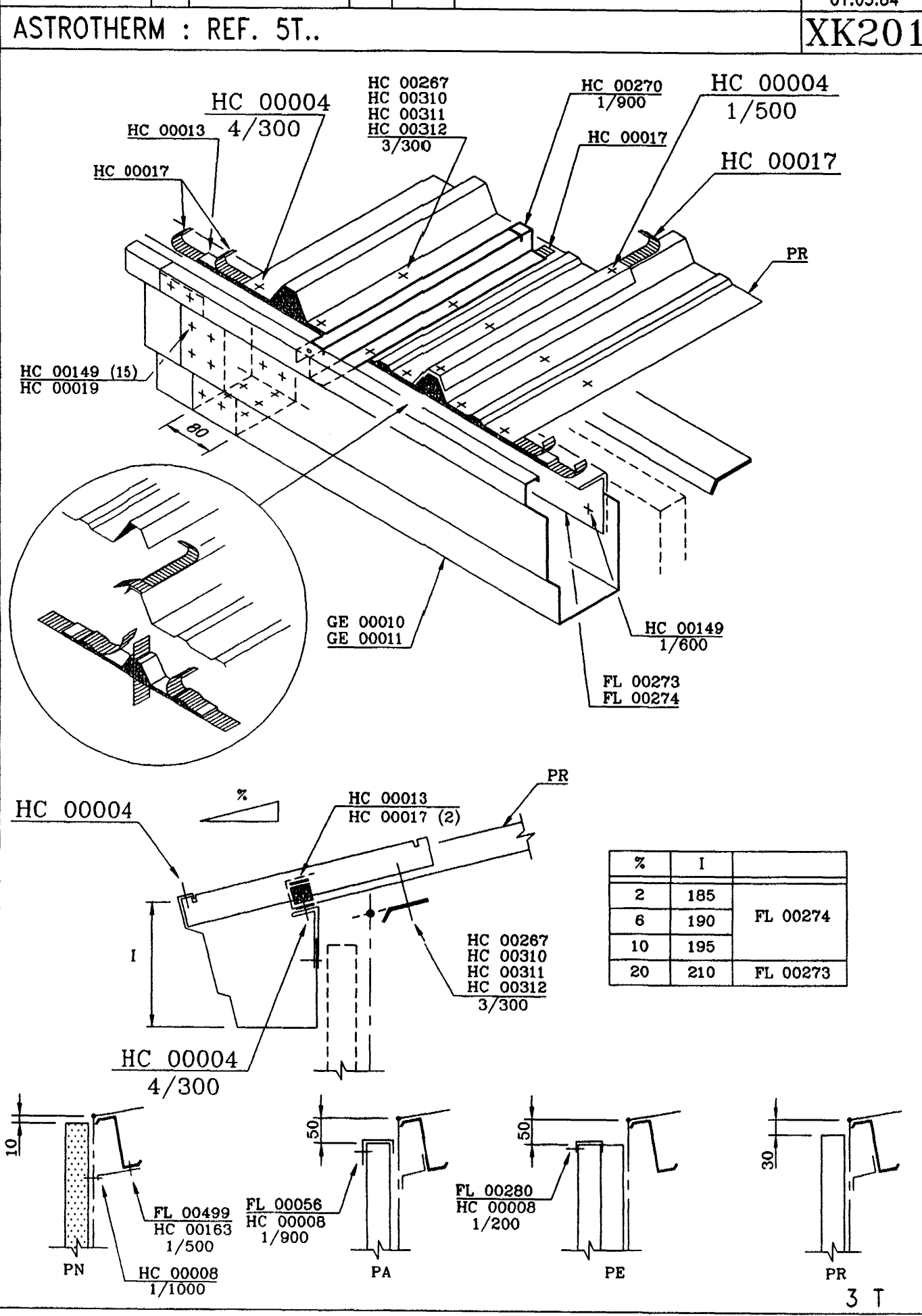
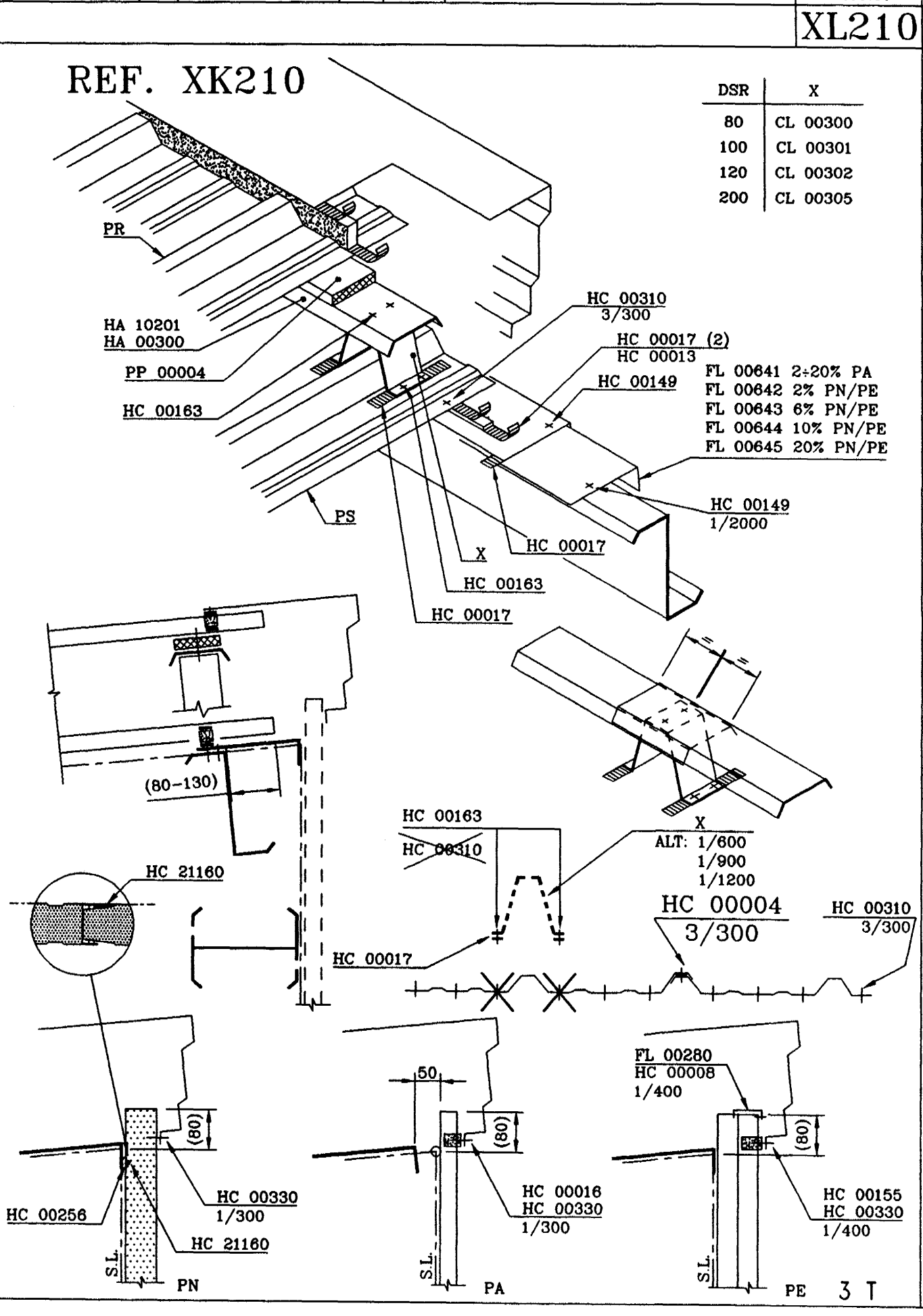
**T** ASTRON

**COVER**

REV.	BY	DATE
1	REVISED + COMPL.	15.02.89
2	GENERAL FASTENER	15.01.98
3	ADD HC 00267	11.06.98
4		01.04.99

ROOF COVER  
(Iceland version)

**T** ASTRON



**K.Rafnsson Tækniþjónusta**  
Klappargtig 20 + 101 Reykjavík  
Kt. 220850-2189

*K. Rafnsson*

**TECHNICAL NOTES**

- Drawings to read in conjunction with ASTRON technical manual
- All measures in millimeters
- \* = Field adapted
- Design of foundations by local engineer
- Applicable column reactions see chart "Foundation Reactions"
- Purlin spacings are rounded to mm and cannot be added
- Flange bracings installation per standard detail W1 chapter
- Field locate roof openings and accessories
- Compensation of panel tolerance currently during installation
- Unless noted differently:
  - 1) Purlin diaphragms - At peak (see W316, W326, W327)
    - Double purlins (see W311, W321)
  - 2) Wind bracing details, see chapter W2
  - 3) Roof stabilisation if necessary:
    - Purlin spacers (HSA, HSB, HSC, HSD. SEE W37 AND W38)
    - Sag rods (RSG...) see W6 and cross section
    - Tie straps (HC 250) see W7 chapter
- Field cut and adapt girts and panels shown in overlap with an accessory element

This design is the property of ASTRON BUILDINGS, a Division of Parker Hannifin. Copying and manufacturing components according to these drawings or calculations is illegal.

Byggingafulltrúi Háskóla Íslands  
20 NOV. 2002

1x	17.04.02	Stalex (email)
4x	25.04.02	Stalex, Samuelsen
2x	25.04.02	Stalex, Erection

TRANSMITTALS

PROJ: MHL-2 - Hefnarfordur  
BUILDING: Stalex  
LOADS: CRANE: 108560

NORMS: PRIM. IST. SEC. NS. MENOL - 16n07

ASTRON  
XL210, XK201, XK202, XK203, XK204, XK205, XK206  
REV. A  
REV. B  
REV. C  
DEILIMYNDIR

DATE: 21/03/02  
ENG: W. Altmann  
DRAF: K. Olsson

ASTRON BUILDINGS S.A. - P.O. Box 152 - L-9202 DIEKIRCH-LUXEMBOURG - Tel: +352 80 29 11 - Fax: +352 80 34 86