

LAYOUT
(SCALE: 1/125)

TWO FRAMES WITH PURLINS

AXIS : 3 + 4

(SCALE: 1/100)

K. Rafnsson Tækniþjónusta
Klapparstíg 20 • 101 Reykjavík
Kt. 220850-2189

K. Rafnsson

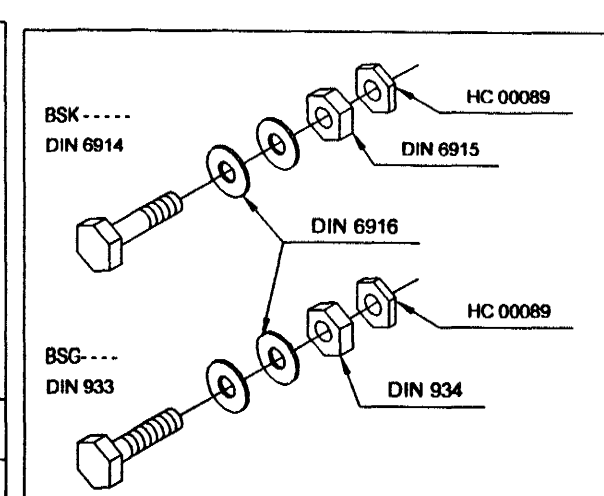
HV BOLTS:

MoS2 lubricate and prestress as follows
- M20 mit 450 Nm
- M24 mit 800 Nm

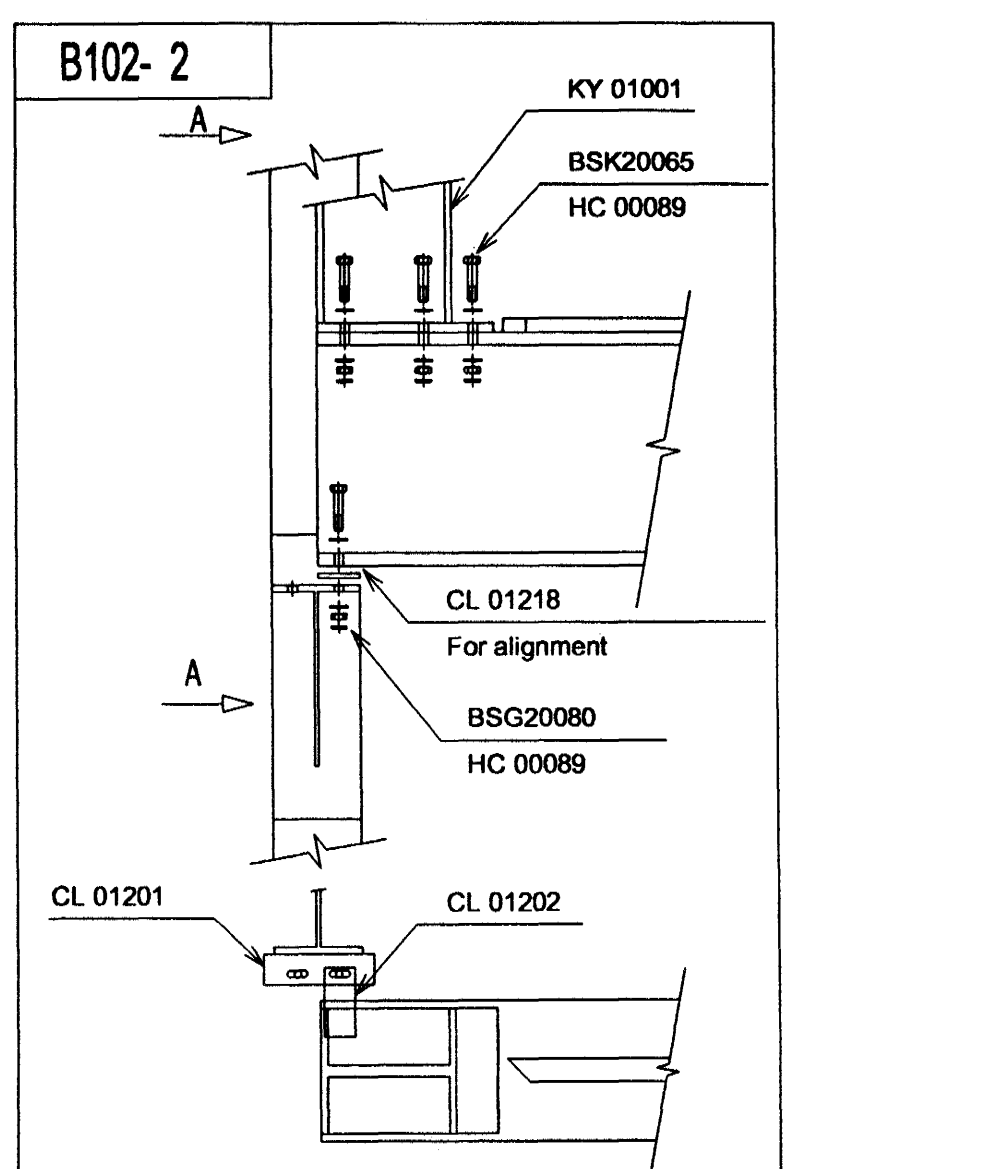
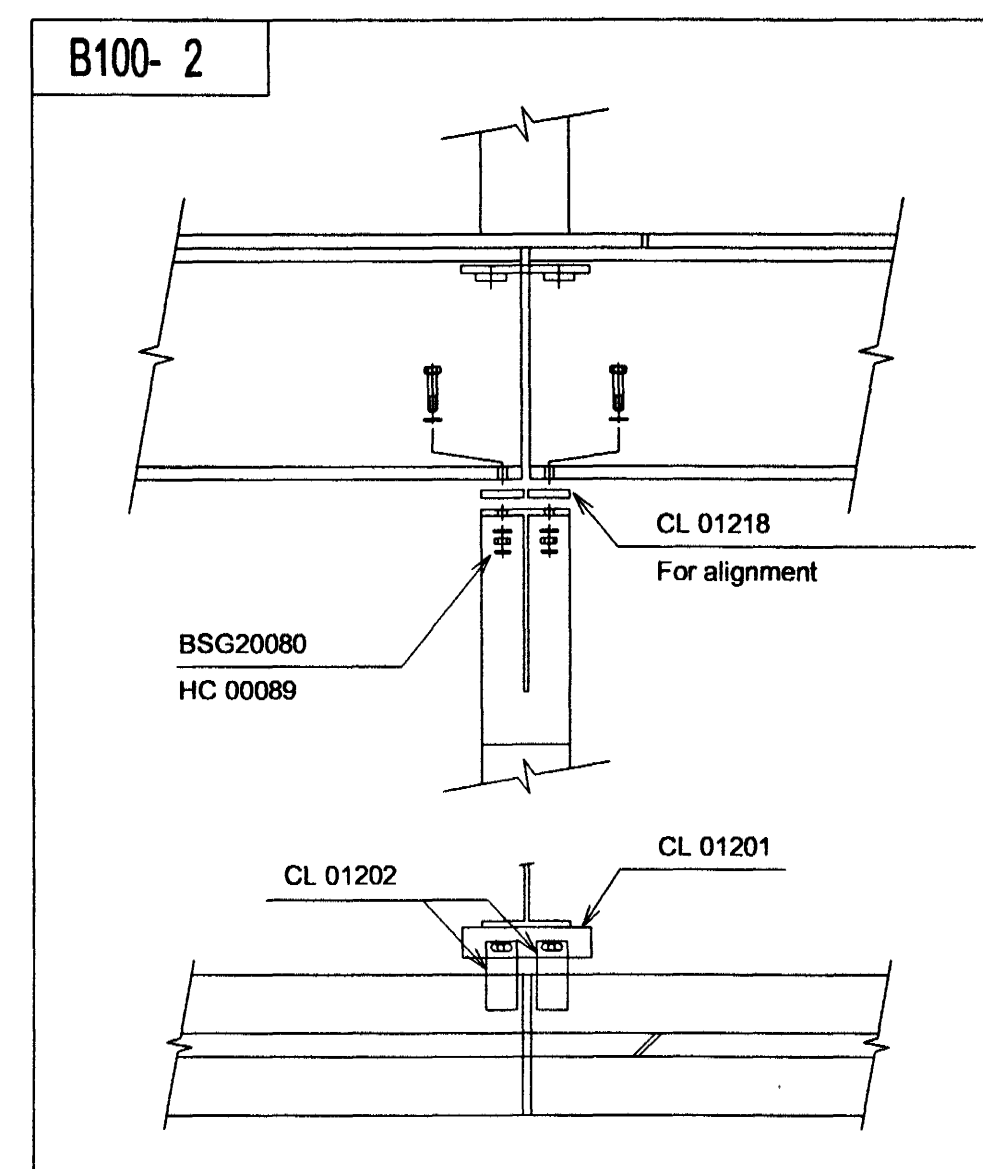
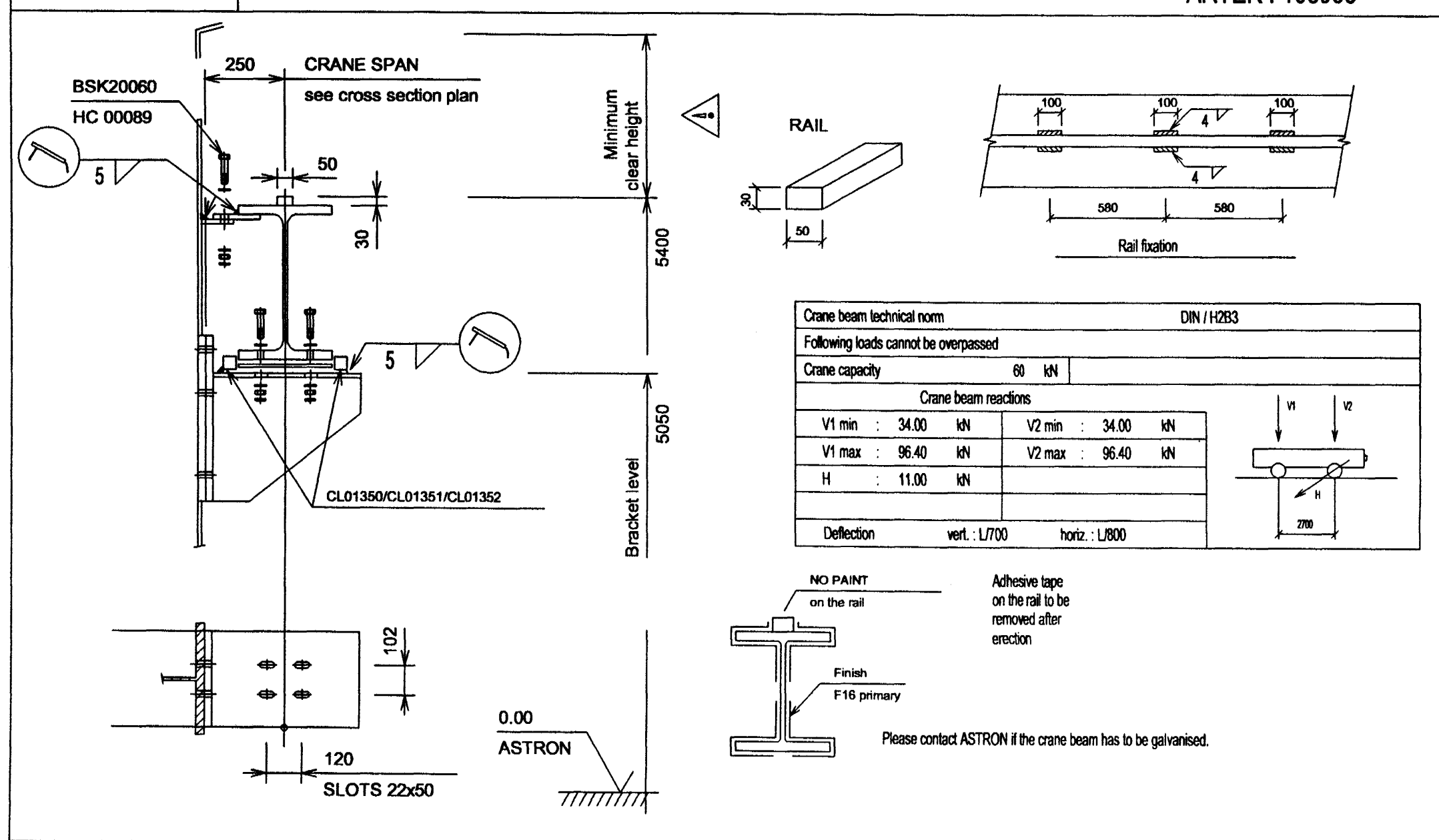
Handwritten signature

S 235 J2G3

	H	tw	B	tf	r	W m
HE 320 B	320	11.5	300	20.5	27	127



SECTION A-A Crane ARTEK : 108563



TECHNICAL NOTES

- Drawings to read in conjunction with ASTRON technical manual
- All measures in millimeters
- = Field adapted
- Design of foundations by local engineer
- Applicable column reactions see chart "Foundation Reactions"
- Purlin spacings are rounded to mm and cannot be added
- Flange bracings installation per standard detail W1 chapter
- Field locate roof openings and accessories
- Compensation of panel tolerance currently during installation
- Unless noted differently:
 - Purlin diaphragms - At peak (see W316, W326, W327)
 - Double purlins (see W311, W321)
 - Wind bracing details, see chapter W2
 - Roof stabilisation if necessary:
 - Purlin spacers (HSA, HSB, HSC, HSD. SEE W37 AND W38)
 - Sag rods (RSG...) see W6 and cross section
 - Tie straps (HC 250) see W7 chapter
- Field cut and adapt girts and panels shown in overlap with an accessory element

This design is the property of ASTRON BUILDINGS, a Division of Parker Hannifin. Copying and manufacturing components according to these drawings or calculations is illegal.

Byggingatiltírói Hafnarfjörðar
20 NOV. 2002

DET:	1x 17.04.02	Stalex (email)
	4x 25.04.02	Stalex, Samuelsen
	2x 25.04.02	Stalex, Erection

TRANSMITTALS

PROJ:	Berghella MHL-2 - Hafnarfjörður Iceland	B/D:	Stalex
BUILDING:	AZM1 24.9% SPAN:17.000m EH:6.400m L:58.50m ALT:	CRANE:	60kN
LOADS:	LL/W/AxL : 100/160/20 (Da/N/m ²)		
NORMS:	PRIM. IST. SEC. DS. MENCL - 11x33		

108560
CS-1

ASTRON LAYOUT GRUNNSKIPULAG
 REV. A partnumbering changed, 24.06.2002 J. Speer
 REV. B.
 REV. C.

ASTRON BUILDINGS S.A. - P.O. Box 52 - L-9202 DIEKIRCH-LUXEMBOURG - Tel: +352 80 29 11 - Fax: +352 80 34 66