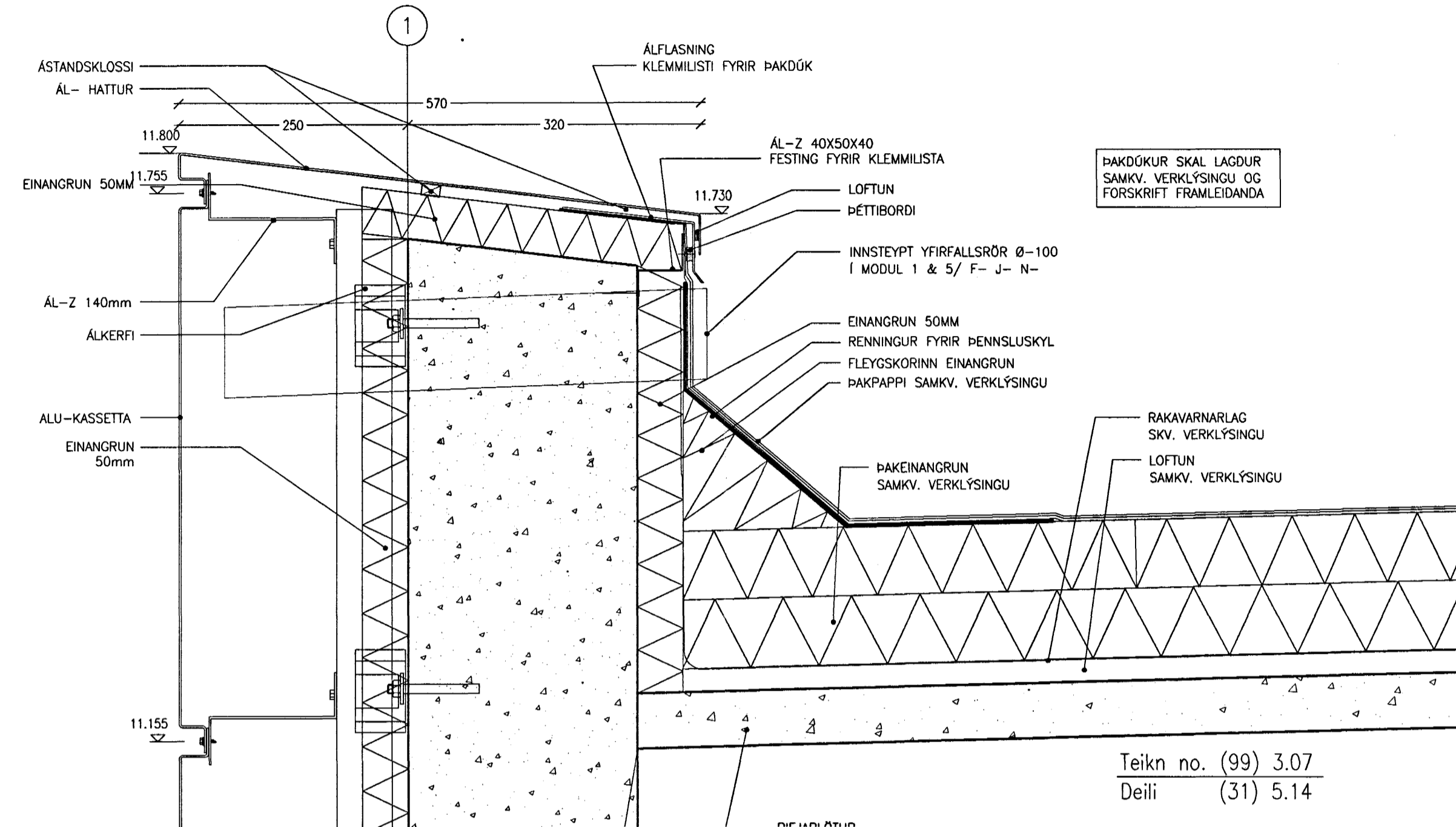
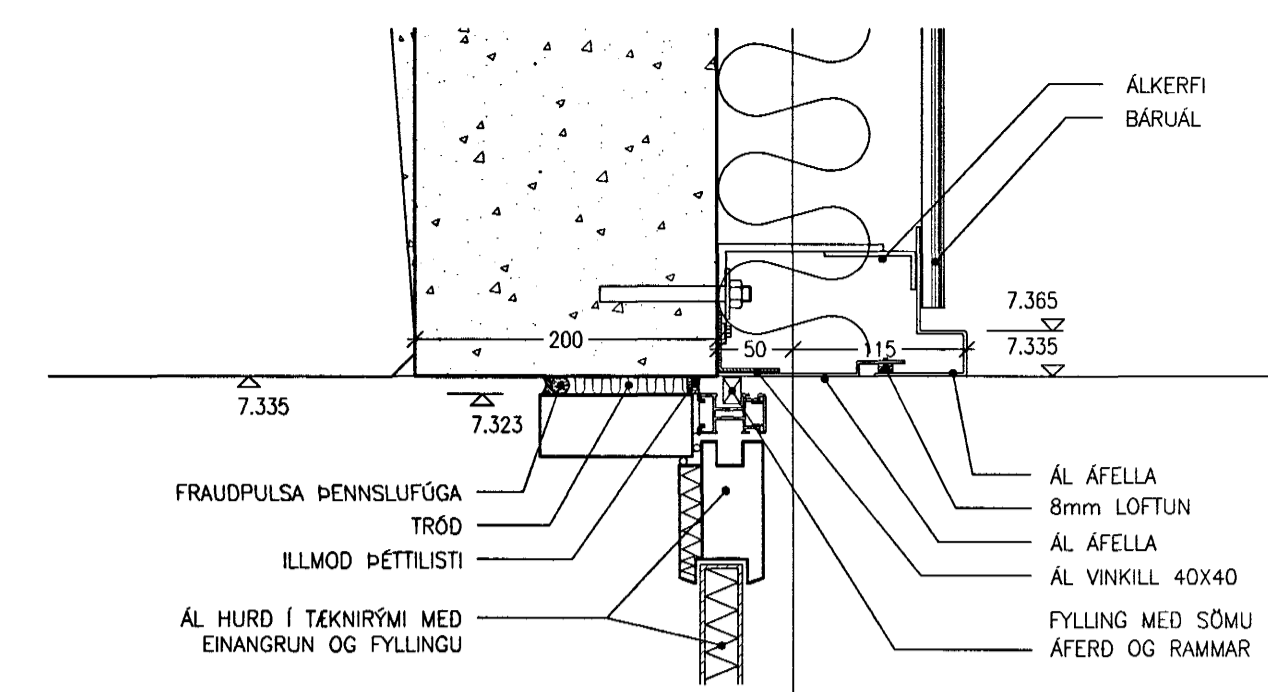


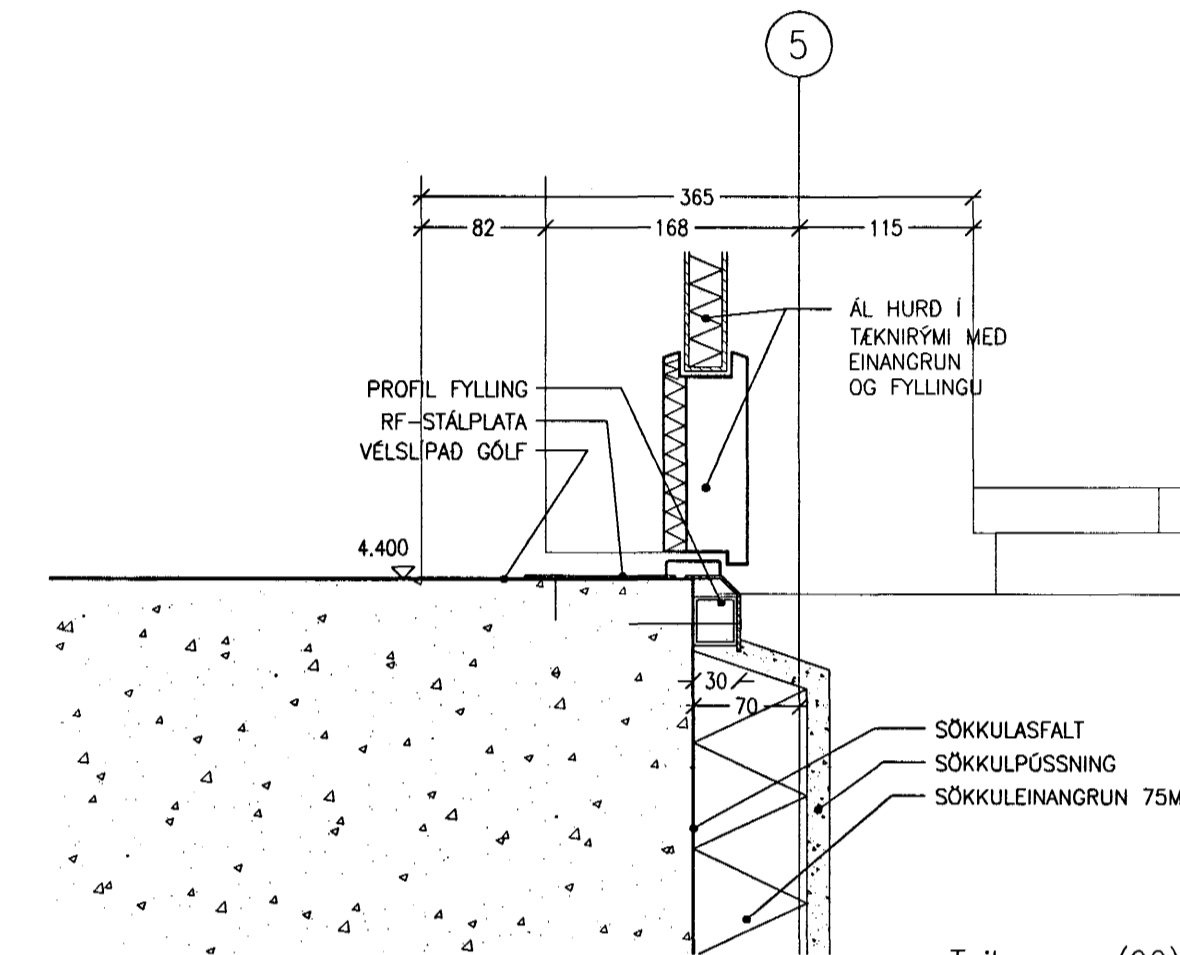
Teikn no. (99) 3.07
Deili (31) 5.12



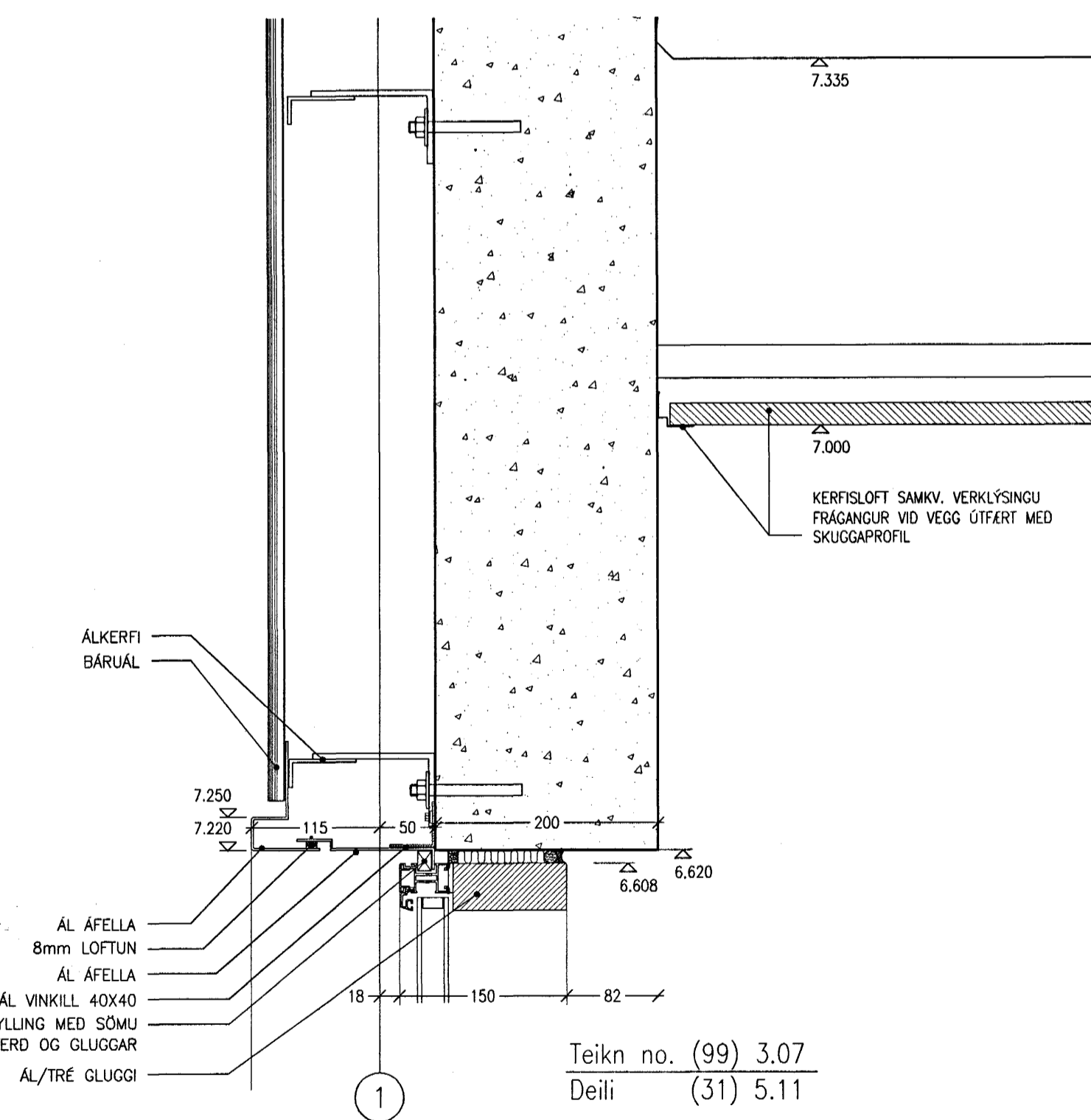
Teikn no. (99) 3.07
Deili (31) 5.14



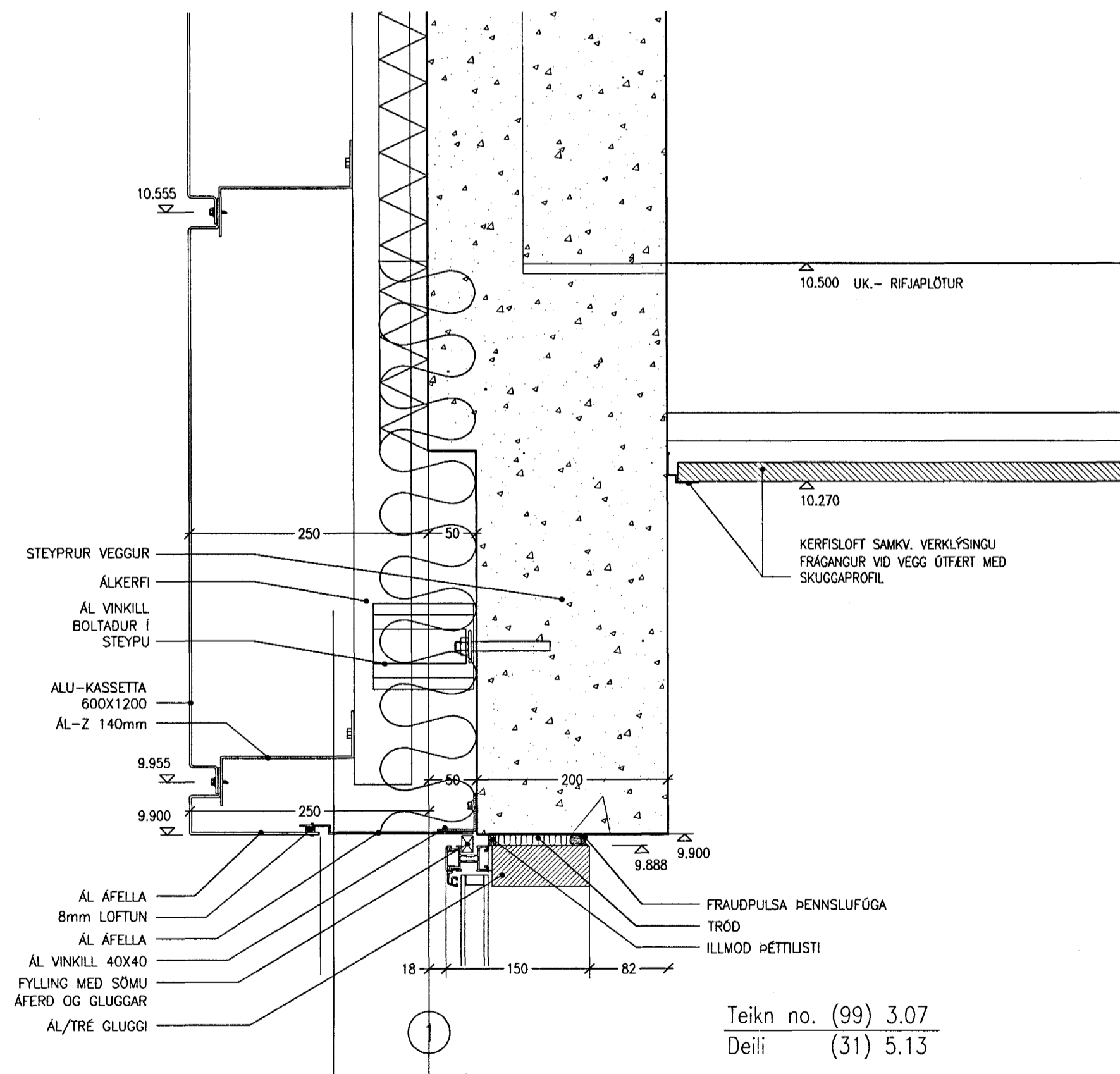
Teikn no. (99)3.01
Teikn no. (99)3.07
Deili (31)5.15



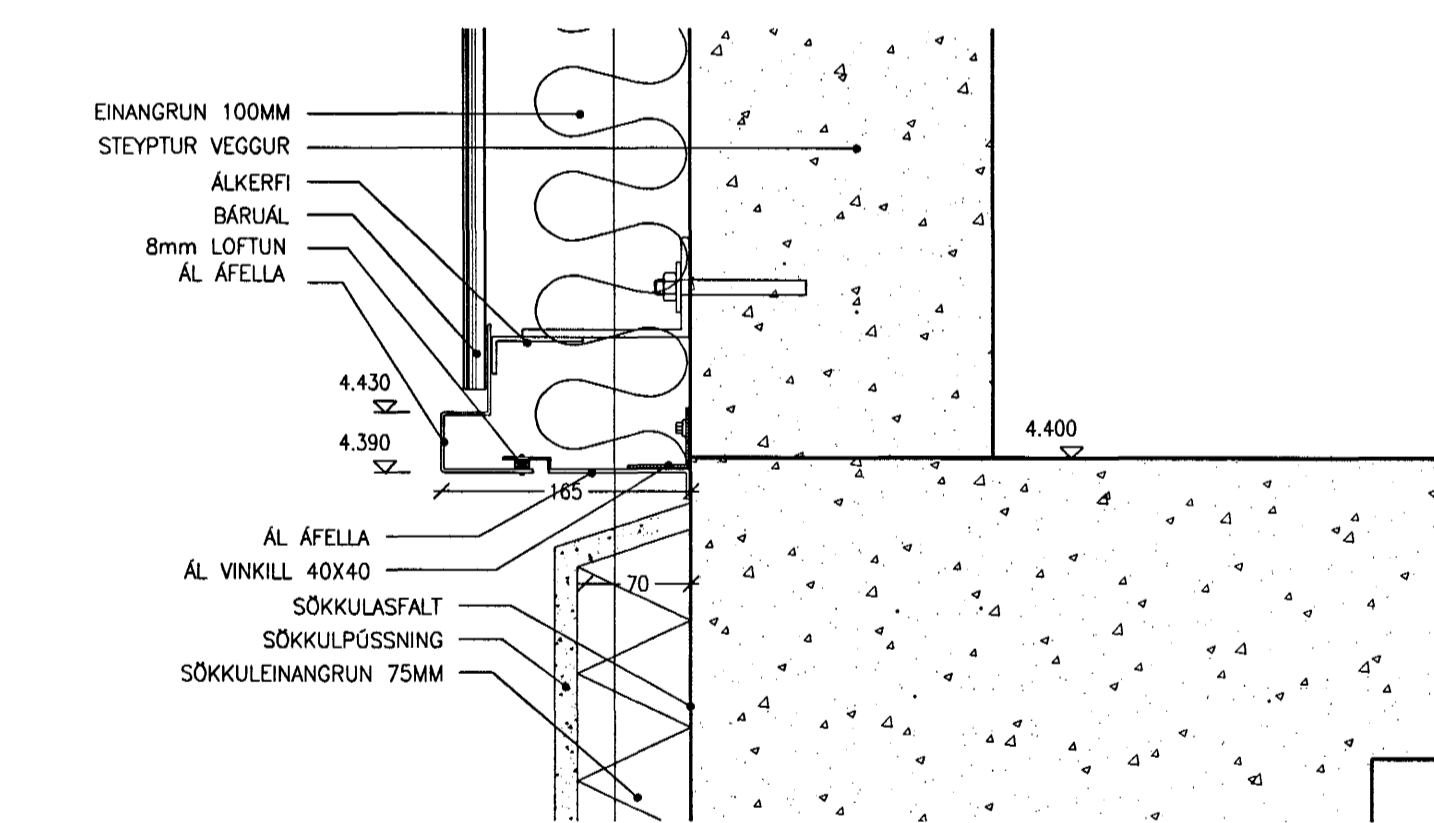
Teikn no. (99)3.01
Teikn no. (99)3.07
Deili (31)5.16



Teikn no. (99) 3.07
Deili (31) 5.11

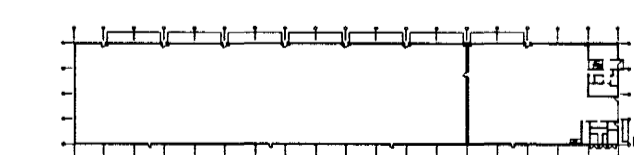


Teikn no. (99) 3.07
Deili (31) 5.13



Teikn no. (99) 3.07
Deili (31) 5.10

Sjá staðsetningu deila á teikningu nr. (99)3.07.



Bygginguvalfrétt Hafnarfjarðar
Algrætt hann
13 JAN. 2004
Sigrbjartur Málfríðsson

Skýringar:
Explanations:

ARK ÍS ehf
arkitektar ráðgjafar

Aðalsteinn Snorason arkitekt faf 161161-2769
Egill Guðmundsson arkitekt faf 270152-6869
Gísli Gíslason arkitekt faf 160657-4809

Stólanvörðustíg 11 101 Reykjavík
sími 511 2060
fax 511 2066
netfang arkis@ark.is

Breyt. Rev.	Breyting Revision	Dags. Date	Samp. Approved	Molk. heimil. Released
1	Heð háss lekkuð um 200mm / kóta breitt	04.12.03	as	

This drawing is the property of the Alcan Iceland Ltd. and handed out for personal use only. It may neither be copied nor made available to others without permission of the Alcan Iceland Ltd. The receiver is liable for any misuse.

Fjöldi stykja Number of pieces	Hlutur Object	Atriði Item	Efni Material	eo.stk Weight	total. í heild (kg) Dýngd	Athugasemdir Remarks
IV III II I	Mhl.01 Víkurgata 3 / ál-og tekjageymsla Deili - lóðrétt				7510 12094	1: 5
					US33	
					(39)5.027	1
					168556	1

ALCAN PRIMARY METAL EUROPE
ISAL
Alcan Iceland Ltd

Strauumvík
IS-222 Hafnarfjarður

168556