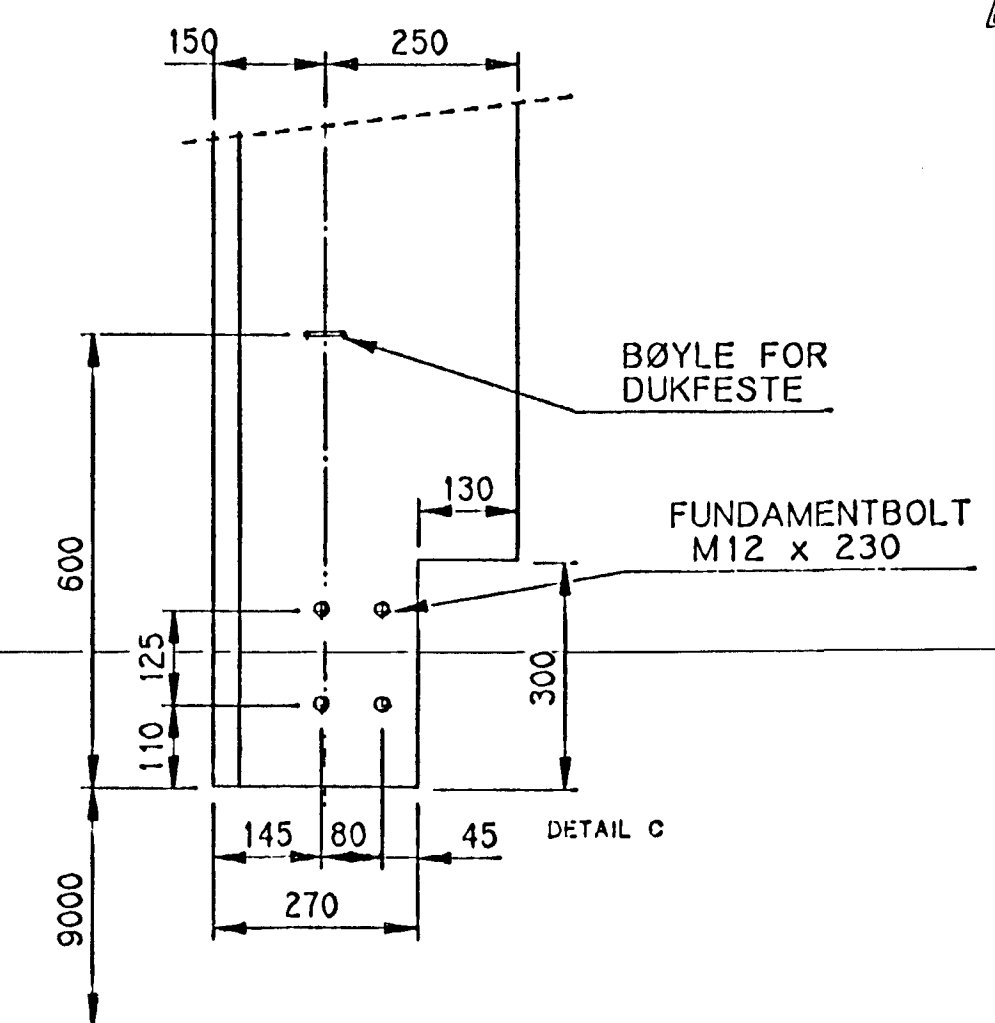
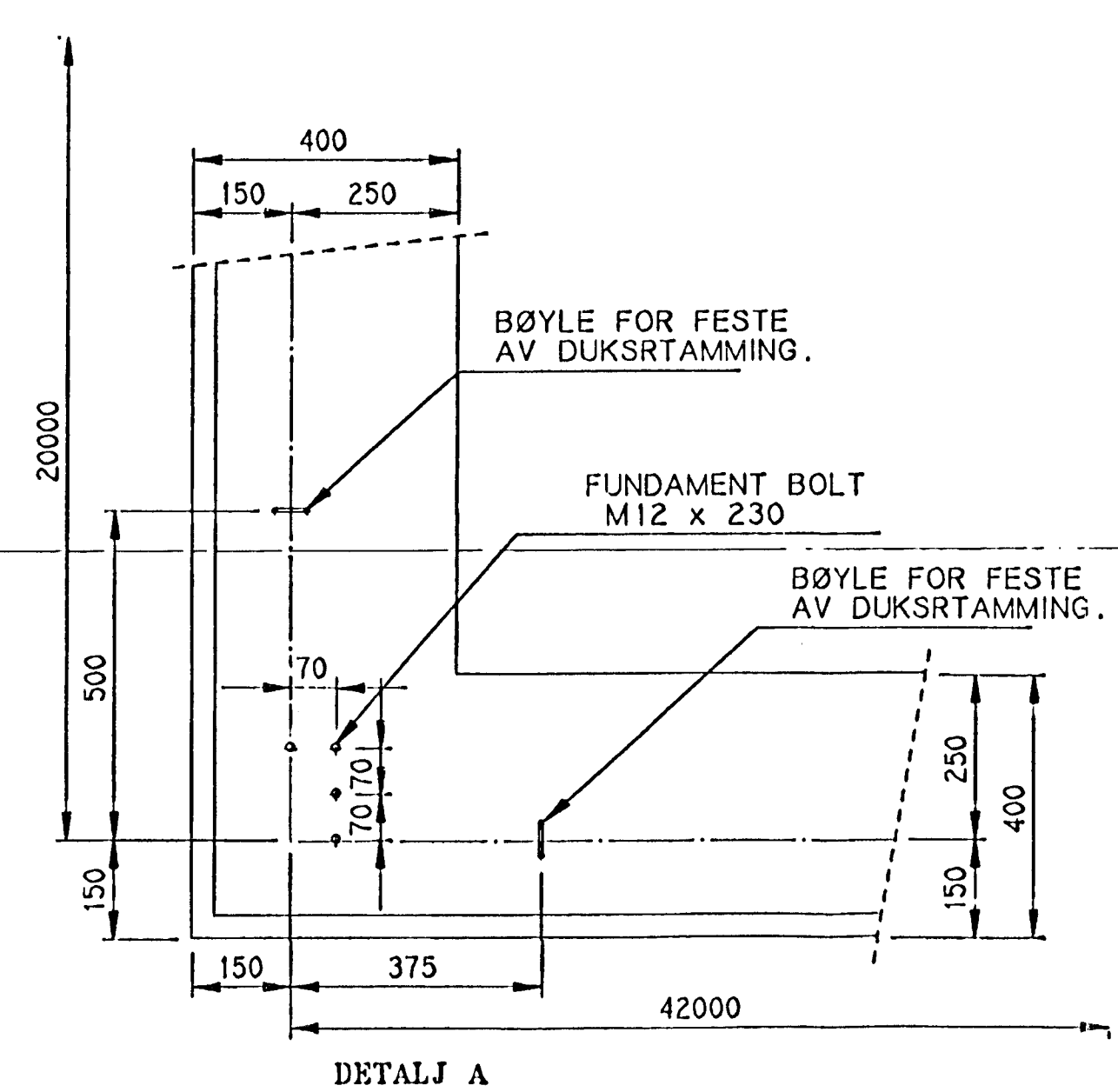
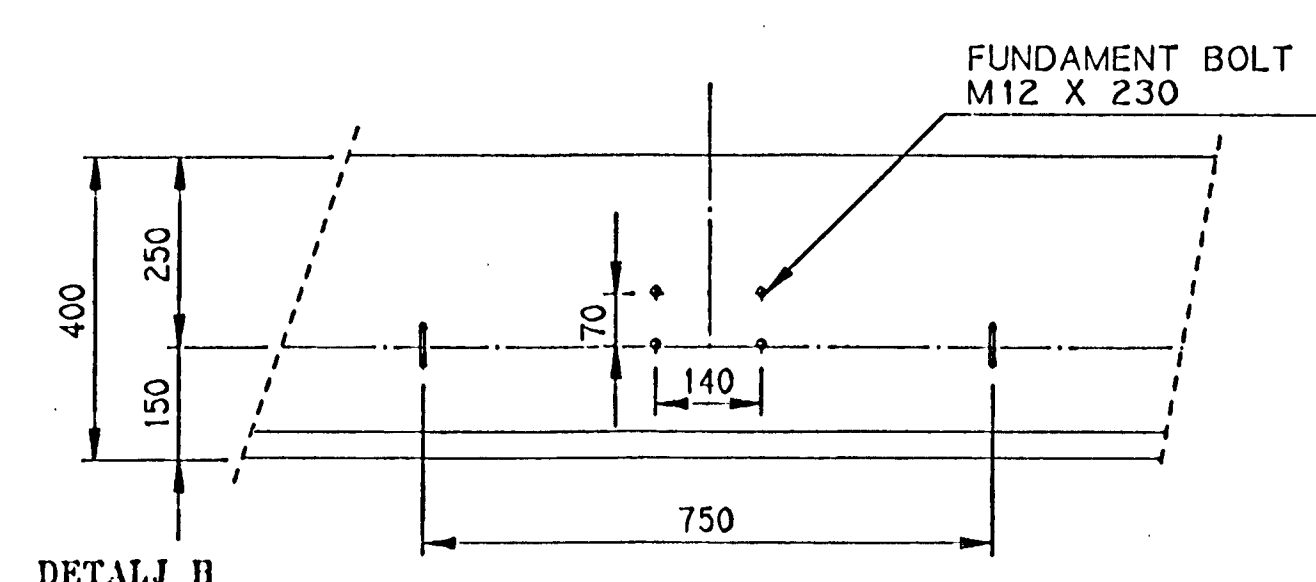
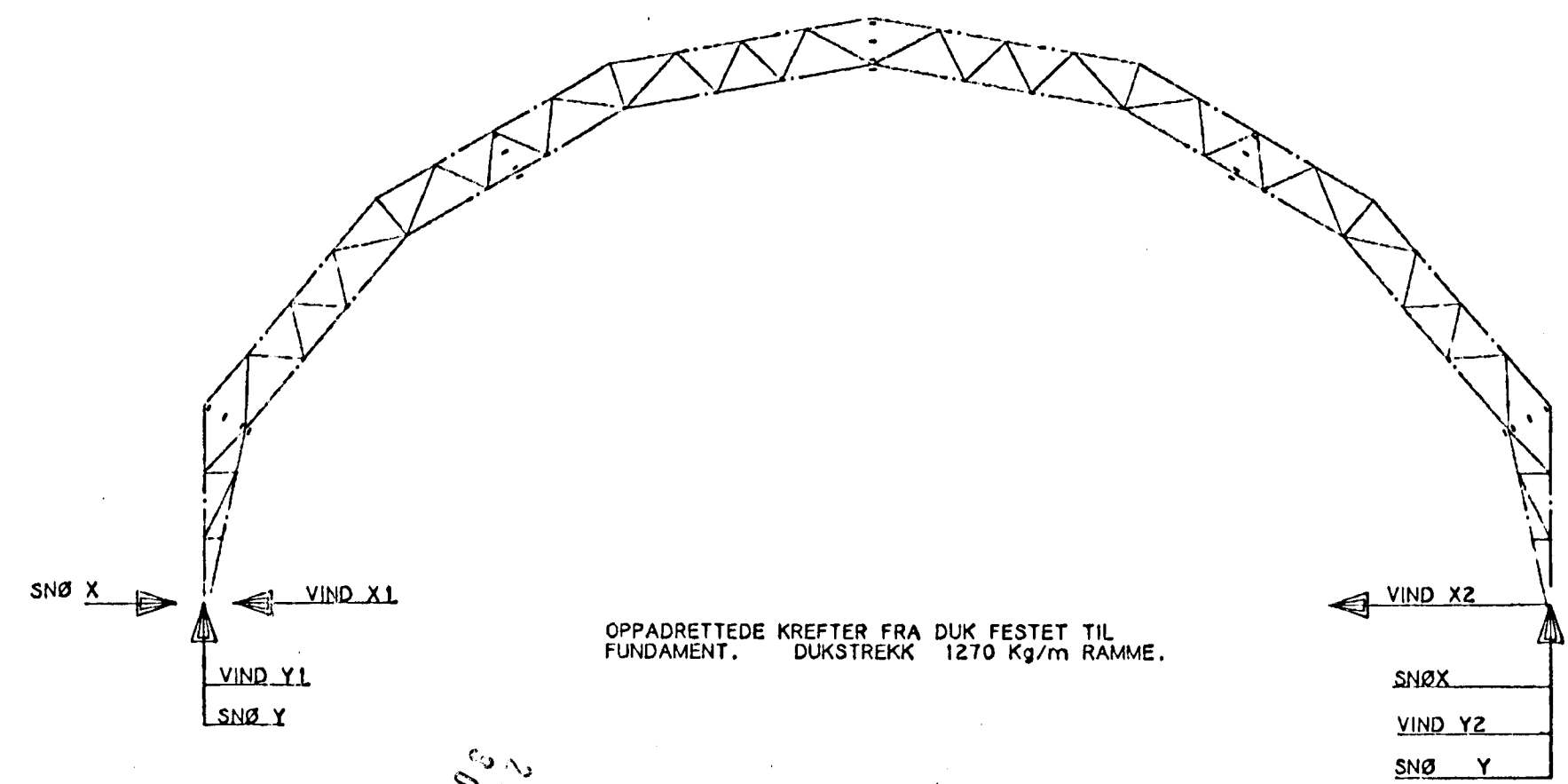


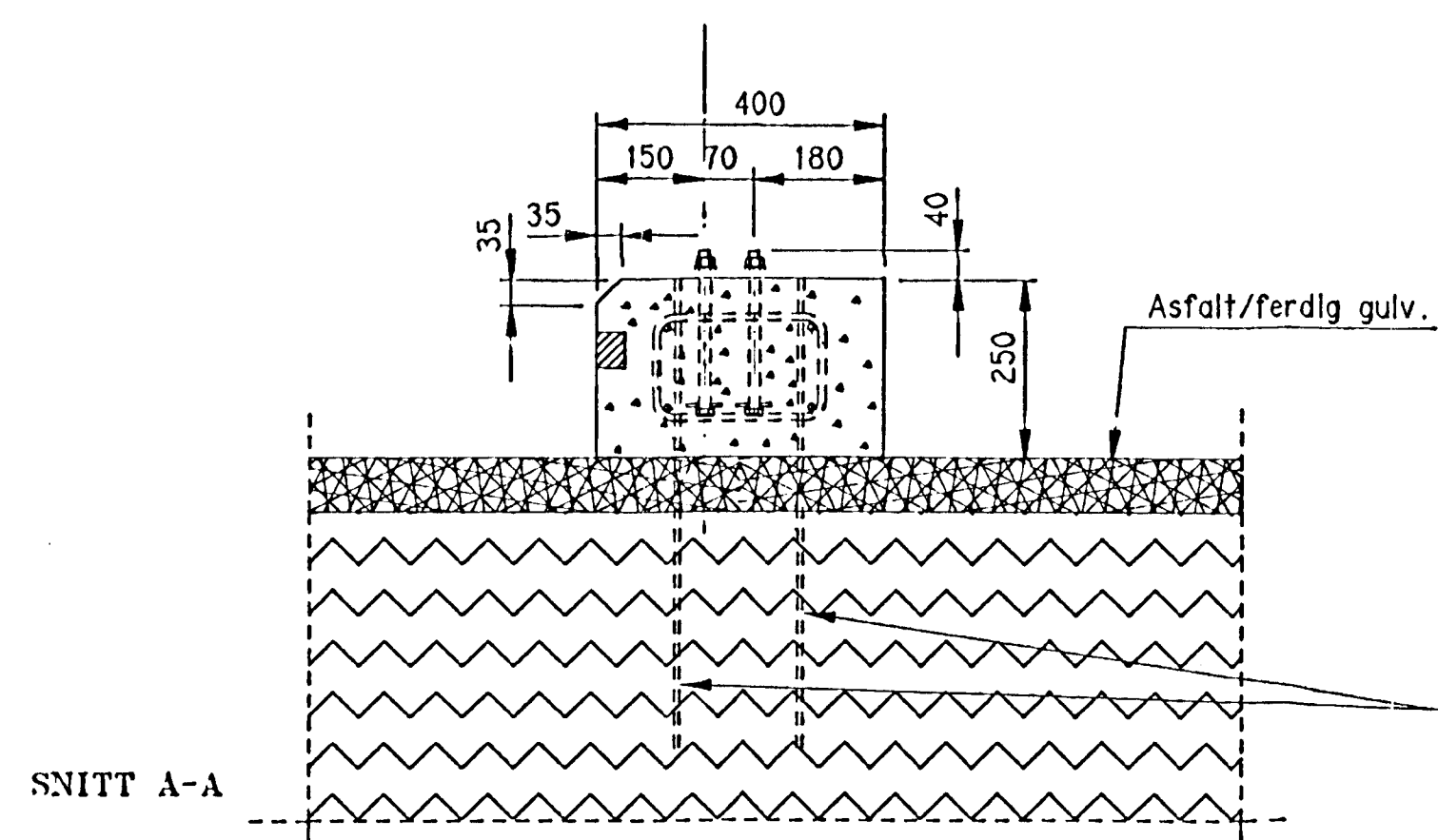
| LENGDE AV FUNDAMENT | FUNDAMENT BOLT DIM. | ANTALL FUNDAMENTBOLTER | ANTALL DUKFESTER | DIV. ANM.                       |
|---------------------|---------------------|------------------------|------------------|---------------------------------|
| 21200               | M12x---             | ---                    | ---              | ---                             |
| 24200               | M12x---             | ---                    | ---              | ---                             |
| 27200               | M12x---             | ---                    | ---              | ---                             |
| 30200               | M12x---             | ---                    | ---              | ---                             |
| 33200               | M12x---             | ---                    | ---              | ---                             |
| 36200               | M12x---             | ---                    | ---              | ---                             |
| 39200               | M12x---             | ---                    | ---              | ---                             |
| 42200               | M12x---             | ---                    | ---              | ---                             |
| 45200               | M12x---             | ---                    | ---              | ---                             |
| 48200               | M12x---             | ---                    | ---              | ---                             |
| 51200               | M12x---             | ---                    | ---              | ---                             |
| 54200               | M12x---             | ---                    | ---              | ---                             |
| 57200               | M12x---             | ---                    | ---              | ---                             |
| 60200               | M12x---             | ---                    | ---              | ---                             |
| 63200               | M12x---             | ---                    | ---              | ---                             |
| 66200               | M12x---             | ---                    | ---              | ---                             |
| 69200               | M12x---             | ---                    | ---              | ---                             |
| 72200               | M12x---             | ---                    | ---              | ---                             |
| 75200               | M12x---             | ---                    | ---              | ---                             |
| 78200               | M12x---             | ---                    | ---              | ---                             |
| 81200               | M12x---             | ---                    | ---              | ---                             |
| 84200               | M12x---             | ---                    | ---              | ---                             |
| 87200               | M12x---             | ---                    | ---              | ---                             |
| 90200               | M12x---             | ---                    | ---              | ---                             |
| 93200               | M12x---             | ---                    | ---              | ---                             |
| 96200               | M12x---             | ---                    | ---              | ---                             |
| 99200               | M12x---             | 320+8                  | 230              | 2 STK. foldep. 5 x 5m           |
| 102200              | M12x---             | 312                    | 232              | 2 STK. SIDEP. 6 STK. GANG.DØRER |

| HØYDE AV VEGG | VINDLAST |      |     |      | SNØLAST |      |
|---------------|----------|------|-----|------|---------|------|
|               | X1       | Y1   | X2  | Y2   | X       | Y    |
| 3 m VEGG      | 2668     | 1335 | 848 | 1218 | 2104    | 3340 |
|               |          |      |     |      |         |      |
|               |          |      |     |      |         |      |

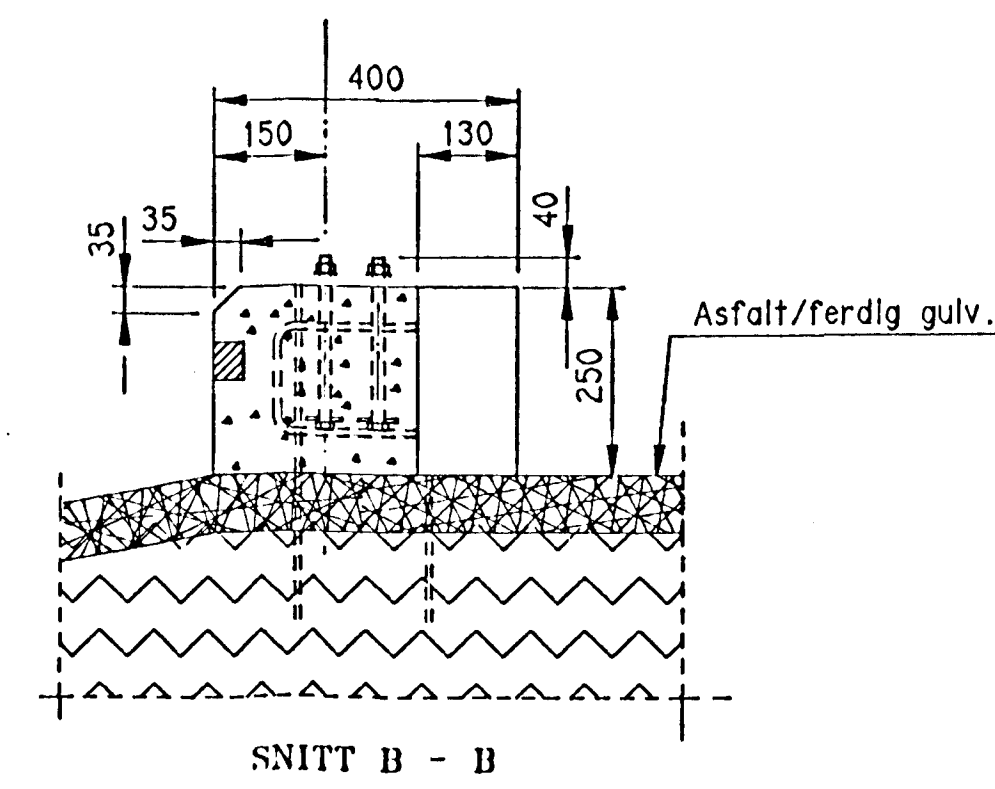
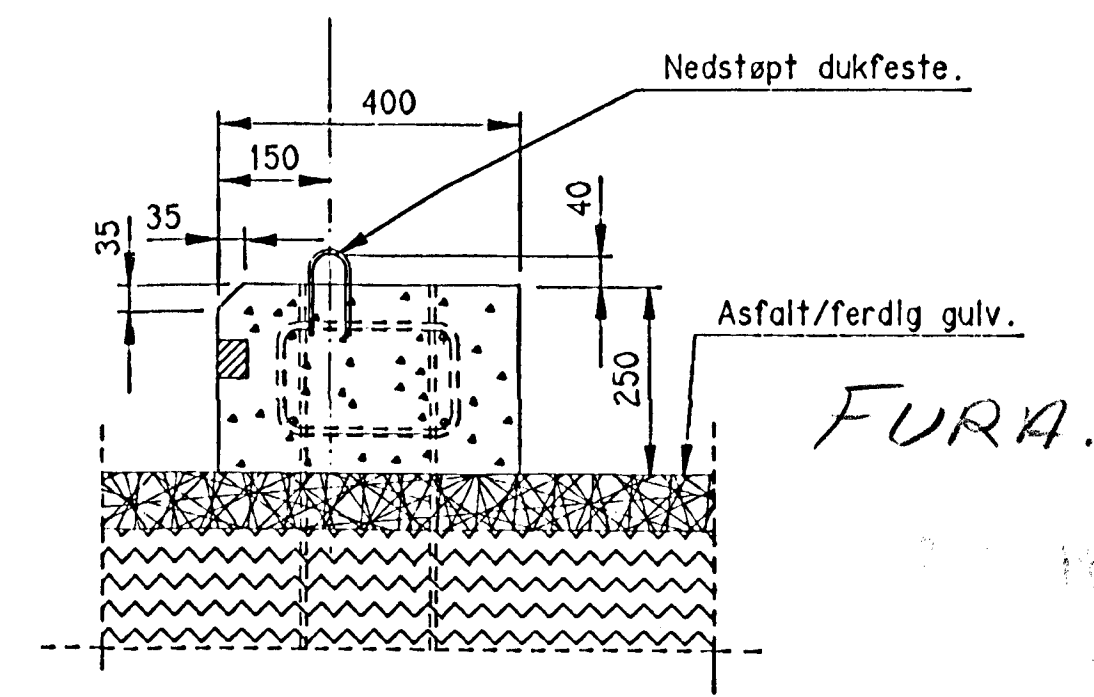
SNØLAST 150kg/m2



MARKHJELLA  
STÅLVERKSMIA



NB! SKAL DET BENYTTES EXPANSJONSBOLTER EL. MÅ ARMERING LEGGES SLIK AT DEN IKKE HINDRER OPPBORING FOR BOLTER.



| Act. pr. antall  | Pos. nr. | Belegning | Matr. | Tegning | POS | Arv. |
|--|----------|-----------|-------|---------|-----|------|
| 07.05.99   |          | M. Solm   |       |         |     |      |
| Date: 07.05.99<br>Konstr./Tegnet: M. Solm<br>Godkjent: _____<br>Målestokk: 1:100<br><b>FUNDAMENTPLAN</b><br>for: NV 20 x 42 x 4 m<br>PORT 9.0 x 5.0 m<br>Fundamentthøyde H= 250 mm |          |           |       |         |     |      |
| 10798 -<br>A1 SCL 1/100 FIL N: 10798   |          |           |       |         |     |      |