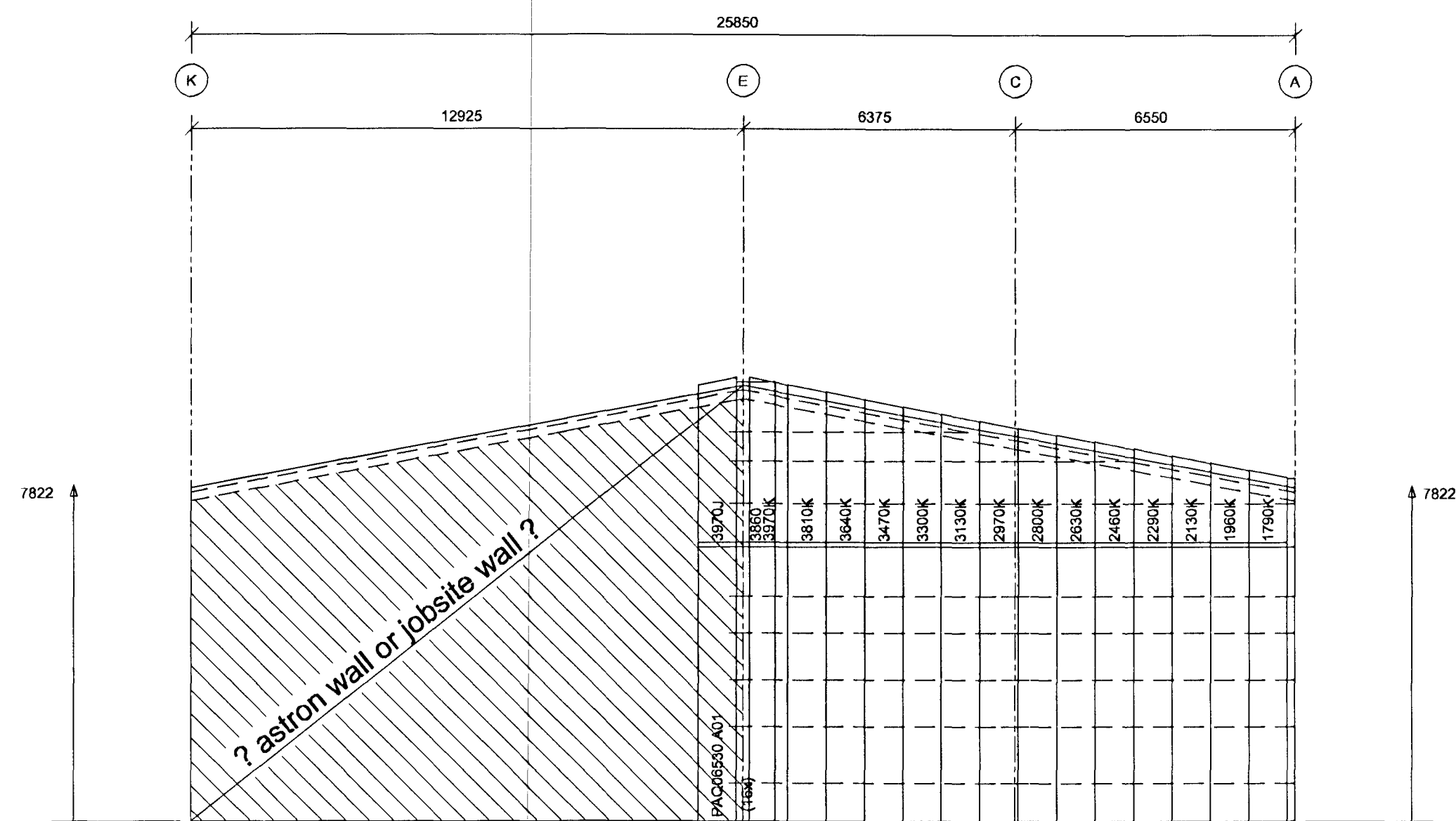


jc 103228 velsmidja 2

ENDWALL AXIS 9 - FRAMING

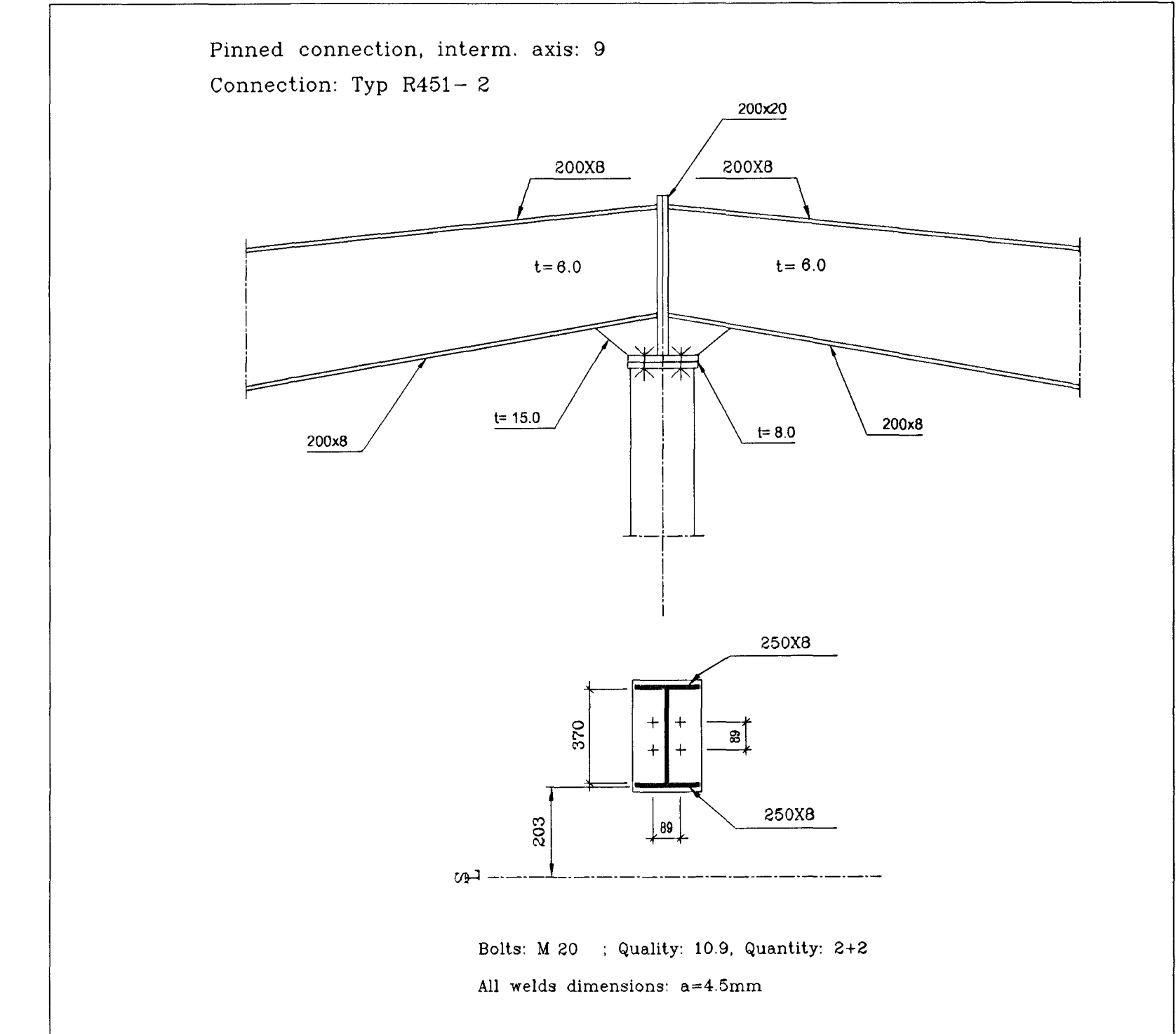
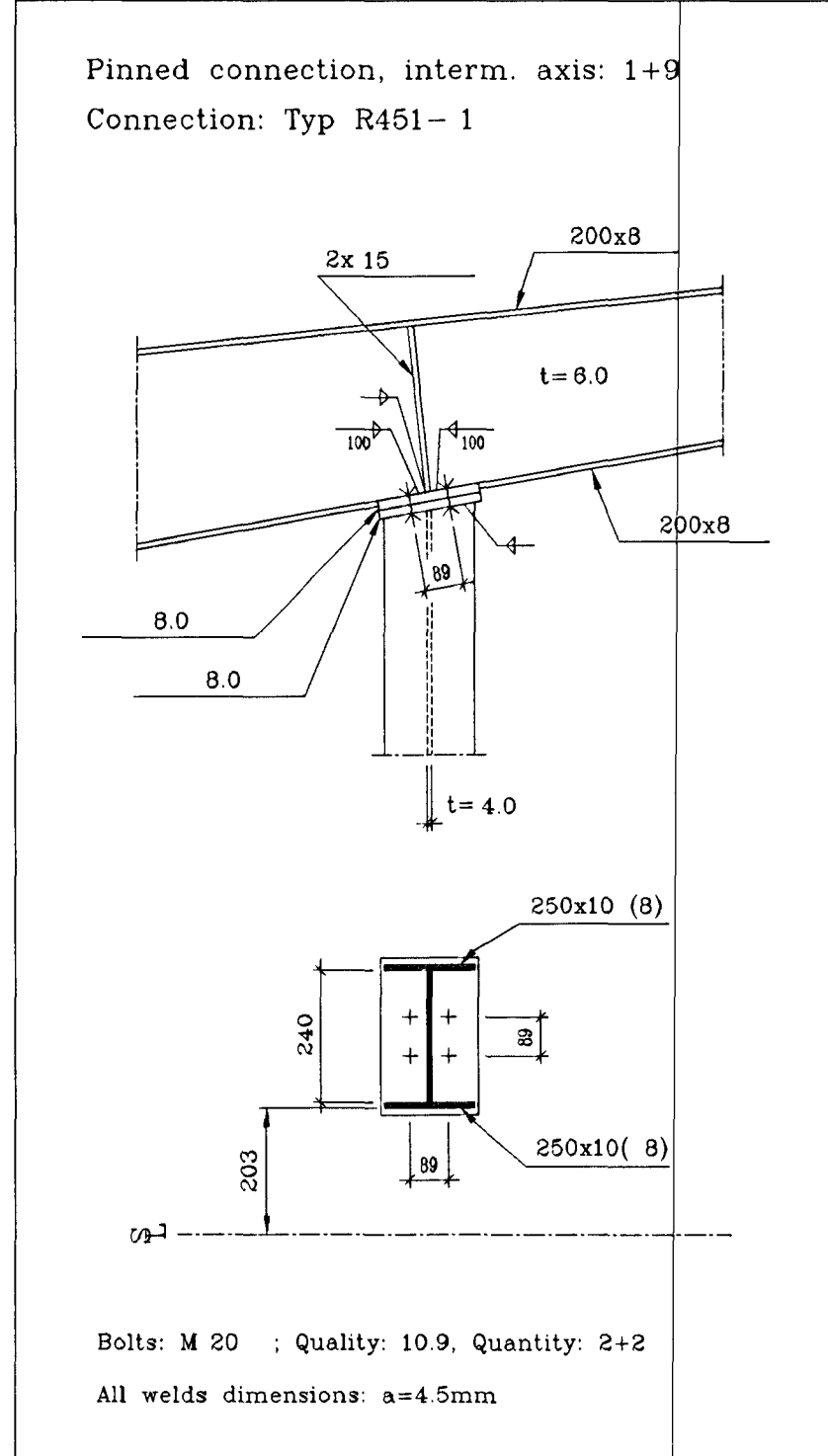
(SCALE: 1/125)



jc 103228 velsmidja 2

ENDWALL AXIS 9 - SHEETING

(SCALE: 1/125)



STD PROFILES DESCRIPTION LIST	NSTD PROFILES DESCRIPTION LIST
FL : NOT DEFINED ZLD : ZEE LAP COND. 203*2.21 ZLE : ZEE LAP COND. 203*2.67	EYS : ENDWALL COLUMN XLF : RAKE ANGLE 50°50'2

- TECHNICAL NOTES
- Drawings to read in conjunction with ASTRON technical manual
  - All measures in millimeters
  - \* = Field adapted
  - Design of foundations by local engineer
  - Applicable column reactions see chart "Foundation Reactions"
  - Purlin spacings are rounded to mm and cannot be added
  - Flange bracings installation per standard detail W1 chapter
  - Field locate roof openings and accessories
  - Compensation of panel tolerance currently during installation
  - Unless noted differently:
    - Purlin diaphragms - At peak (see W316, W326, W327)
      - Double purlins (see W311, W321)
    - Wind bracing details, see chapter W2
    - Roof stabilisation if necessary:
      - Purlin spacers (HSA, HSB, HSC, HSD. SEE W37 AND W38)
      - Sag rods (RSC...) see W6 and cross section
      - Tie straps (HC 250) see W7 chapter
  - Field cut and adapt girts and panels shown in overlap with an accessory element

15 APR. 2002  
NG

This design is Astron property, copying and manufacturing components according to these drawings or calculations is illegal.

DET: 5T19 A21 I280 I281 K280 K281 K282 K283 R451 S111 S116 S916 S917 S918 S919 V512 V517 W211 W212 W221 W222 W241 XS11									
<b>ÍSHELLA 10</b>		B/D: STALEX EHF.							
PROJ: VELSMIDJA 1 - ICELAND	BUILDING: AZM1 18.6% SPAN:26.850m EH:7.822m L:56.44m ALT:		CRANE: 1x3.8,1x20,1x5		103065				
LOADS: LL/MJ/AdL: 100/165/30 (Da/N/m <sup>2</sup> )					EW-2				
NORMS: PRIM. AISC	SEC. AISI	MEMBR - 16R23							
ASTRON		ENDWALL AXIS 9 (FRAMING,SHEETING),IN		REV. A		DATE: 06/06/01			
				REV. B		ENG: P.FAUTSCH			
				REV. C		DRAF: T.BRUEGGEMANN			
COMMERCIAL INTERTECH S.A. - P.O.Box152 - L-9202 DIEKIRCH-LUXEMBOURG - tel:(352)802911									

FORM+RYMI  
HUS OG RAÐGJÖF ehf.  
ARKITEKTUR- OG FRAMHAFSDEIÐIS TÖRVA  
Kk-510395-2529 Vsk. 37600  
Skulagata 62 - 105 Reykjavík  
Sími 508 2420 Fax 502 2430  
21. september 2002  
Helgi G. Samuelsen