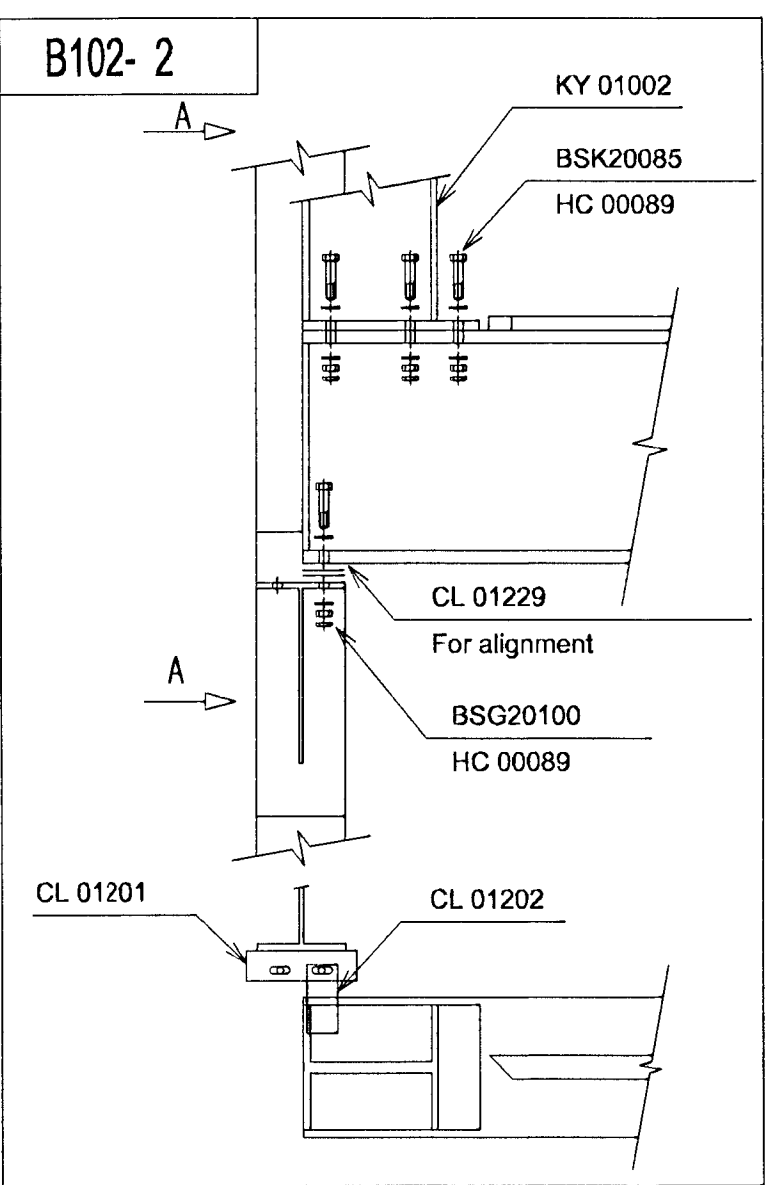
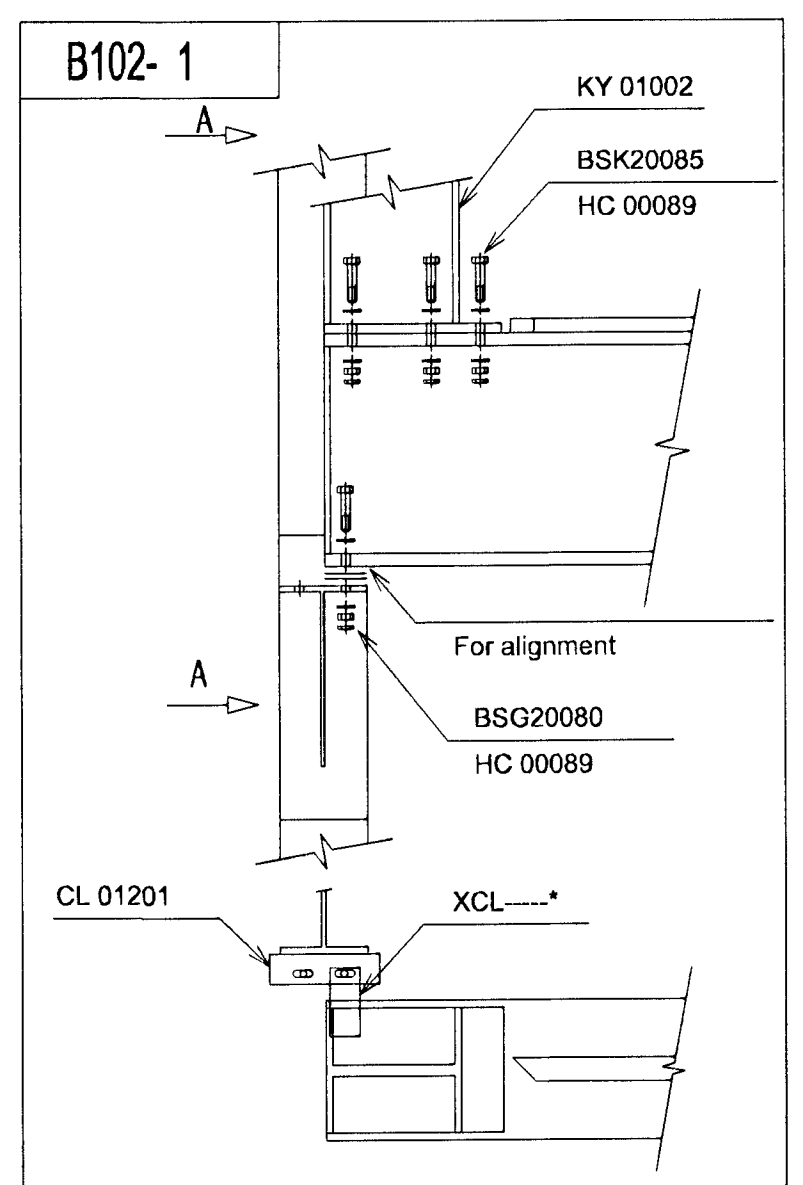
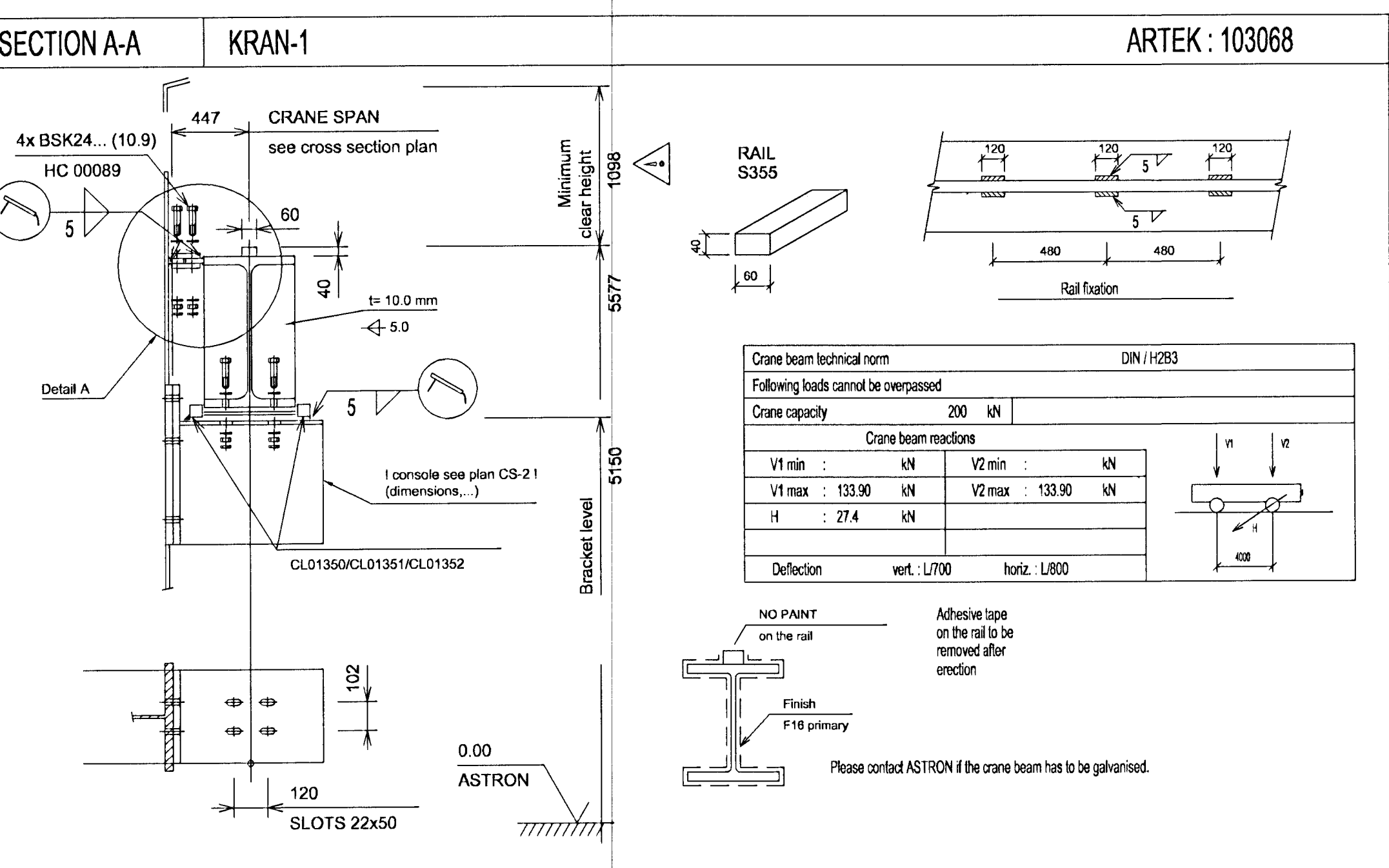
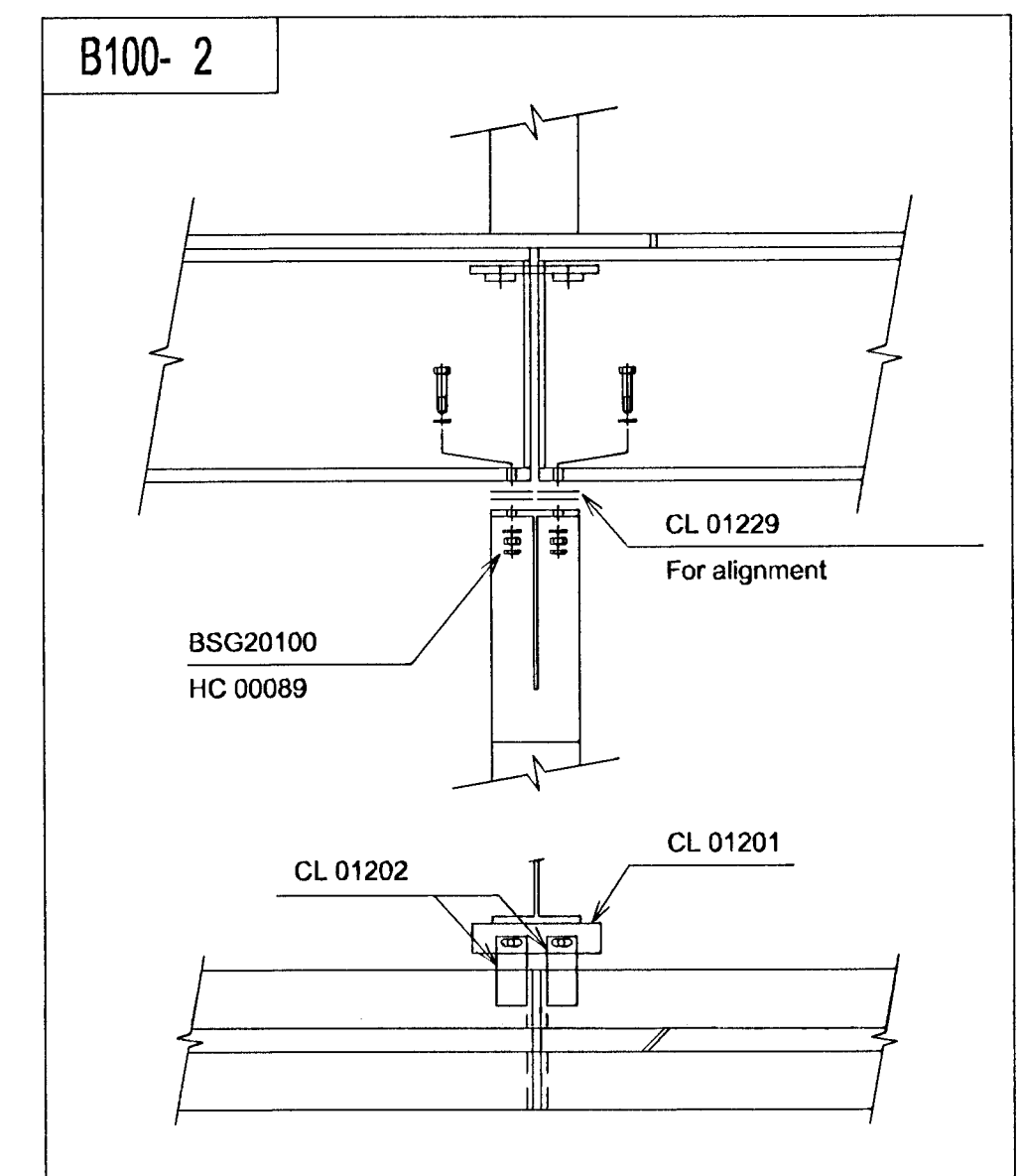
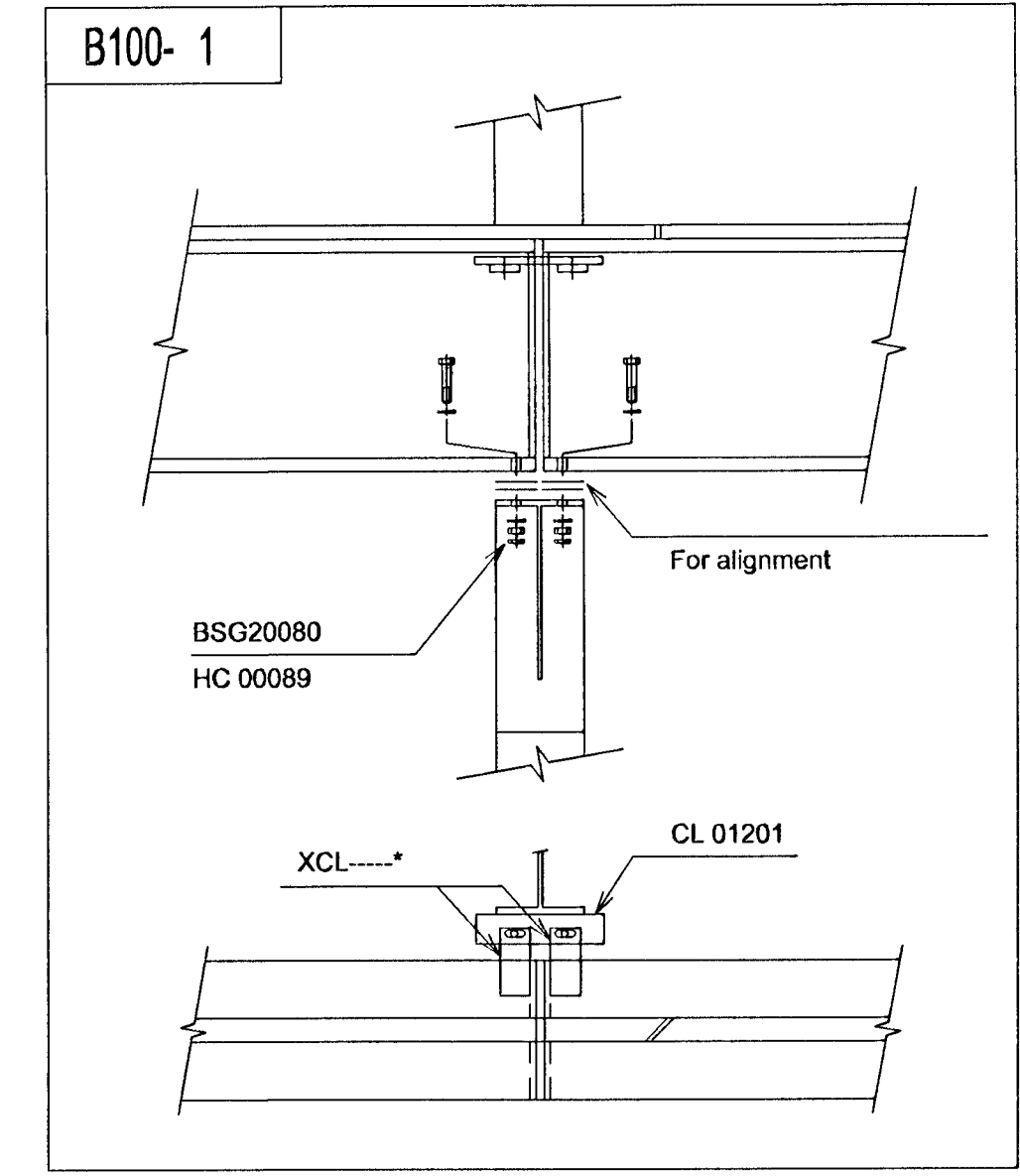
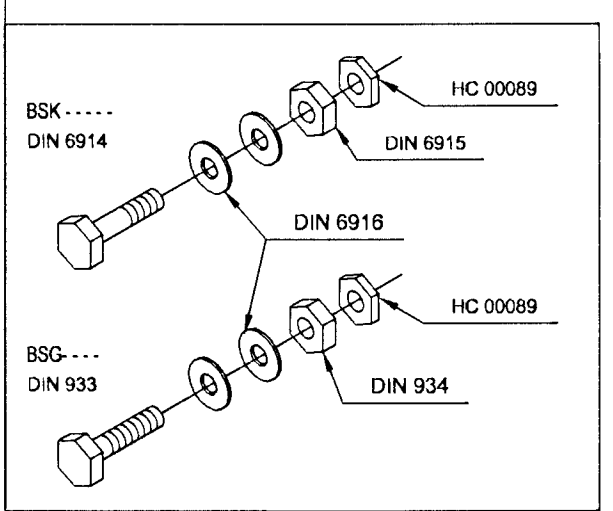


CRANE(S) LAYOUT  
(SCALE: 1:125)



S 235 J2G3

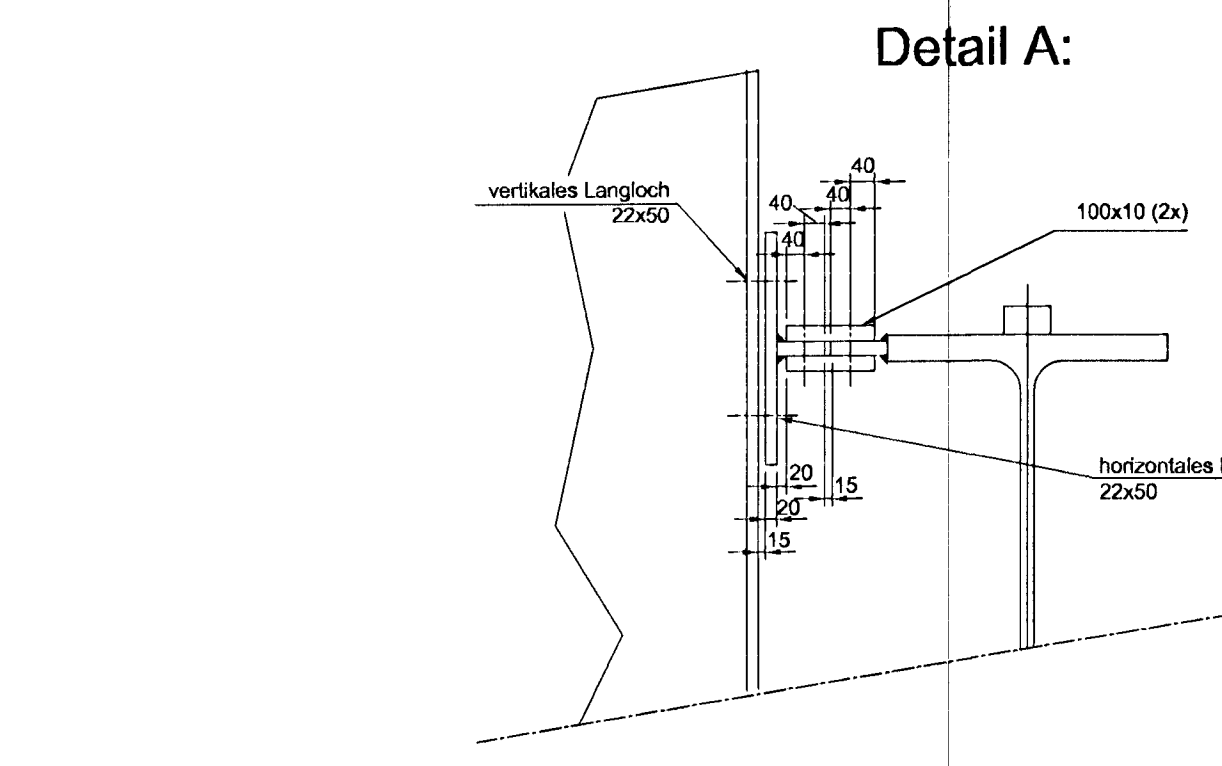
	H	tw	B	tf	r	W m
HD 400 x 262	387	21.1	398	33.3	15	262



**TECHNICAL NOTES**

- Drawings to read in conjunction with ASTRON technical manual
- All measures in millimeters
- \* = Field adapted
- Design of foundations by local engineer
- Applicable column reactions see chart "Foundation Reactions"
- Purlin spacings are rounded to mm and cannot be added
- Flange bracings installation per standard detail W1 chapter
- Field locate roof openings and accessories
- Compensation of panel tolerance currently during installation
- Unless noted differently:
  - Purlin diaphragms - At peak (see W316, W326, W327)
  - Double purlins (see W311, W321)
  - Wind bracing details, see chapter W2
  - Roof stabilisation if necessary:
    - Purlin spacers (HSA, HSB, HSC, HSD. SEE W37 AND W38)
    - Sag rods (RSG...) see W16 and cross section
    - Tie straps (HC 250) see W7 chapter
- Field cut and adapt girts and panels shown in overlap with an accessory element

15 APR. 2002



**FORM+RYMI**  
 HÚS OG RÁÐGJÖF ehf.  
 ARKITEKTUR OG VEIÐRÆÐISSTOFA  
 Kt. 110/93-2539 - Vak. 3.7600  
 Skilagarhu 68 - 105 Reykjavík  
 Sími: 562 2120 - Fax: 562 2430  
 21. September 2001  
 Hjóni G. Samúelsson

This design is Astron property, copying and manufacturing components according to these drawings or calculations is illegal.

DET: \_\_\_\_\_

PROJ: VELSMDIA 1 - ICELAND  
 BUILDING: AZM1 18.6% SPAN 25.850m EH 7.822m L 58.44m ALT.  
 LOADS: LLW/ADD: 100/165/30 (Dn/Nm2) CRANE: 1x3.6, 1x20, 1x5

DATE: 06/06/01  
 ENG: P.FAUTSCH  
 DRAF: T.BRUEGGEMANN

**103065**  
**CR-1**

ASTRON  
 REV. A  
 REV. B  
 REV. C

COMMERCIAL INTERTECH S.A. - P.O. Box 152 - L-9202 DIEKIRCH-LUXEMBOURG - tel: (352) 802911