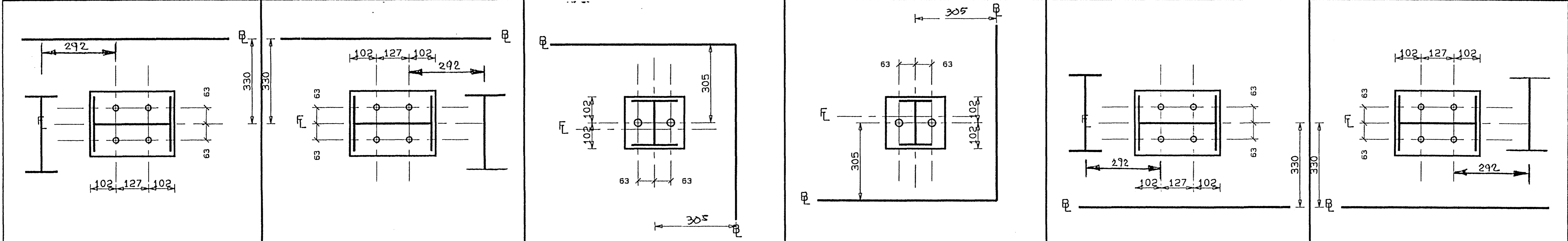
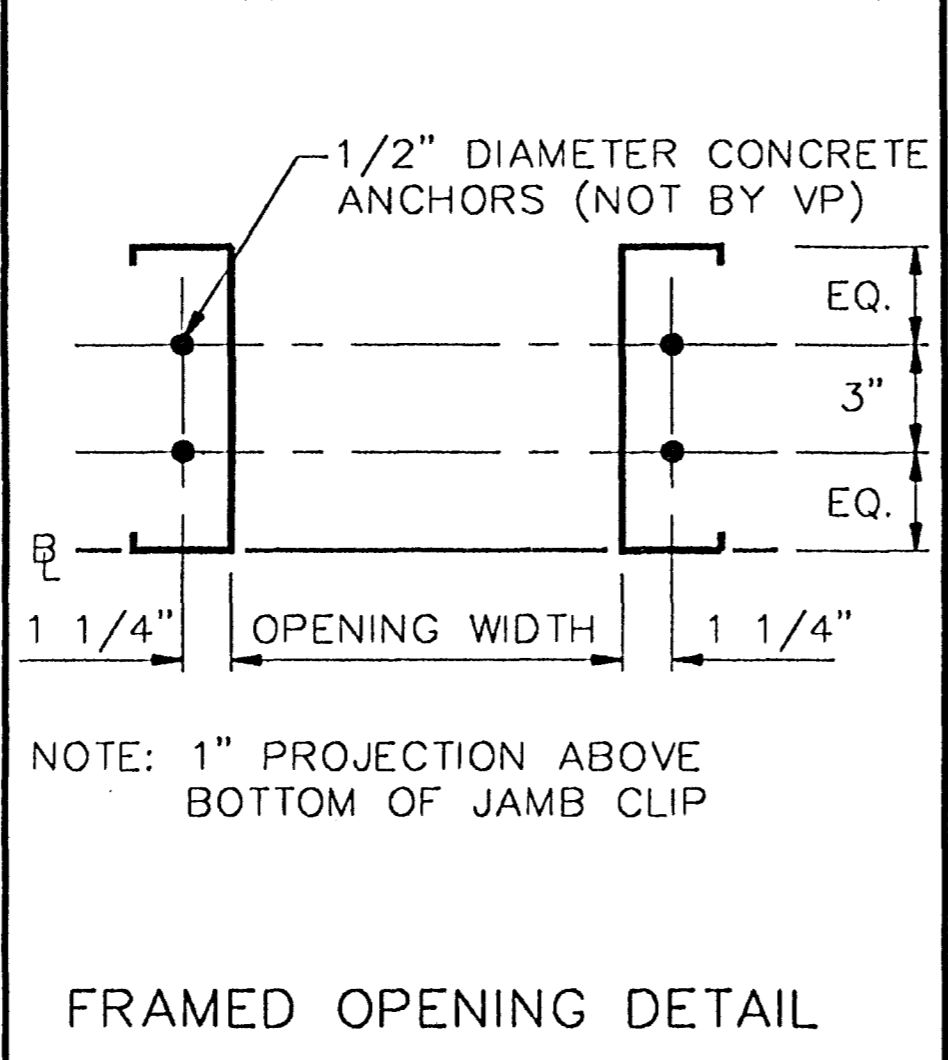
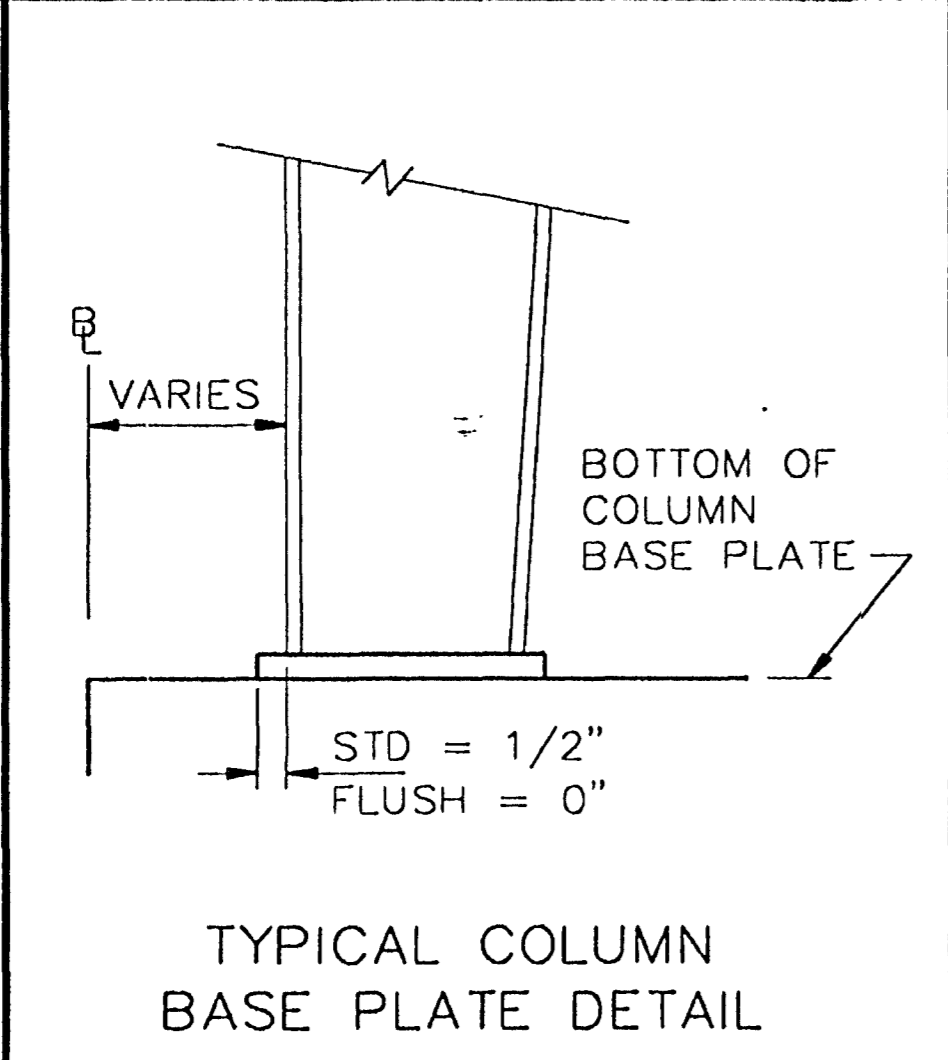
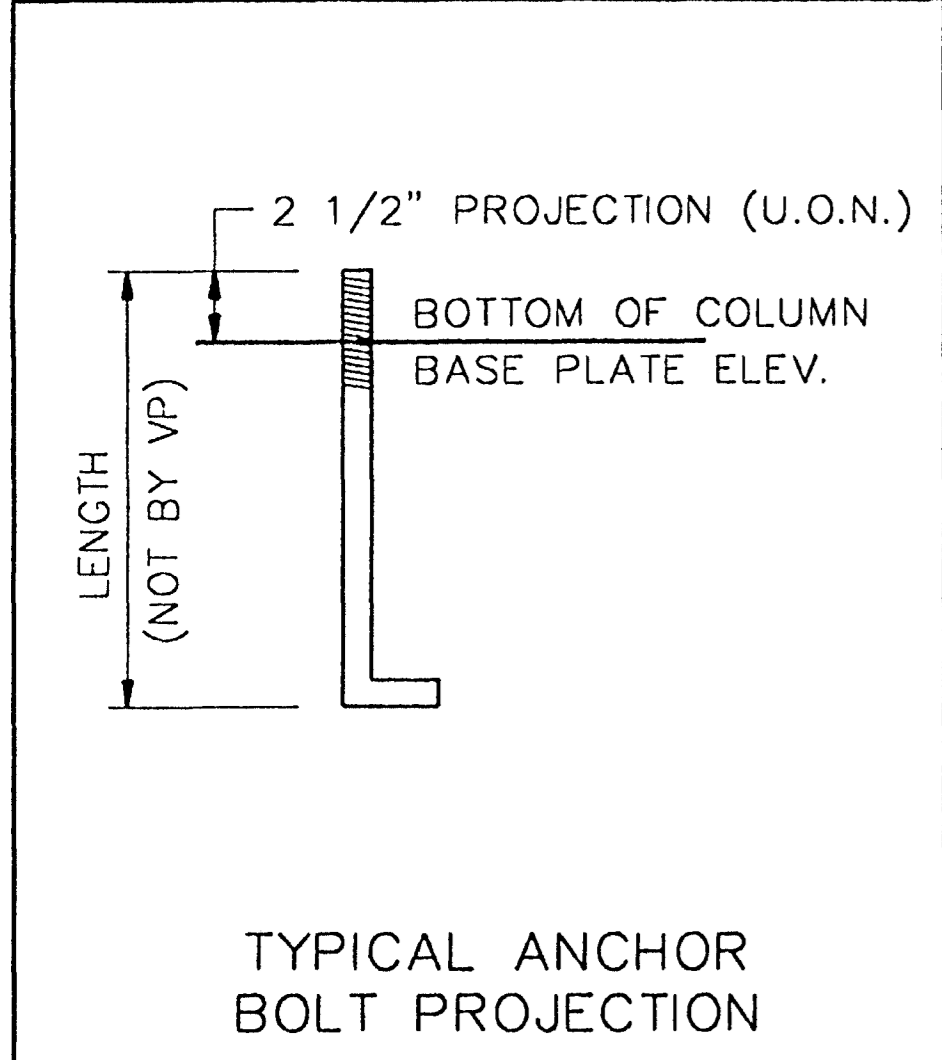


D1 (2) 25 Dia. A-36 A. Bolts Plate L=203 W=229 T=10 Elevation= 9800  
 D2 (2) 25 Dia. A-36 A. Bolts Plate L=203 W=229 T=10 Elevation= 9800  
 D3 (2) 19 Dia. A-36 A. Bolts Plate L=229 W=203 T=10 Elevation= 9800  
 D4 (2) 19 Dia. A-36 A. Bolts Plate L=229 W=203 T=10 Elevation= 9800  
 D5 (4) 19 Dia. A-36 A. Bolts Plate L=330 W=203 T=10 Elevation= 9800  
 D6 (4) 19 Dia. A-36 A. Bolts Plate L=330 W=203 T=10 Elevation= 9800



D7 (4) 19 Dia. A-36 A. Bolts Plate L=330 W=254 T=10 Elevation= 9800  
 D8 (4) 19 Dia. A-36 A. Bolts Plate L=330 W=254 T=10 Elevation= 9800  
 D9 (2) 25 Dia. A-36 A. Bolts Plate L=203 W=229 T=10 Elevation= 9800  
 D10 (2) 25 Dia. A-36 A. Bolts Plate L=203 W=229 T=10 Elevation= 9800  
 D11 (4) 19 Dia. A-36 A. Bolts Plate L=330 W=254 T=10 Elevation= 9800  
 D12 (4) 19 Dia. A-36 A. Bolts Plate L=330 W=254 T=10 Elevation= 9800



On: filesrv Projky: 38890 Bldg: 1 Plane: 1 This Drawing is Sealed only as to the Components furnished by VP Buildings

1. CONCRETE, GROUT, ANCHOR BOLTS, AND ANY OTHER EMBEDDED ITEMS ARE TO BE FURNISHED BY OTHERS
2. ANCHOR BOLT DIAMETERS WERE DETERMINED BY ALLOWABLE SHEAR AND TENSION PER AISC SPECIFICATIONS (FY = 36 KSI). ANCHOR BOLT LENGTH AND METHOD OF TRANSFERRING FORCES FROM ANCHOR BOLTS TO FOOTINGS ARE TO BE DETERMINED BY OTHERS.
3. DESIGN LOADS AND REACTIONS ARE FURNISHED ON OTHER DOCUMENTS.
4. FOUNDATION MUST BE LEVEL, SQUARE, AND SMOOTH. ANCHOR BOLTS MUST BE ACCURATELY PLACED AS SHOWN ON THIS DRAWING OR STEEL WILL NOT FIT.

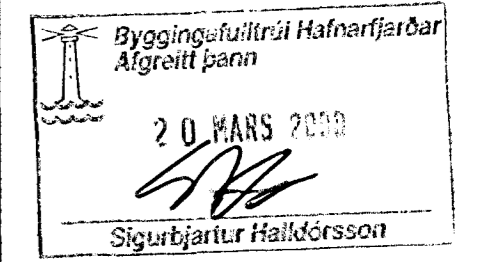
Building Code:	86MBMA
Live Ld (w/Trib Red):	102.5 kgsm
Coll. Ld (gravity):	24.4 kgsm
Coll. Ld (uplift):	0.0 kgsm
Wind Speed:	170.6 kmph
Wind Exp. Cat.:	C
Ground Snow:	146.5 kgsm
Roof Snow:	102.5 kgsm
Snow Exp. Cat.:	3
Seismic Zone:	3
Building Use Cat.:	1
Auxiliary Loads	NONE

This Drawing, including the information hereon, remains the property of VP Buildings.  
 It is provided for Erecting the Building described in the applicable Purchase Order and shall not be modified, reproduced or used for any other purpose without prior Written Approval of VP Buildings.  
 The General Contractor and/or Erector is solely responsible for accurate good Quality Workmanship in erecting this Building in conformance with this Drawing. Details referenced in this Drawing, all applicable VP Buildings Erection Details and all Industry Standards pertaining to proper erection, including the correct use of temporary bracing.

REV	DATE	BY	DESC.	BUILDER
				Varco-Pruden Exports
				CUSTOMER
				Sindri
				LOCATION
				Iceland.
				PROJECT
				Sindri Workshop
				BUILDING
				workshop 1

Anchor Bolt  
 QUOTE # ME99012531-001 ME99070314-01-DE-  
 JOB # 70314-01-DE-  
 DATE 07/26/99  
 TIME 07:42  
 DRAW/CHECK  
 PAGE 3  
 VP BUILDINGS  
 VARCO-PRUDEN

Verkfæðistofa Norðurlands átt.  
 Hofsbót 4 600 Akureyri. kt. 660175-0869  
 Eiríkur Jónsson byggingaverkt.  
 kt. 051045-4679



VERKFRÆÐISTOFA NORÐURLANDS átt.