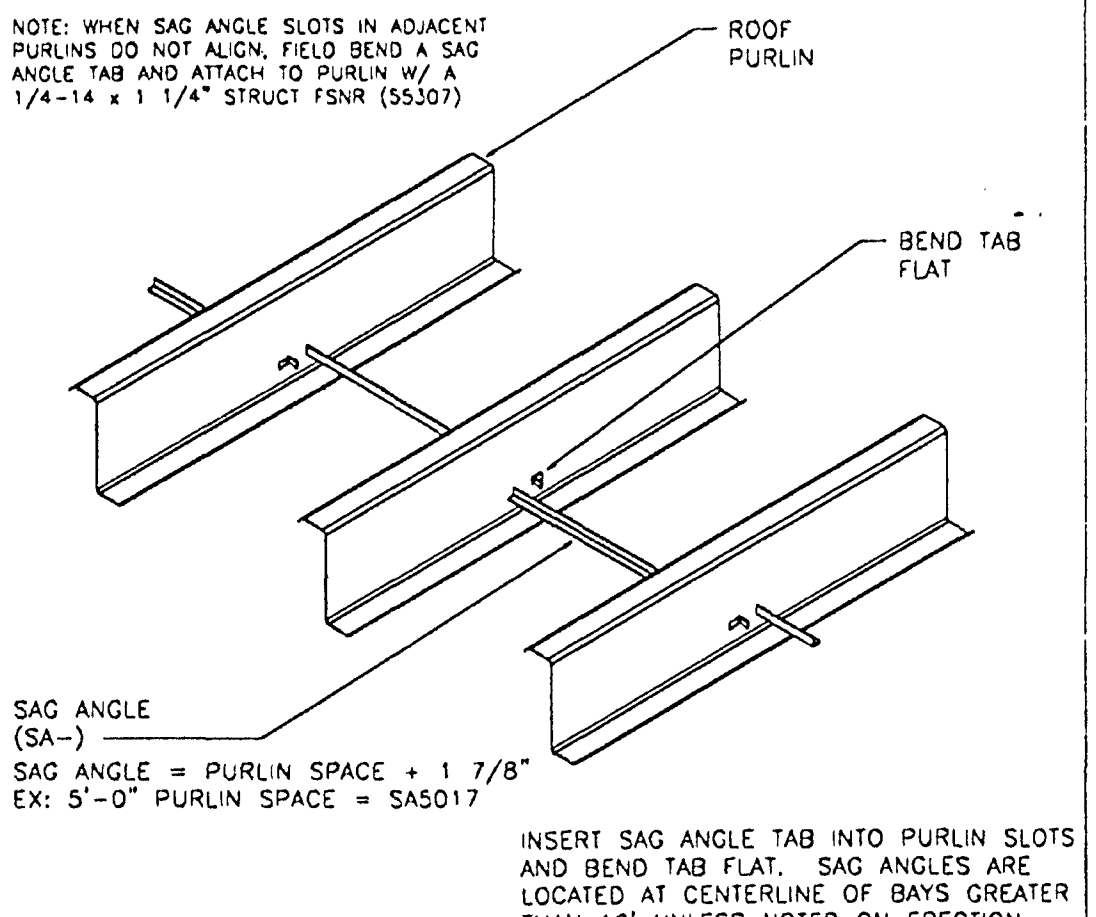
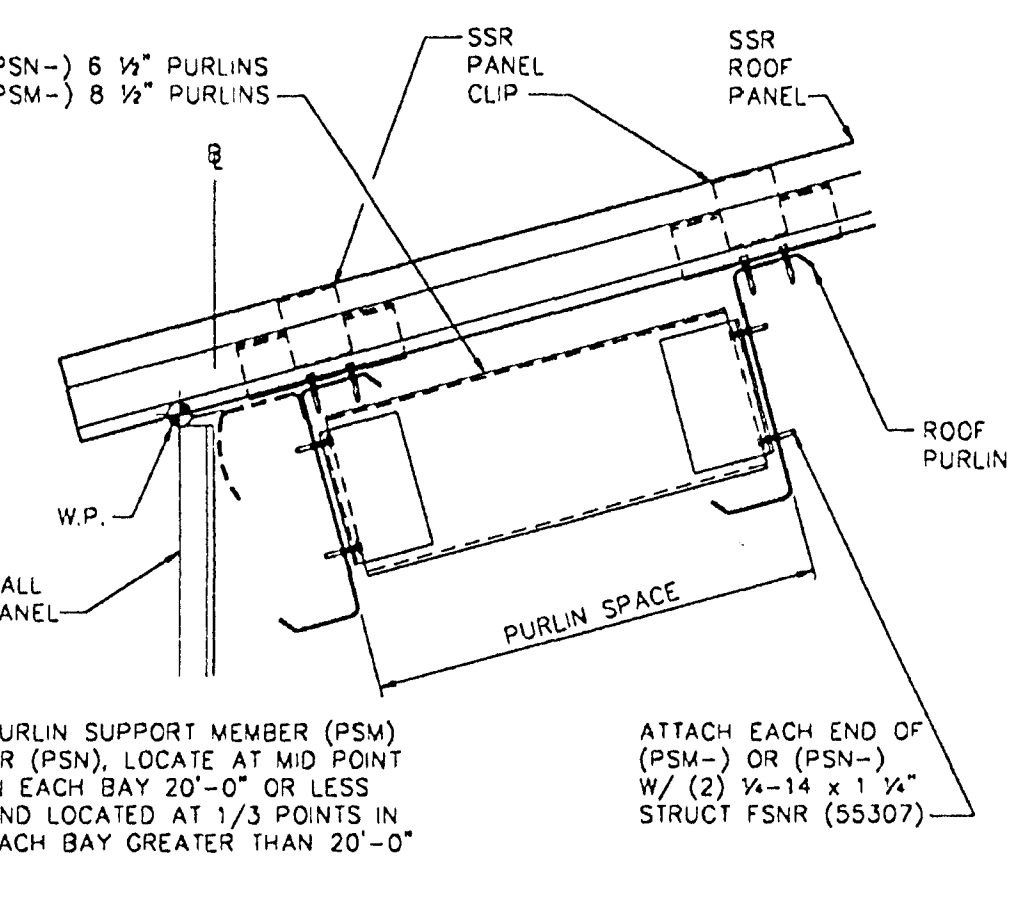


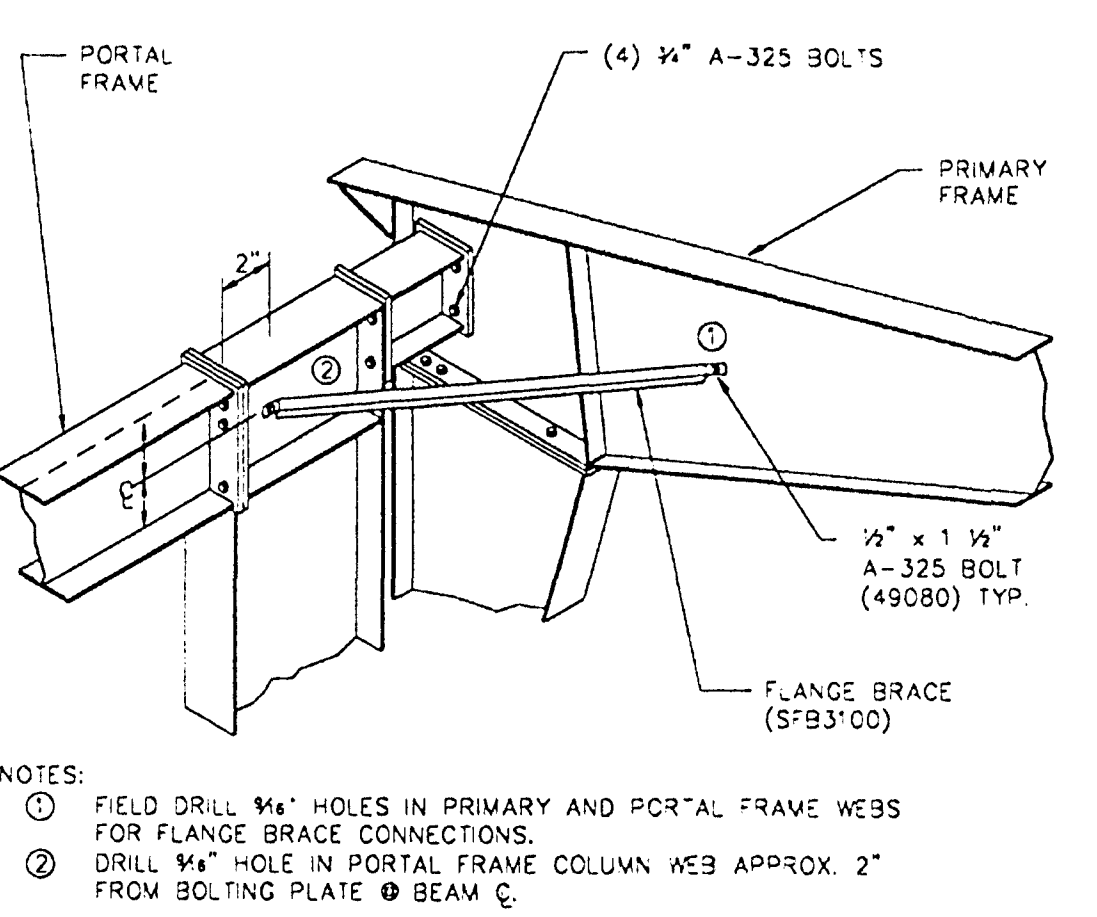
WALL FLANGE BRACING **BR07A1**
 OUTSET SIDEWALL COL (CONTINUOUS & SIMPLE)
 BR07A1V2 R 07/01/93



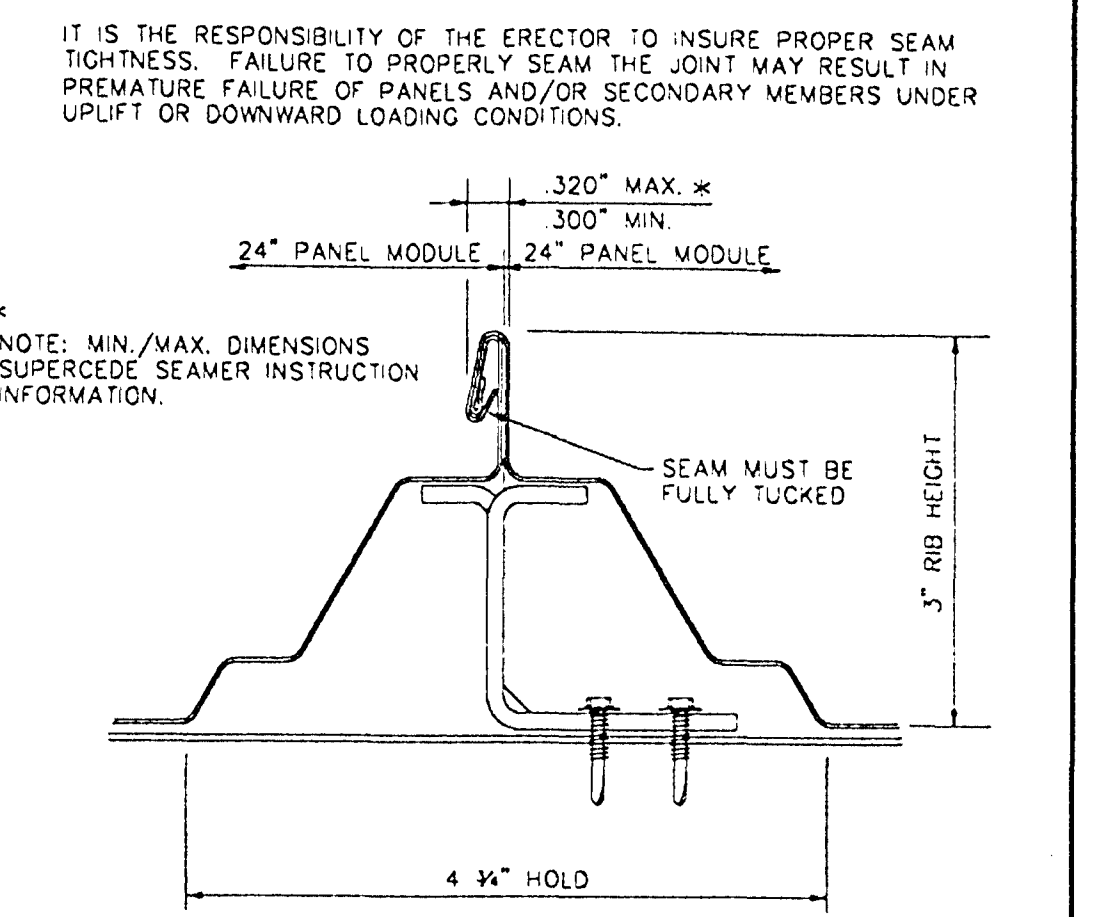
PURLIN BRACING **BR09A5**
 SAG ANGLE INSTALLATION
 BR09A5V3 R 01/15/99



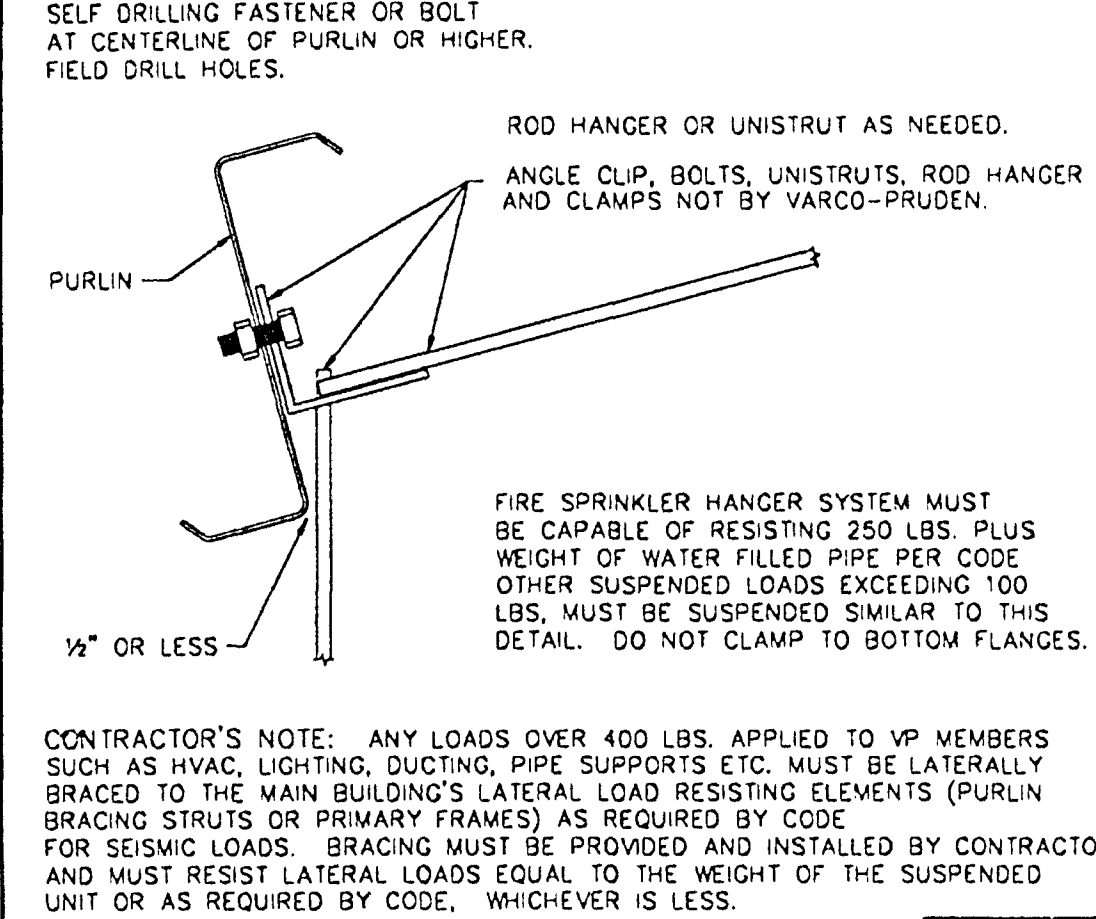
PURLIN BRACE AT EAVE **BR09B1**
 BR09B1V3 R 12/31/91



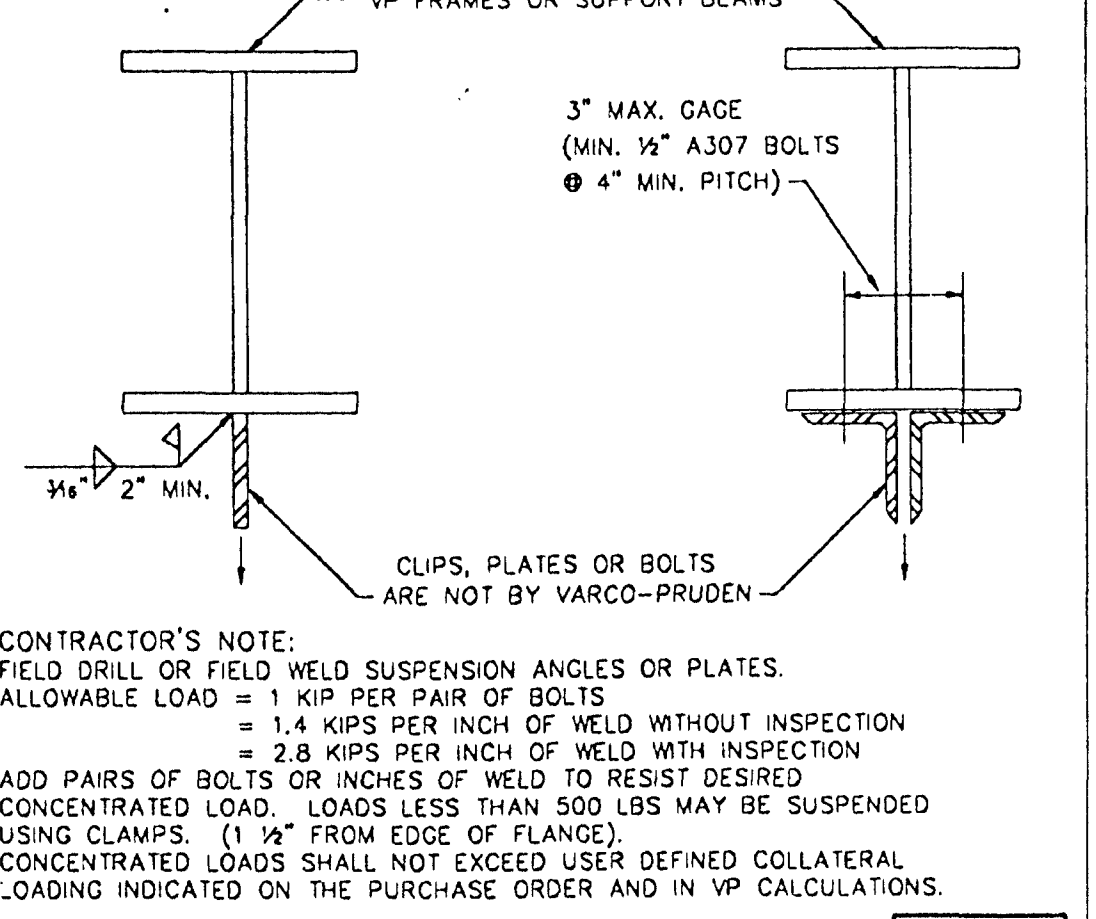
PORTAL FRAME DETAIL **BR12E1**
 FLANGE BRACING
 BR12E1V2 R 06/14/96



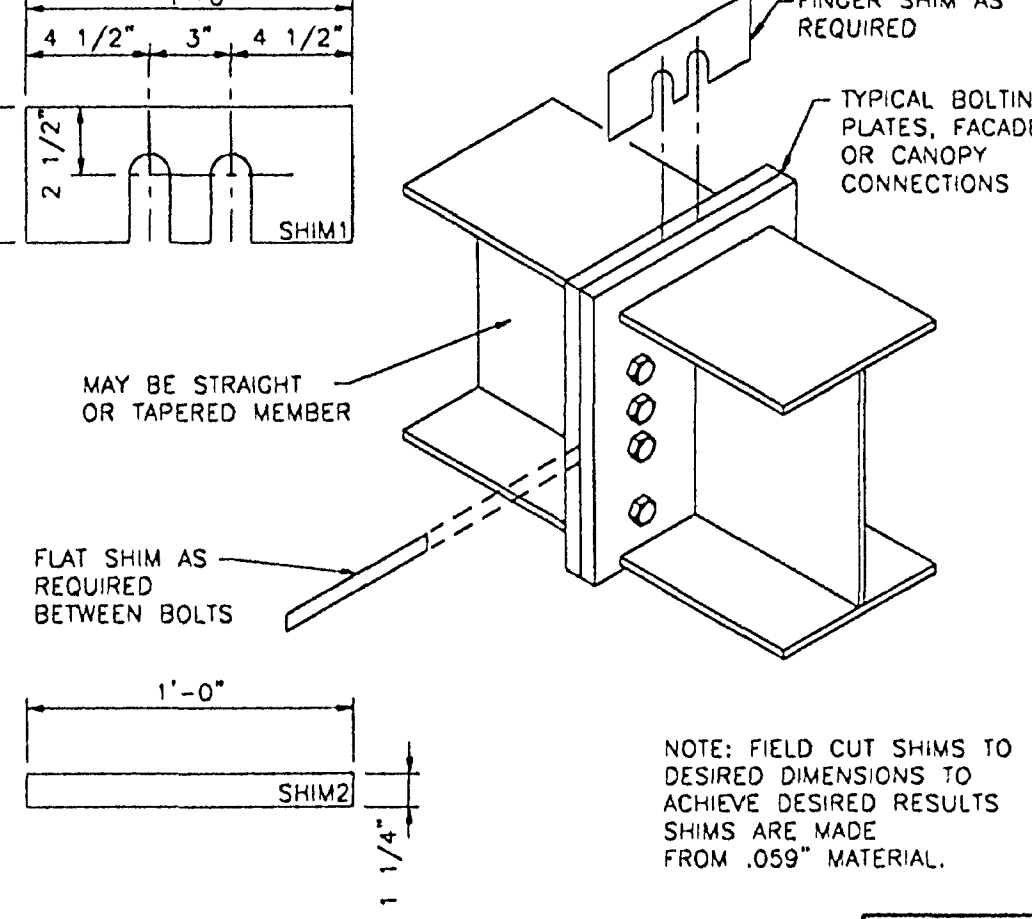
SSR SEAMING GUIDELINES **EN01B2**
 RIB & SEAM PROFILE
 EN01B2V1 03/01/93



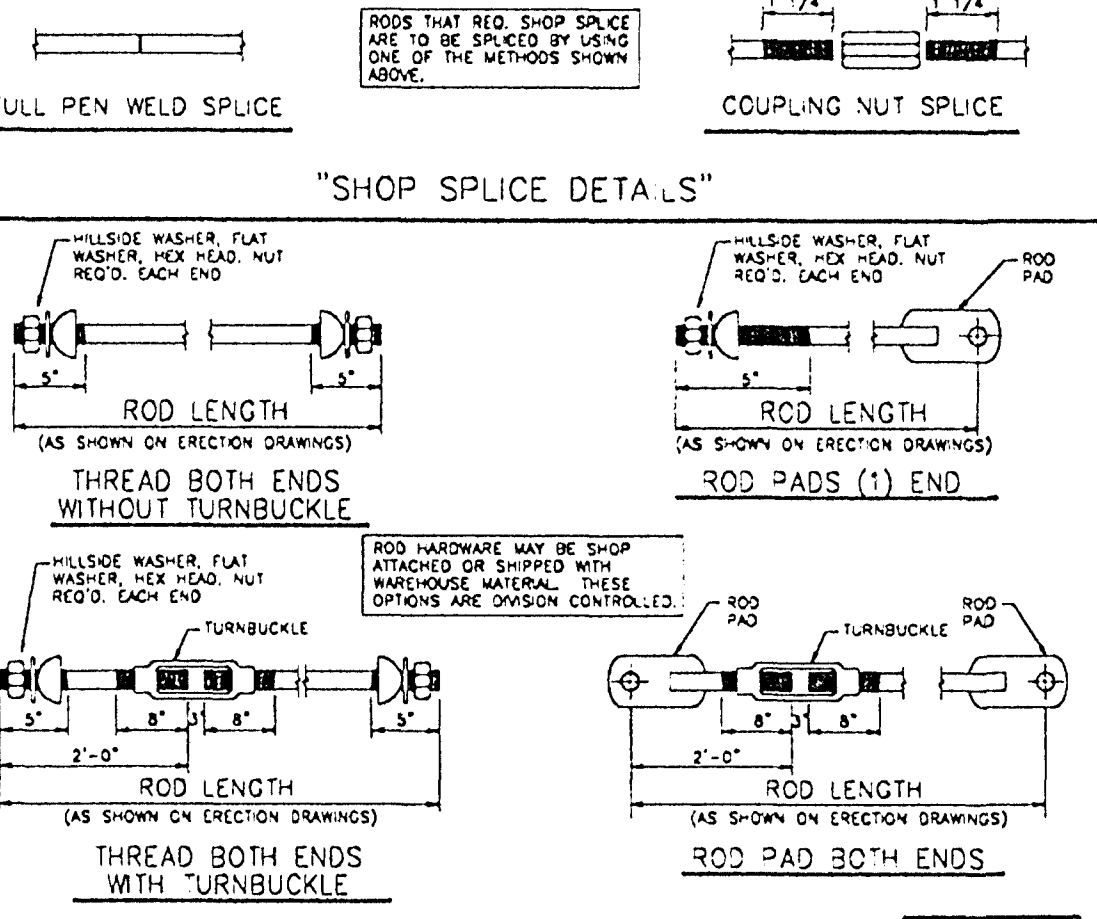
SUSPENDED LOADS **EN10A1**
 FROM PURLINS - 100 LB. LOADS OR GREATER
 EN10A1V2 R 10/25/95



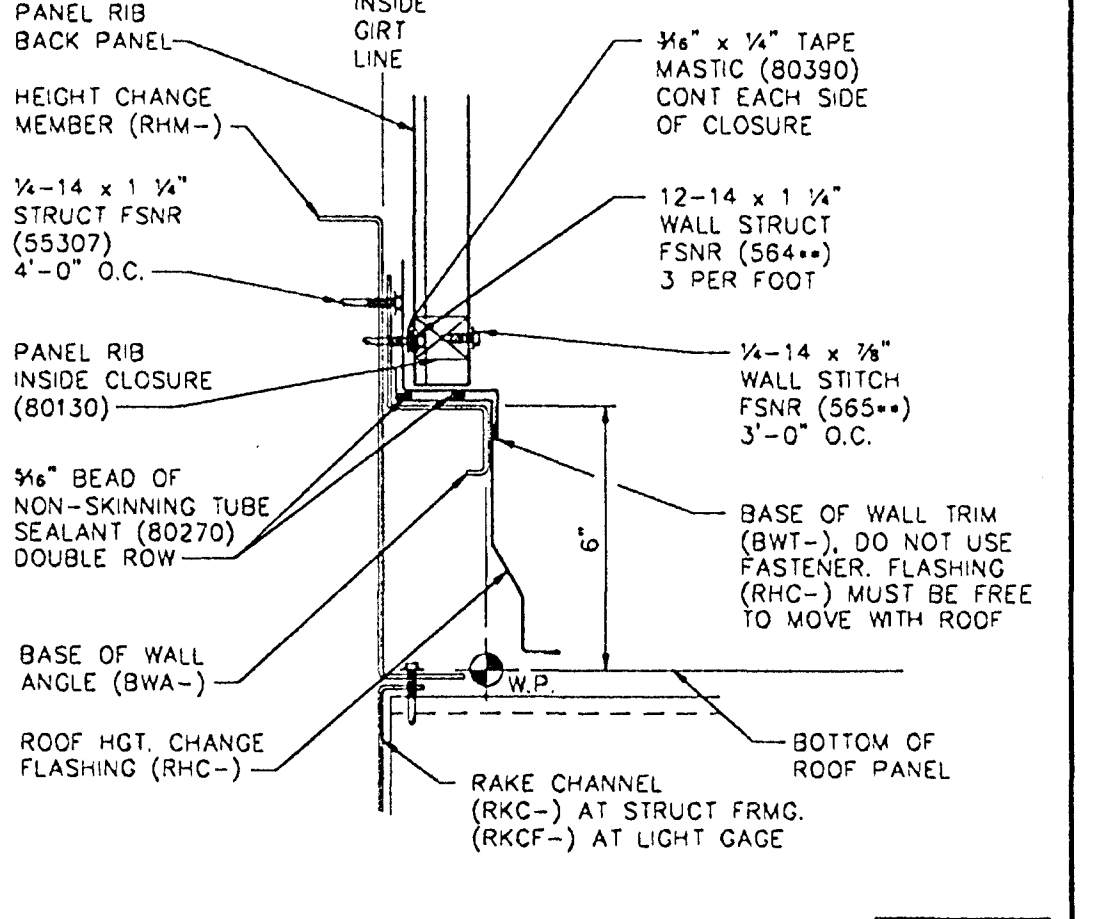
SUSPENDED LOADS **EN10A2**
 FROM STRUCTURAL BEAMS
 EN10A2V1 03/01/93



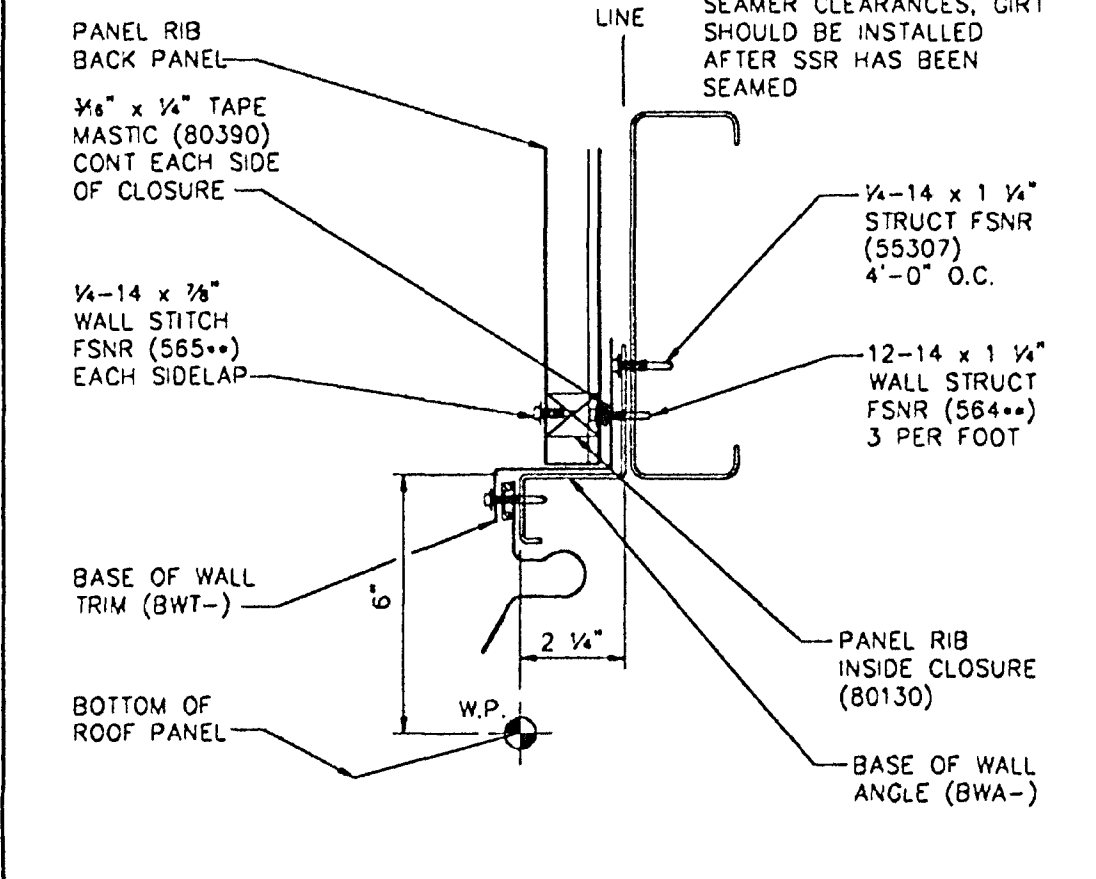
STANDARD SHIM PROCEDURE **EN20A1**
 TYPICAL AT ANY BOLTED CONNECTION
 EN20A1V2 R 06/31/98



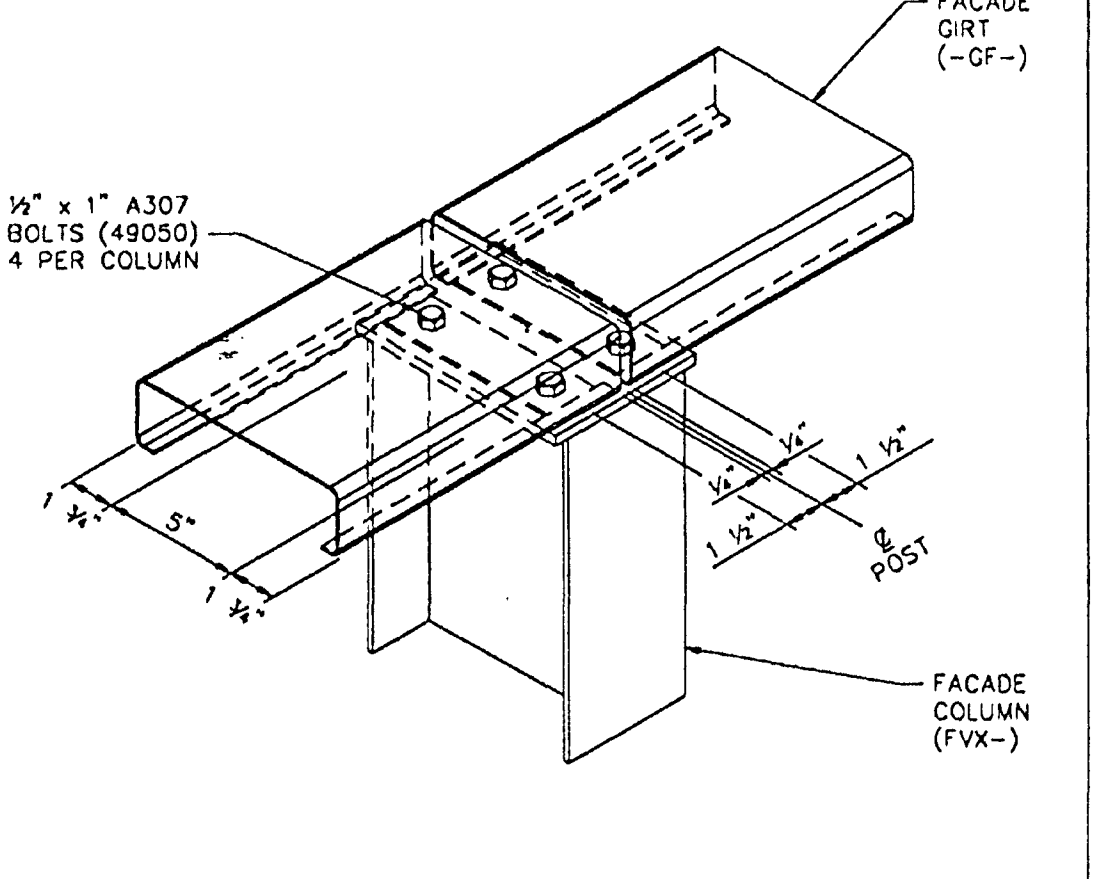
ROD BRACE ASSEMBLY DRAWING **EN30A1**
 EN30A1V1 12/02/97



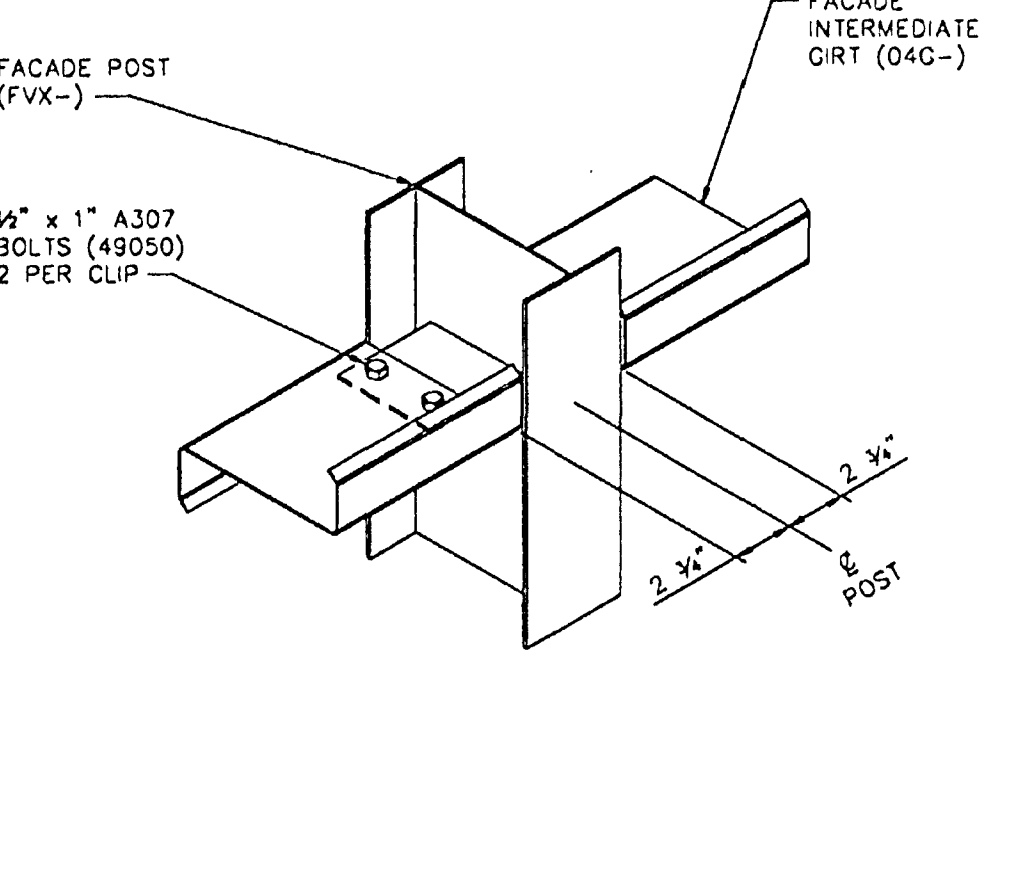
FACADE BACKING AT RF HT CHNG. **FC09B3**
 SSR ROOF & PR BACK (UNDER 25 PSF L.L.) METAL FLASHING
 FC09B3V2 R 01/15/94



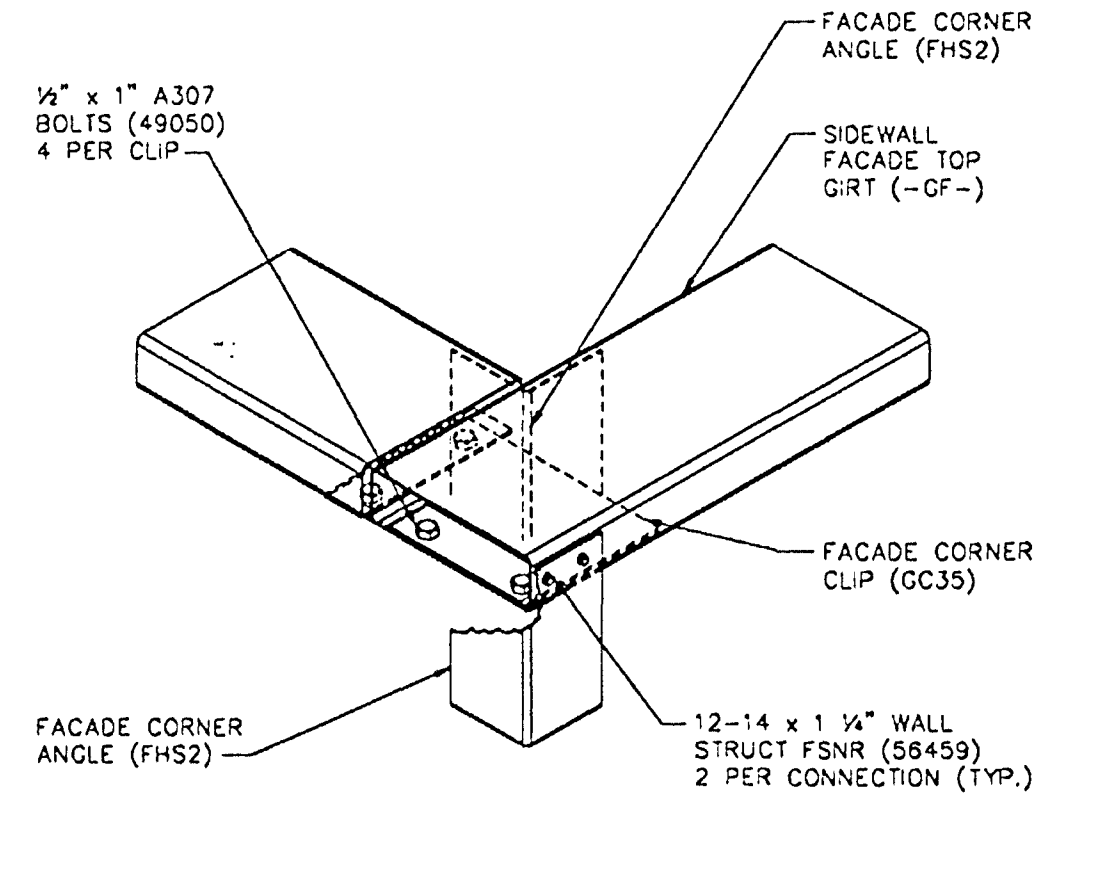
FACADE BACKING AT WALL TO RF. **FC09C1**
 SSR ROOF & PR BACK (UNDER 25 PSF L.L.) FLEXIBLE FLASHING
 FC09C1V2 R 01/15/94



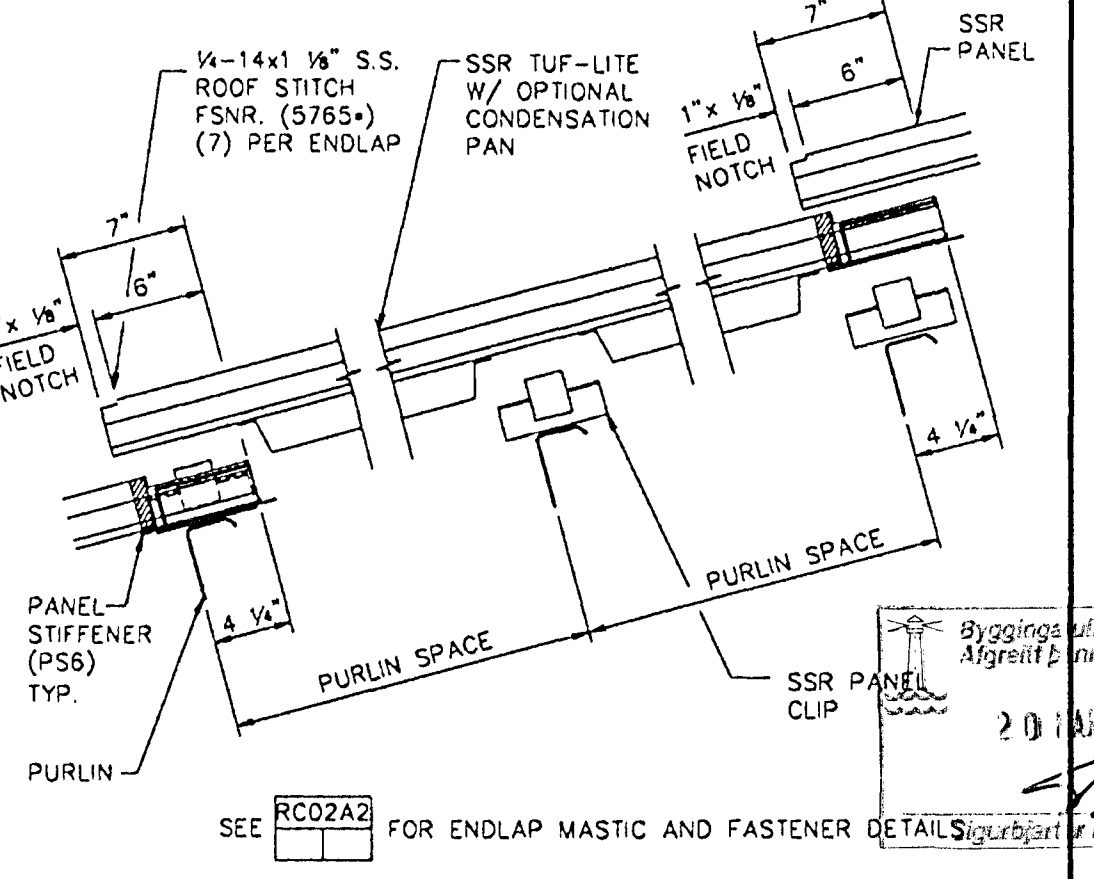
STRUCTURAL FACADE DETAILS **FS01A1**
 TOP GIRT CONNECTION TO FACADE POST
 FS01A1V1 03/23/90



FACADE INTERMED. GIRT CONN. **FS01B1**
 8 1/2\"/>



FACADE TOP GIRT CORNER CONN. **FS05A1**
 8 1/2\"/>



SSR TUF-LITE W/ OPTIONAL PAN **RA01A1**
 UL90 & NON-UL90 WITH PURLINS
 RA01A1V3 R 07/01/93

THIS DRAWING, INCLUDING THE INFORMATION HEREON, REMAINS THE PROPERTY OF VP BUILDINGS, INC.

Verkfæðistofa Norðurlands ehf.
 Hofsbót 4 600 Akureyri, kt. 560175-0869
 Eiríkur Jónsson byggingaverkfr.
 kt. 051045-4679

IT IS PROVIDED FOR ERECTING THE BUILDING DESCRIBED IN THE APPLICABLE PURCHASE ORDER AND SHALL NOT BE MODIFIED, REPRODUCED, OR USED FOR ANY OTHER PURPOSE WITHOUT PRIOR WRITTEN APPROVAL OF VP BUILDINGS. THE GENERAL CONTRACTOR AND/OR ERECTOR IS SOLELY RESPONSIBLE FOR ACCURATE, GOOD QUALITY, WORKMANSHIP IN ERECTING THIS BUILDING IN CONFORMANCE WITH THIS DRAWING. DETAILS REFERENCED IN THIS DRAWING, ALL APPLICABLE VP ERECTION DETAILS AND ALL INDUSTRY STANDARDS PERTAINING TO PROPER ERECTION, INCLUDING THE CORRECT USE OF TEMPORARY BRACING.

ERECTION DETAILS				
REV	DATE	BY	DESC	BUILDER
				Varco-Pruden Exports
				CUSTOMER: Sindri
				LOCATION: Iceland
				PROJ. NAME: Sindri Workshop
				BLOG NAME: workshop 1

SCALE: _____

VP BUILDINGS
VARCO-PRUDEN

JOB NO. NE9970314-01-0E-
 DATE 08/16/99
 DRAWN BY DHC
 CHKD. BY _____
 PG 22