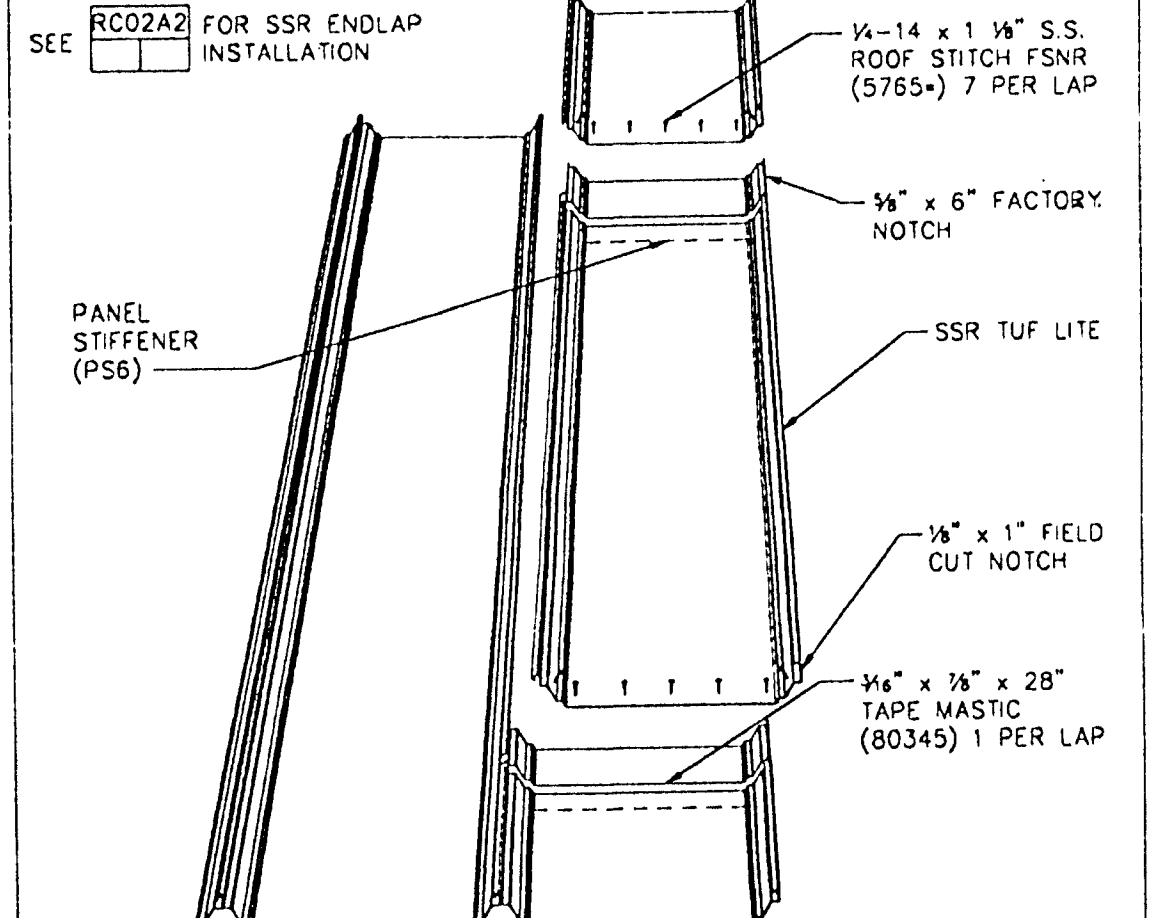


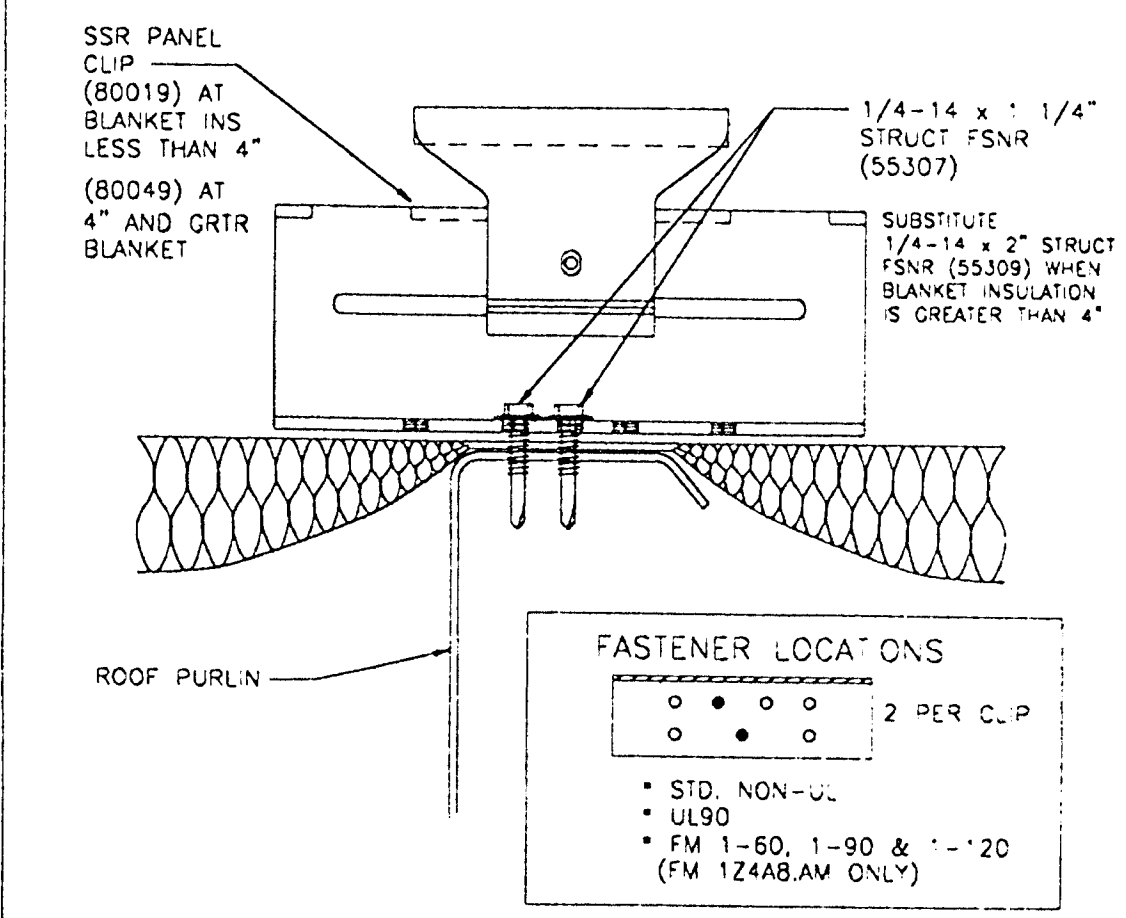
SSR TUF-LITE SIDELAPS RA01A2
NON-UL RATED
RA01A2V3 R 07/01/93



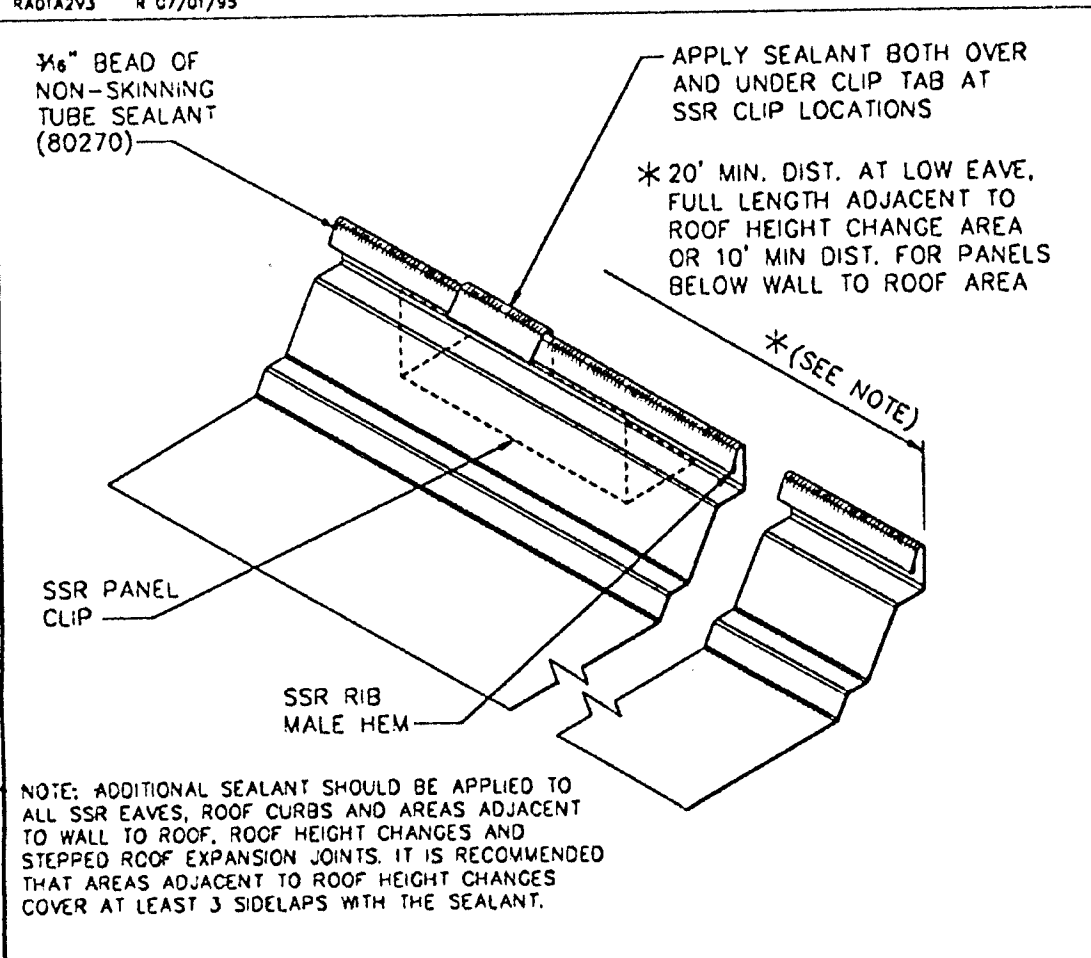
SSR TUF-LITE RA01A4
PLAN VIEW
RA01A4V3 R 07/01/93

1. DETAILS SHOWN ON THIS PAGE SUPERCEDE SIMILAR DETAILS IN THE "SSR ERECTION GUIDE". REFER TO THE "SSR ERECTION GUIDE" AND "MASTER REFERENCE DRAWINGS" FOR OTHER DETAILS, INSTALLATION PROCEDURES, AND ACCESSORIES NOT DESCRIBED IN THESE DETAILS.
2. FIELD PAINT STAINLESS STEEL ROOF FASTENER HEADS USED AT WALL LOCATIONS WITH WALL TOUCH UP PAINT.
3. ALL SURFACES MUST BE FREE OF DIRT AND OIL AT MASTIC AND SEALANT LOCATIONS.

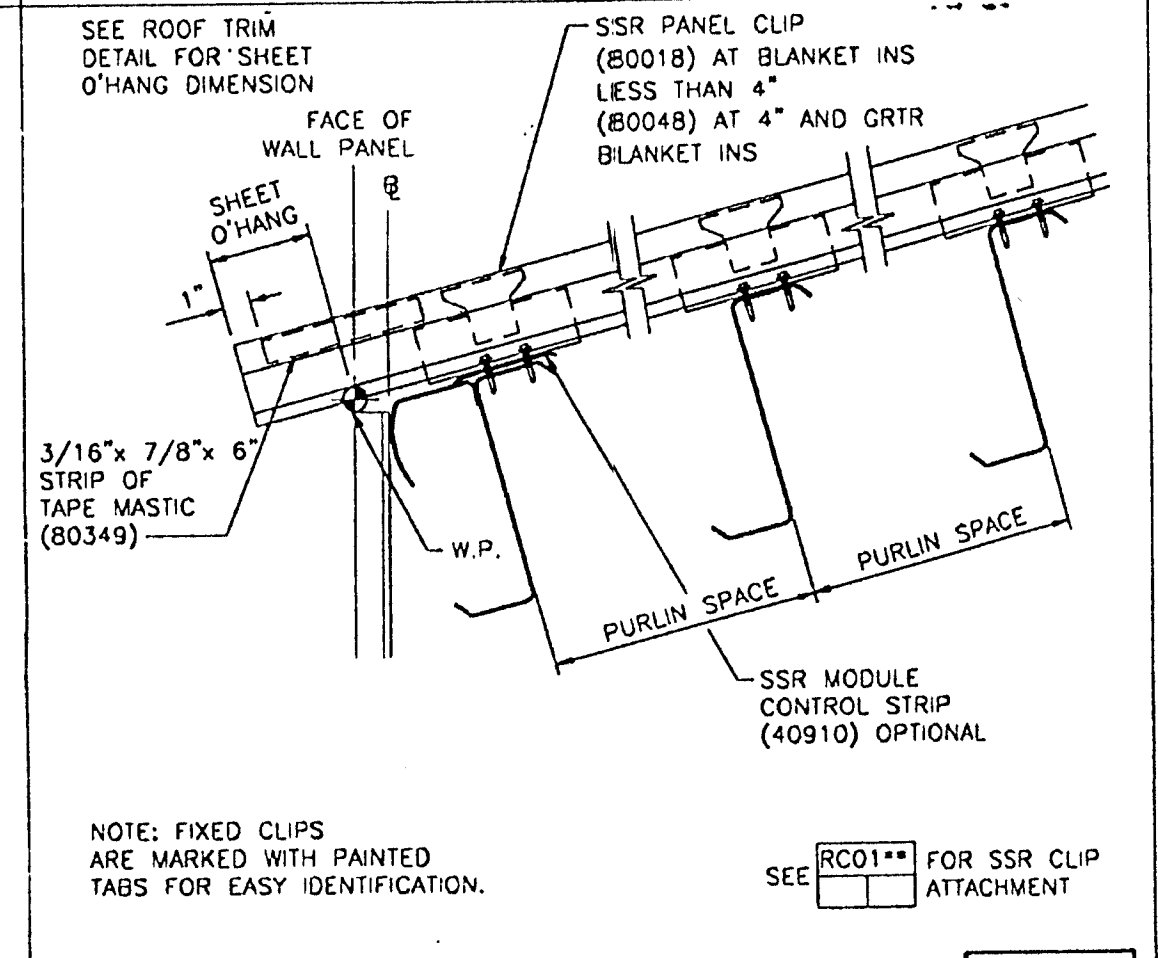
1. INTERIOR GUTTERS ARE TO BE INSTALLED LEVEL.
2. DOWNSPOUTS AND DOWNSPOUT NIPPLES ARE NOT PROVIDED BY VARCO-PRUDEN. WELDING OF NIPPLES TO GALVANIZED GUTTER IS NOT RECOMMENDED.
3. SCRATCHES AND ABRASIONS TO THE GALVANIZED FINISH OF THE INTERIOR GUTTERS SHOULD BE TOUCHED UP WITH COLD GALVANIZING (N.B.V.P.).



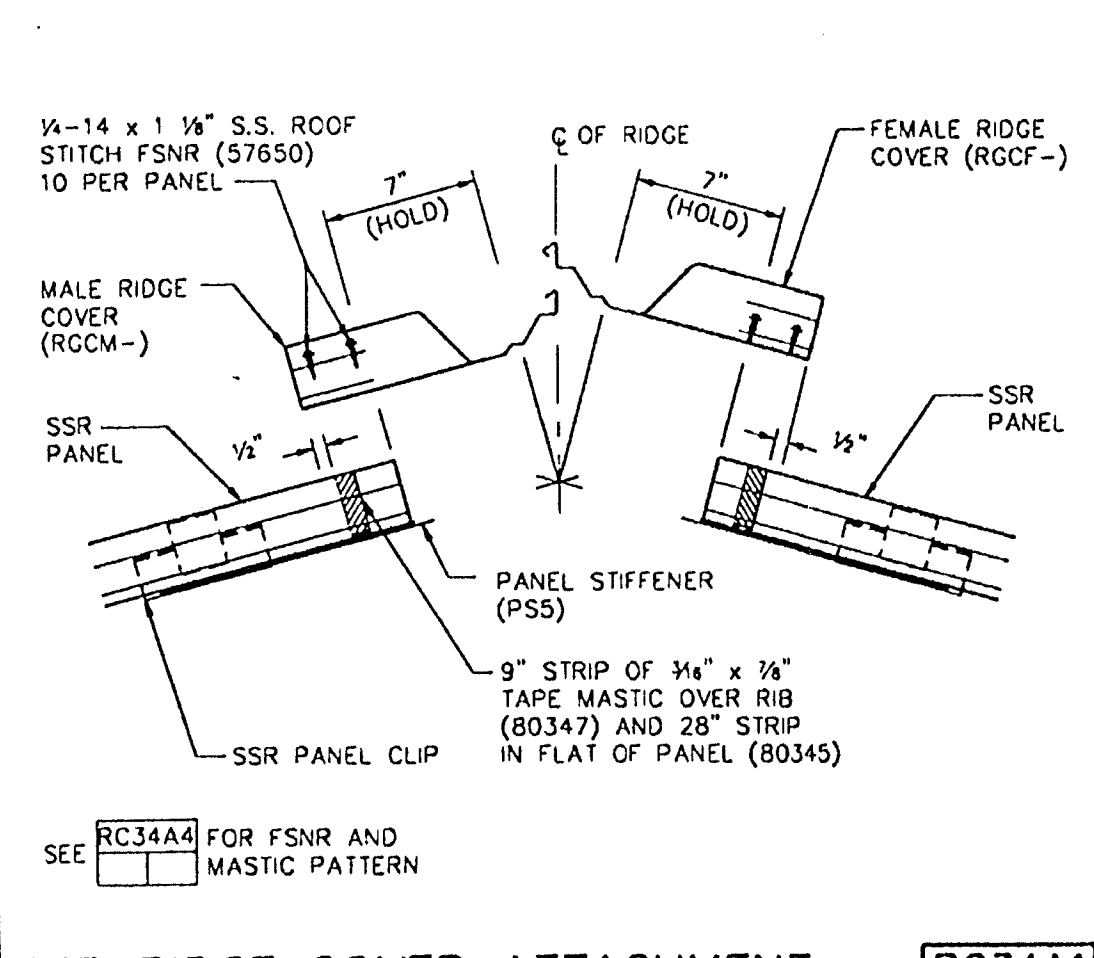
SSR PANEL CLIP ATTACHMENT RC01A1
BLANKET INSULATION ON PURLINS
RC01A1V2 R 02/20/98



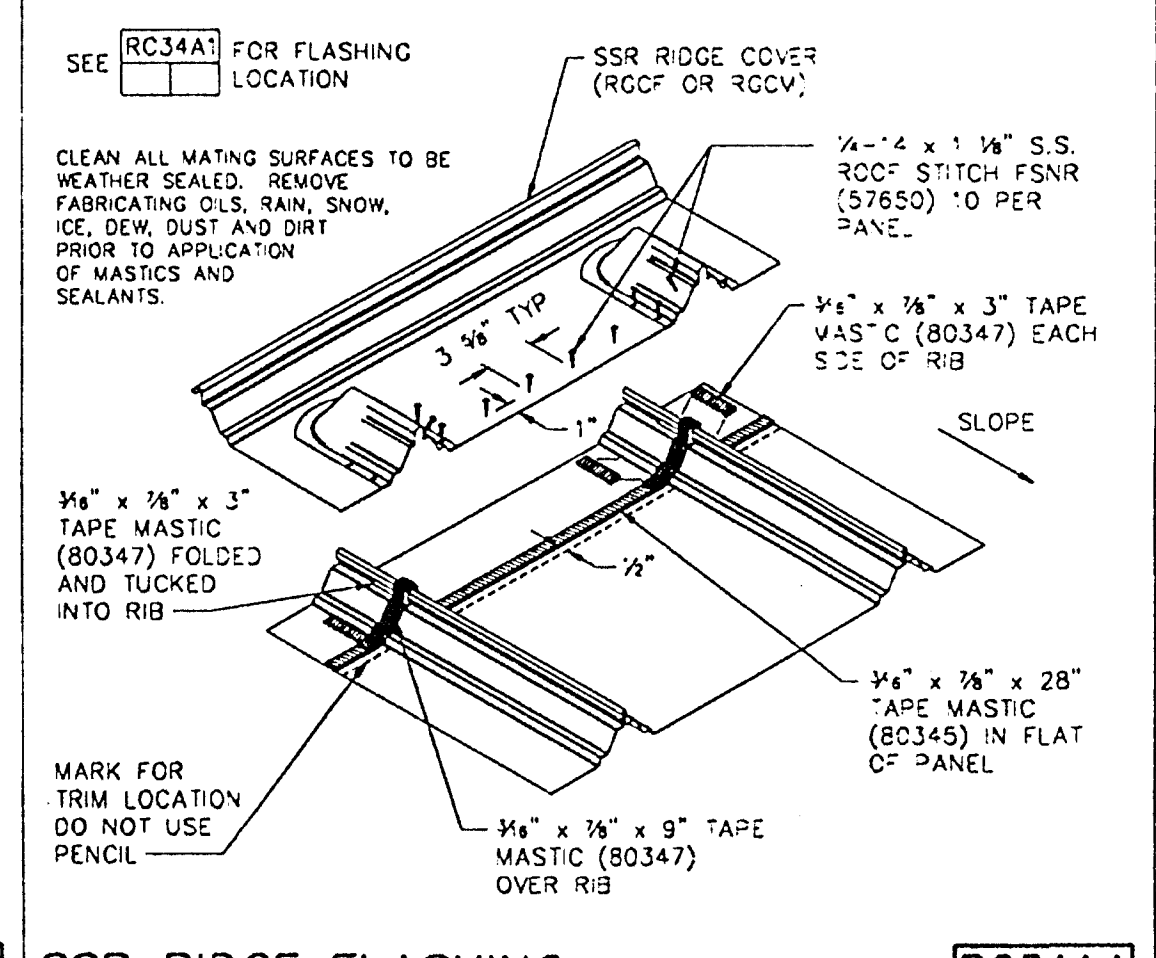
SSR PANEL SIDELAP RC03A2
ADDITIONAL WEATHERSEAL AT ICE DAMMING COND.
RC03A2V1 03/01/90



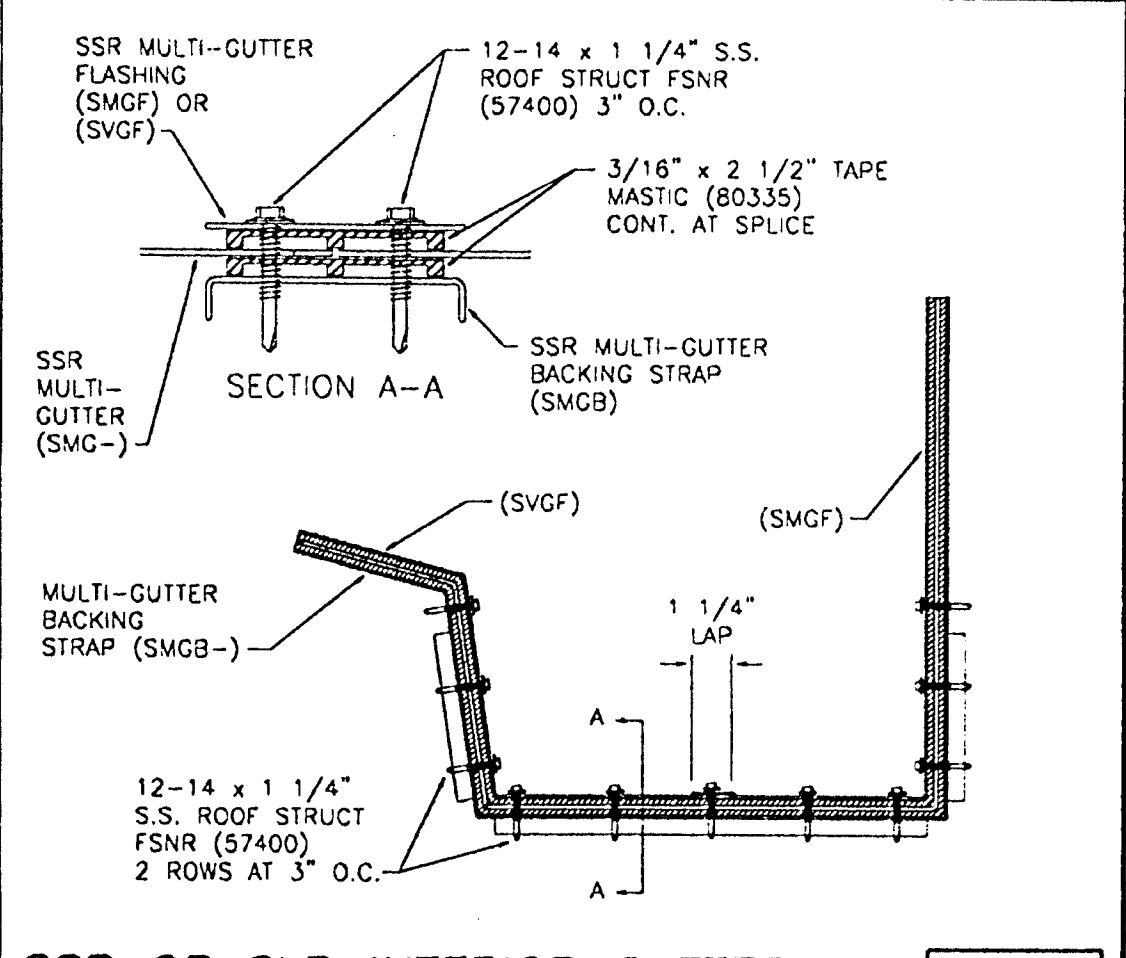
SSR ROOF AT FIXED LOW EAVE RC17A1
BLANKET INSULATION
RC17A1V2 R 01/15/98



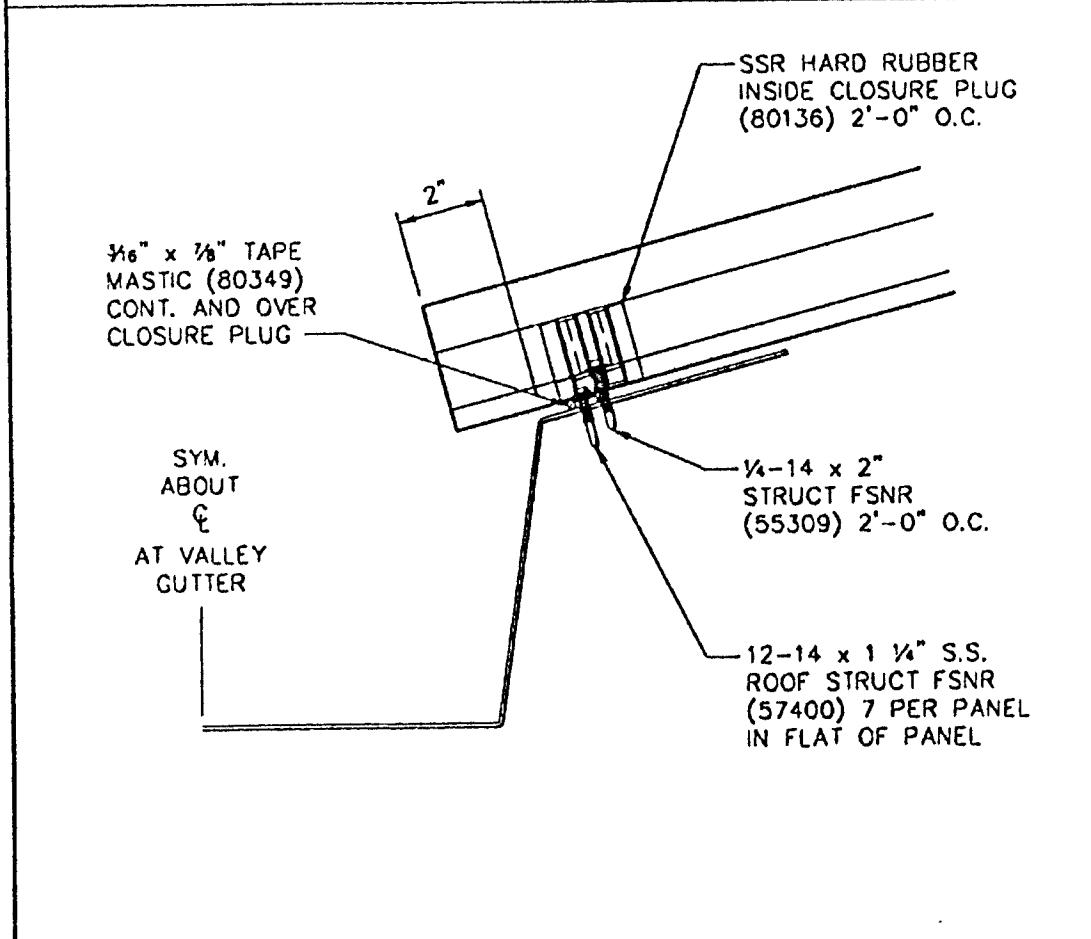
SSR RIDGE COVER ATTACHMENT RC34A1
RC34A1V2 R 03/01/90



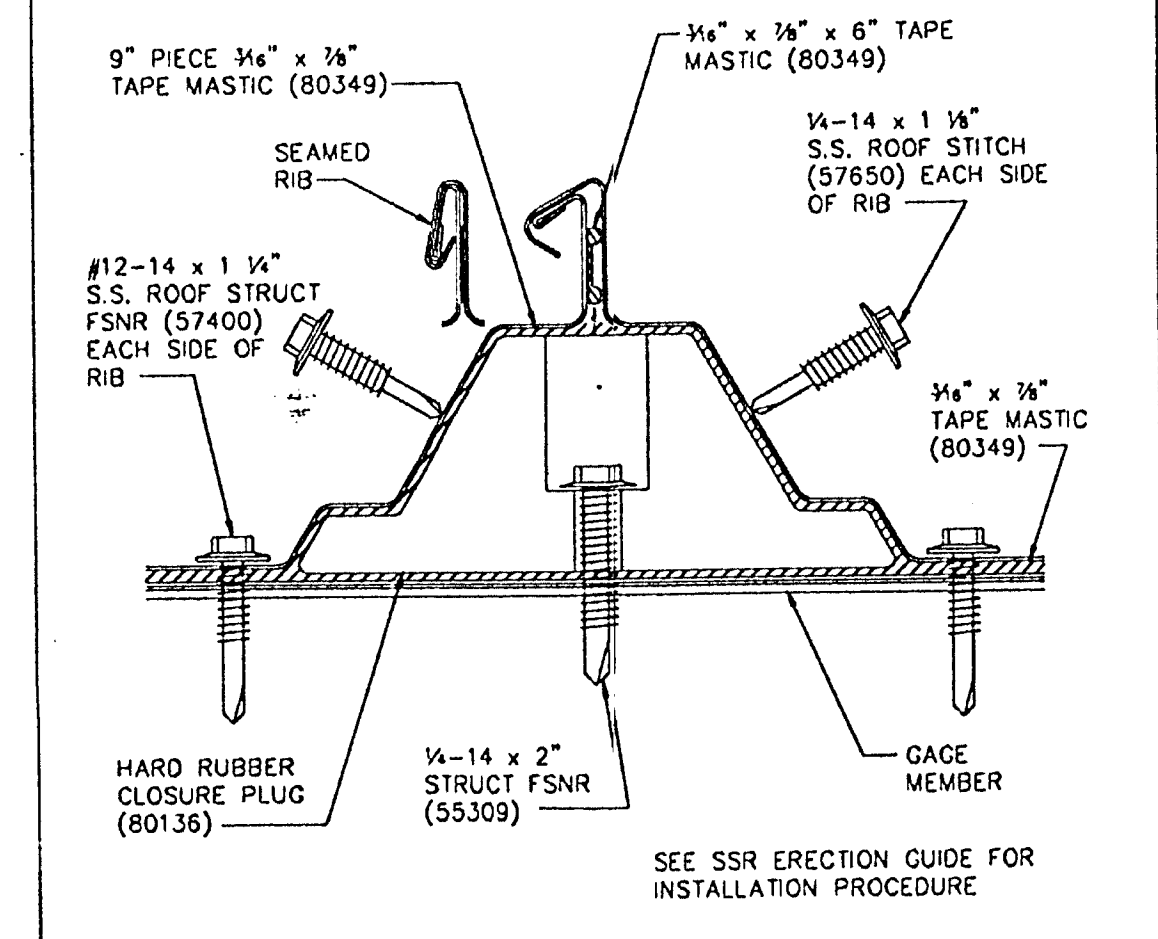
SSR RIDGE FLASHING RC34A4
FASTENER AND MASTIC PATTERN
RC34A4V1 03/01/90



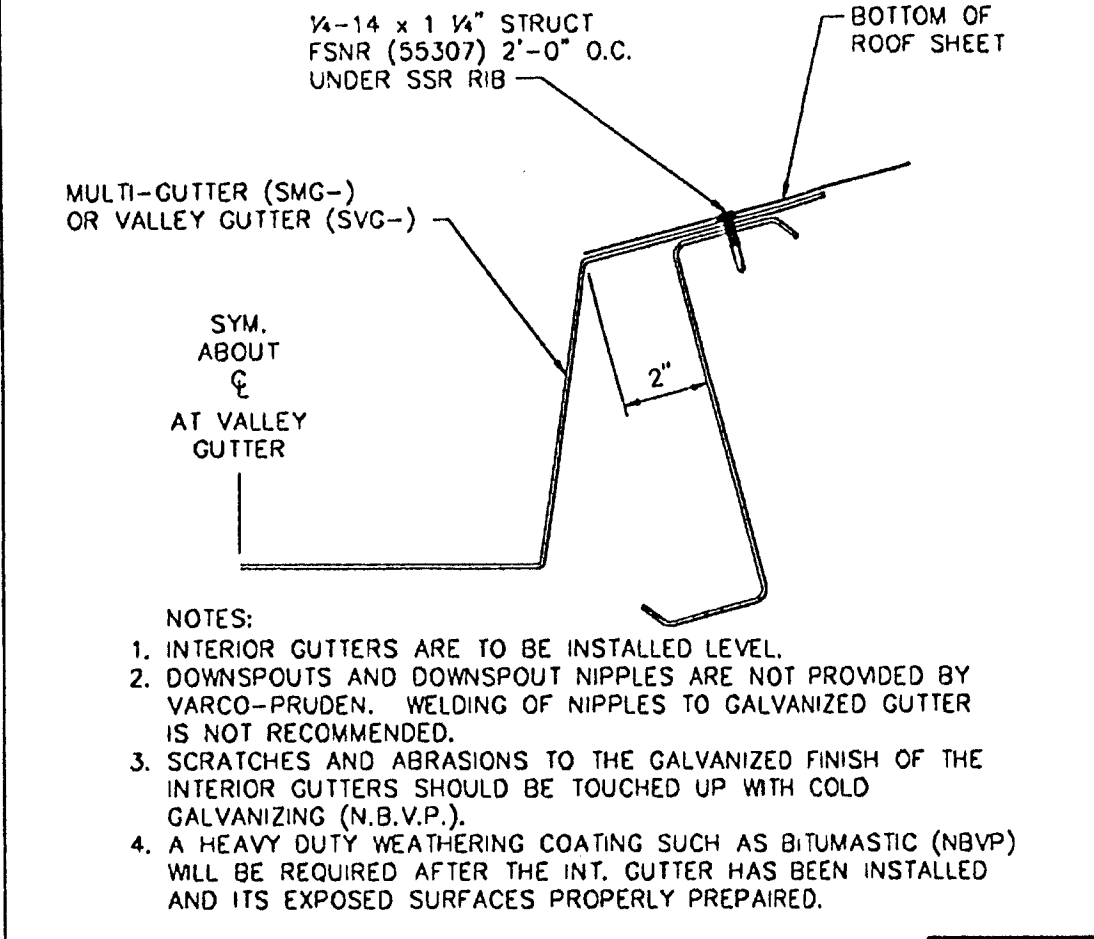
SSR OR SLR INTERIOR GUTTER RC40A5
MULTI-GUTTER SPLICE
RC40A5V2 10/01/98



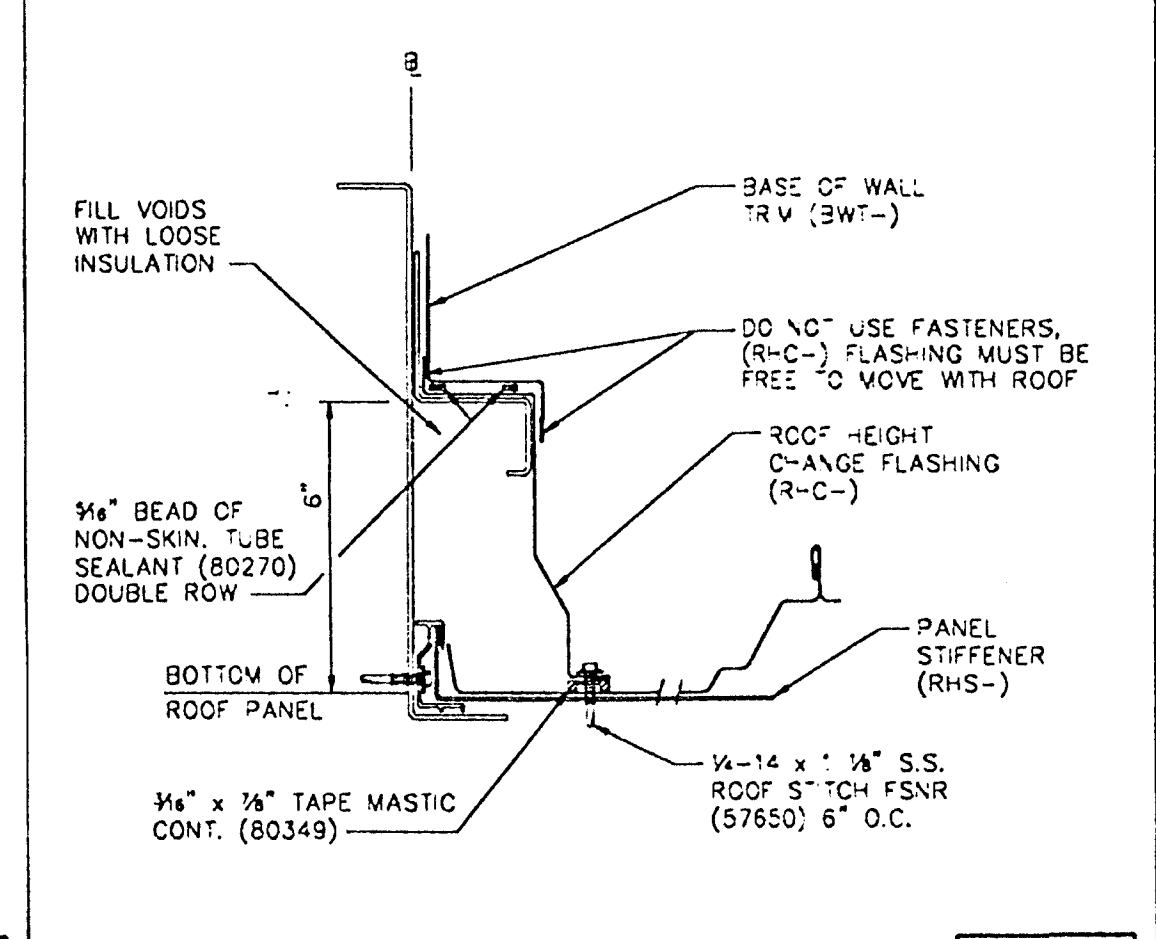
SSR INTERIOR GUTTER RC42A1
PANEL ATTACHMENT; LESS THAN 25 PSF L.L.
RC42A1V3 R 07/01/92



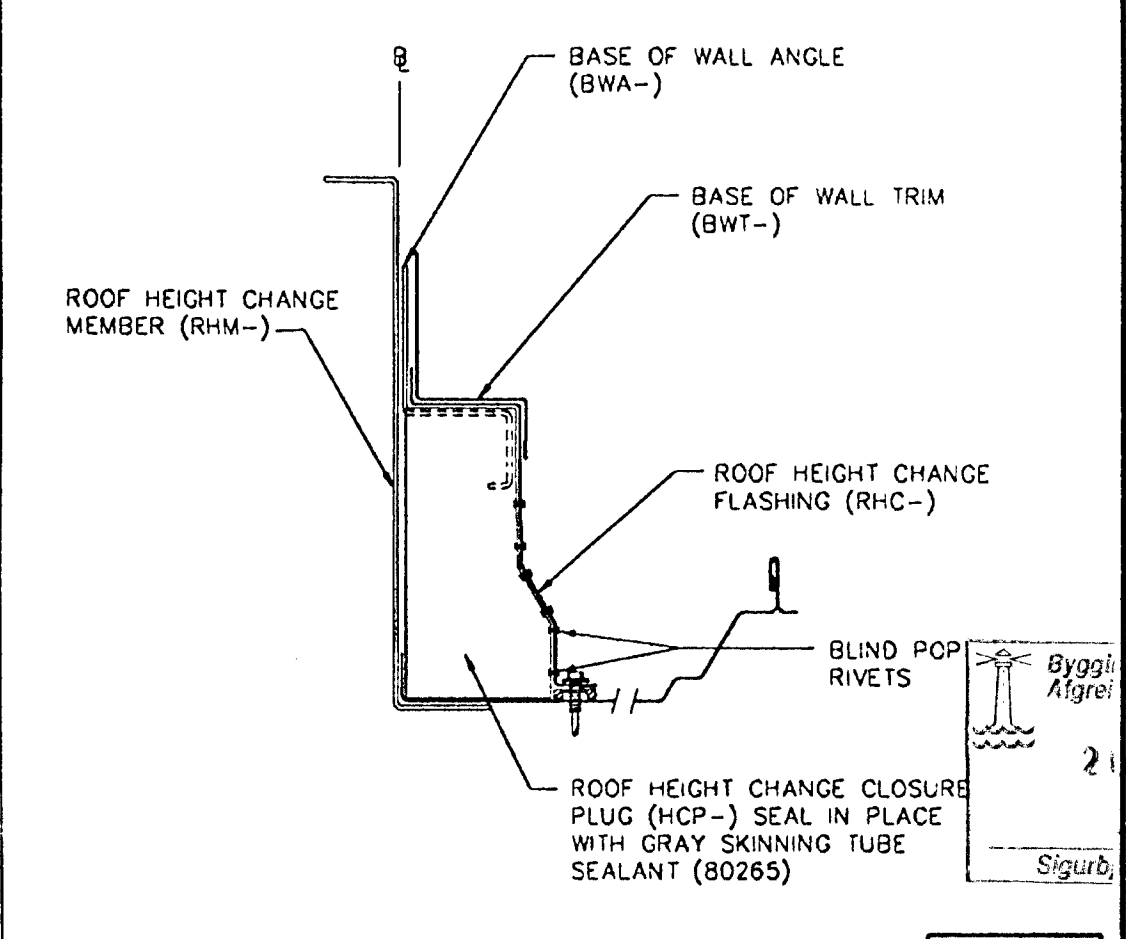
SSR HARD RUBBER CLOSURE PLUG RC42A3
RC42A3V2 R 07/01/92



SSR INTERIOR GUTTER RC43A1
BLANKET INSULATION ON PURLINS
RC43A1V3 R 03/15/91



ROOF HEIGHT CHANGE FLASHING RC52A1
SSR ROOF (METAL FLASHING)
RC52A1V1 03/01/90



ROOF HEIGHT CHANGE END CAP RC52A6
SSR ROOF AT EAVE (METAL FLASHING)
RC52A6V1 03/01/90

Verkfæðistofa Norðurlands ehf.
Hofsbót 4 600 Akureyri. kt. 560175-0869
Eiríkur Jónsson byggingaverkfr.
kt. 051045-4679

THIS DRAWING, INCLUDING THE INFORMATION HEREON, REMAINS THE PROPERTY OF VP BUILDINGS, INC.
IT IS PROVIDED FOR ERECTING THE BUILDING DESCRIBED IN THE APPLICABLE PURCHASE ORDER AND SHALL NOT BE MODIFIED, REPRODUCED, OR USED FOR ANY OTHER PURPOSE WITHOUT PRIOR WRITTEN APPROVAL OF VP BUILDINGS.
THE GENERAL CONTRACTOR AND/OR ERECTOR IS SOLELY RESPONSIBLE FOR ACCURATE, GOOD QUALITY, WORKMANSHIP IN ERECTING THIS BUILDING IN CONFORMANCE WITH THIS DRAWING. DETAILS REFERENCED IN THIS DRAWING, ALL APPLICABLE VP ERECTION DETAILS AND ALL INDUSTRY STANDARDS PERTAINING TO PROPER ERECTION, INCLUDING THE CORRECT USE OF TEMPORARY BRACING.

ERECTION DETAILS				
REV	DATE	BY	DESC	BUILDER
				Varco-Pruden Exports
				CUSTOMER: Sindri
				LOCATION: Iceland
				PROJ. NAME: Sindri Workshop
				BLOG. NAME: workshop 1

JOB NO. HE9970314-01-0E-
DATE 08/16/99
DRAWN BY DHG
CHKD. BY
PG 03