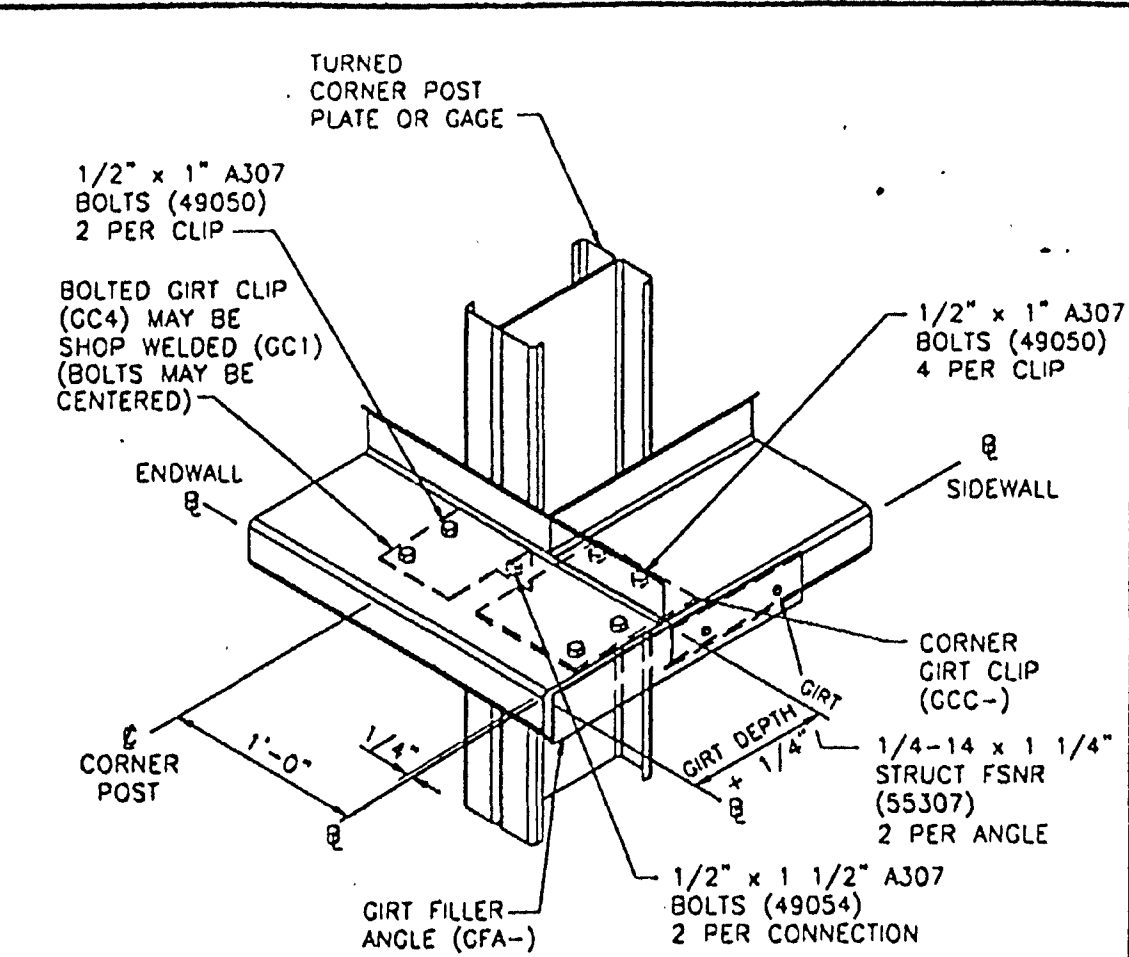
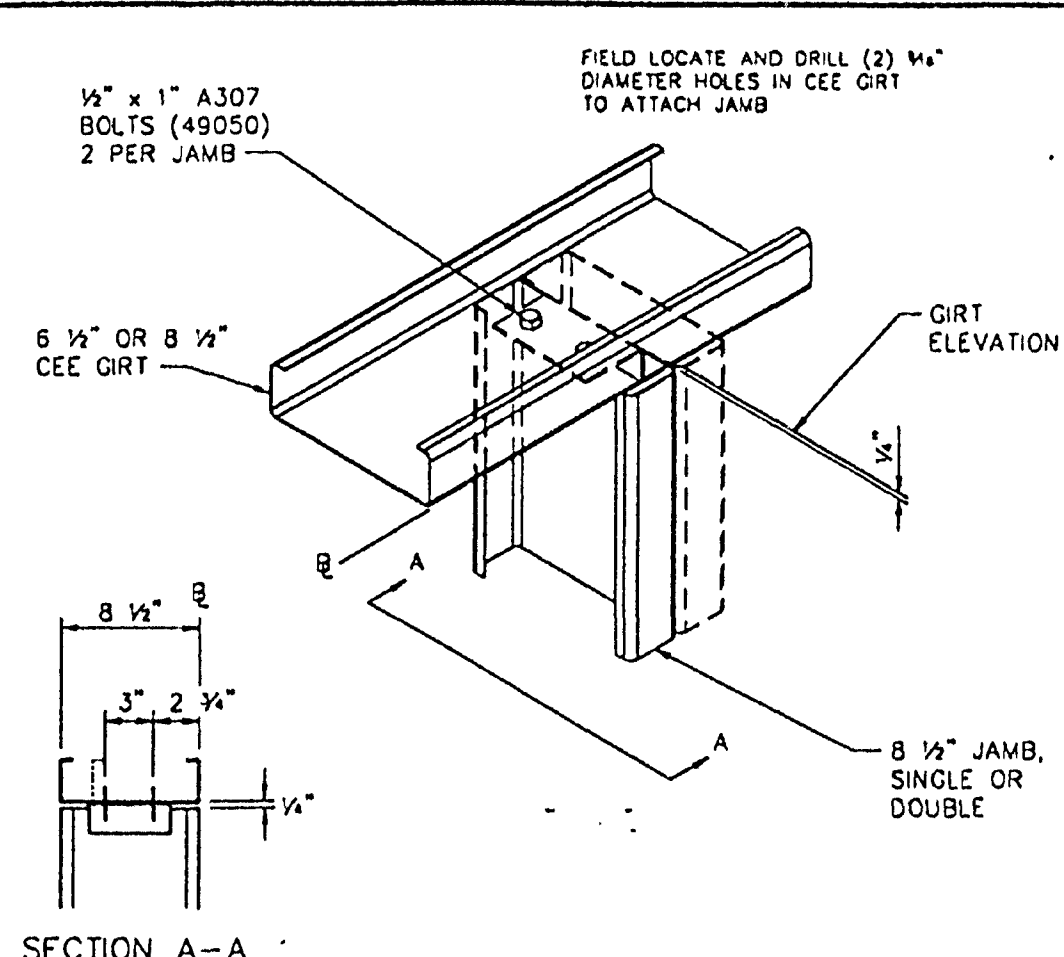


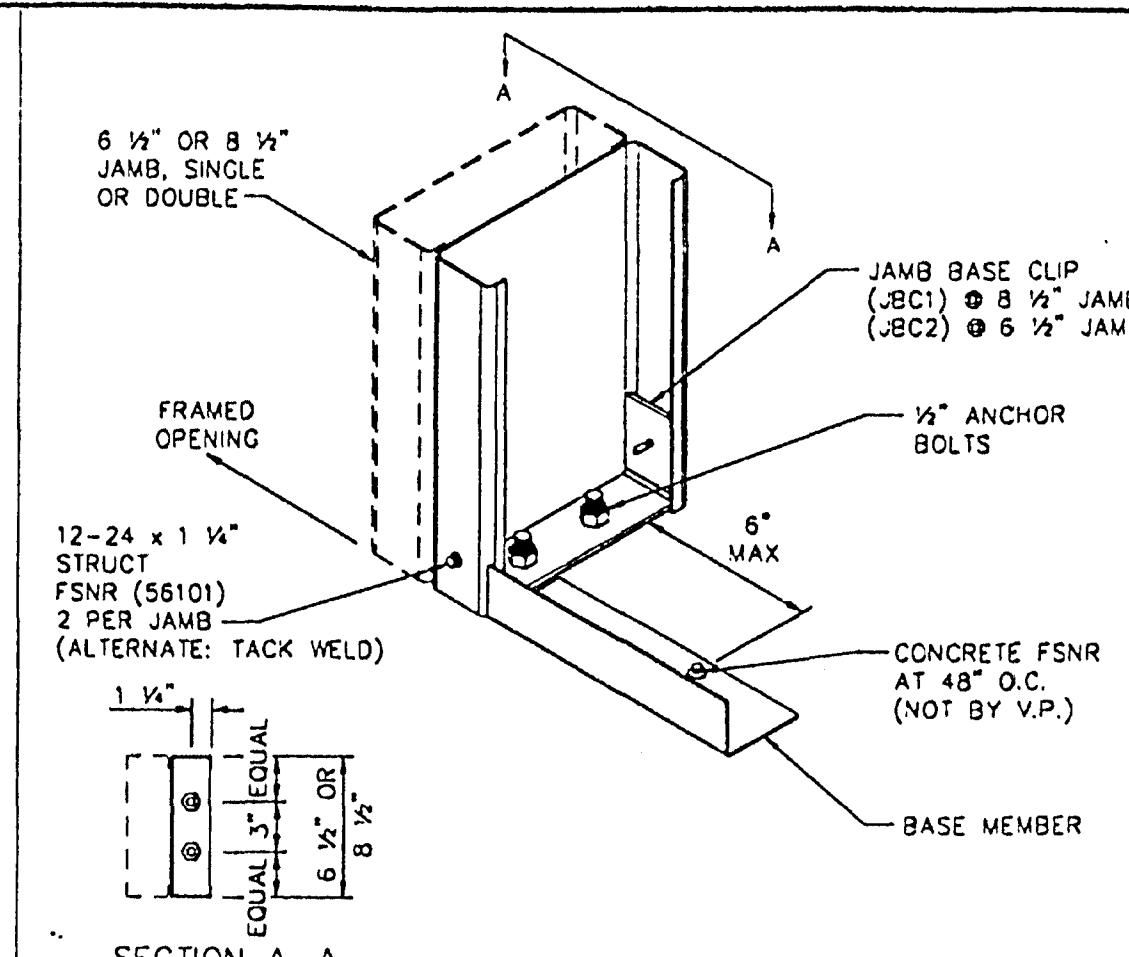
GIRT CONN. AT CORNER COLUMN WS12D2
 ANY OUTSET GIRT AT EW, ANY OUTSET GIRT AT SW
 WS12D2V4 R 07/10/93



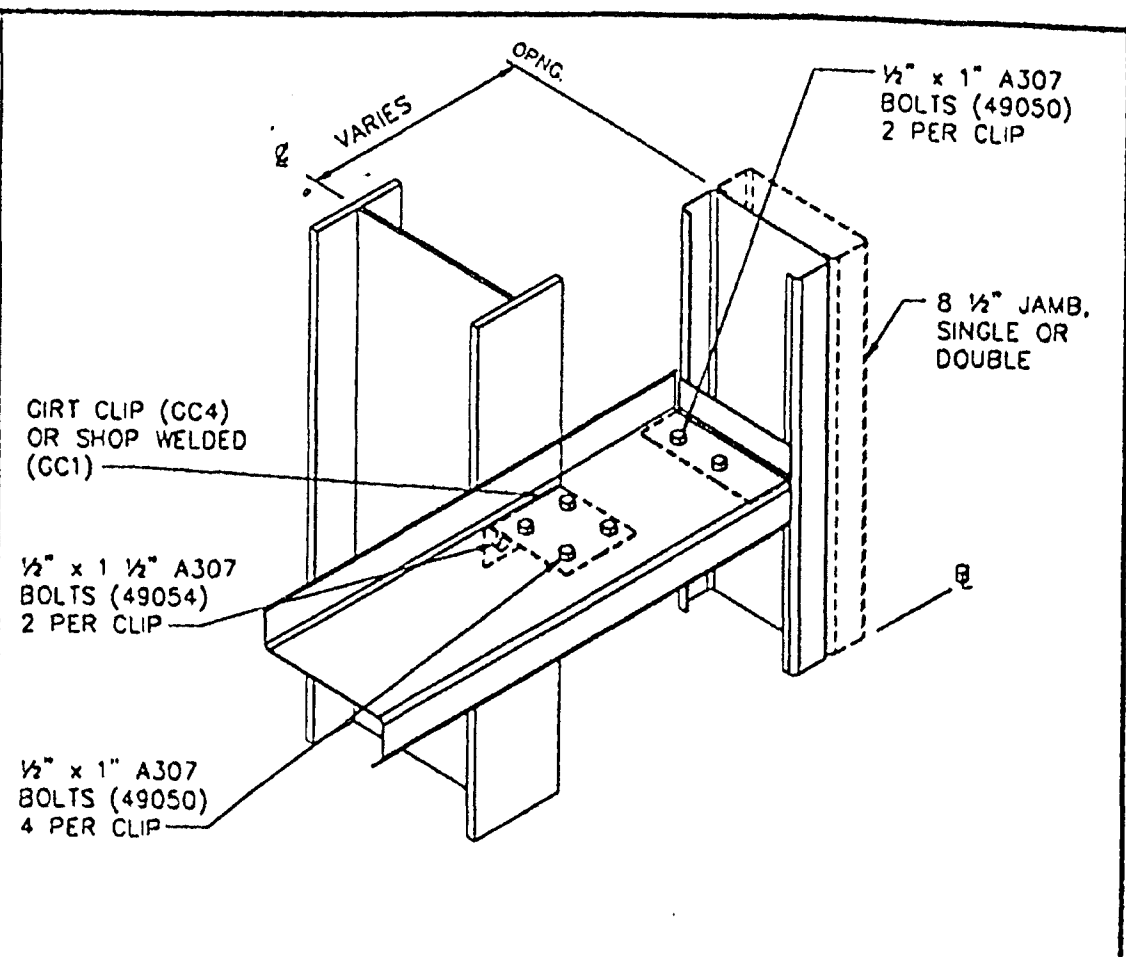
GIRT AT TURNED CORNER POST WS13B2
 ANY OUTSET GIRT AT EW, ANY GIRT AT SW
 WS13B2V2 R 03/04/98



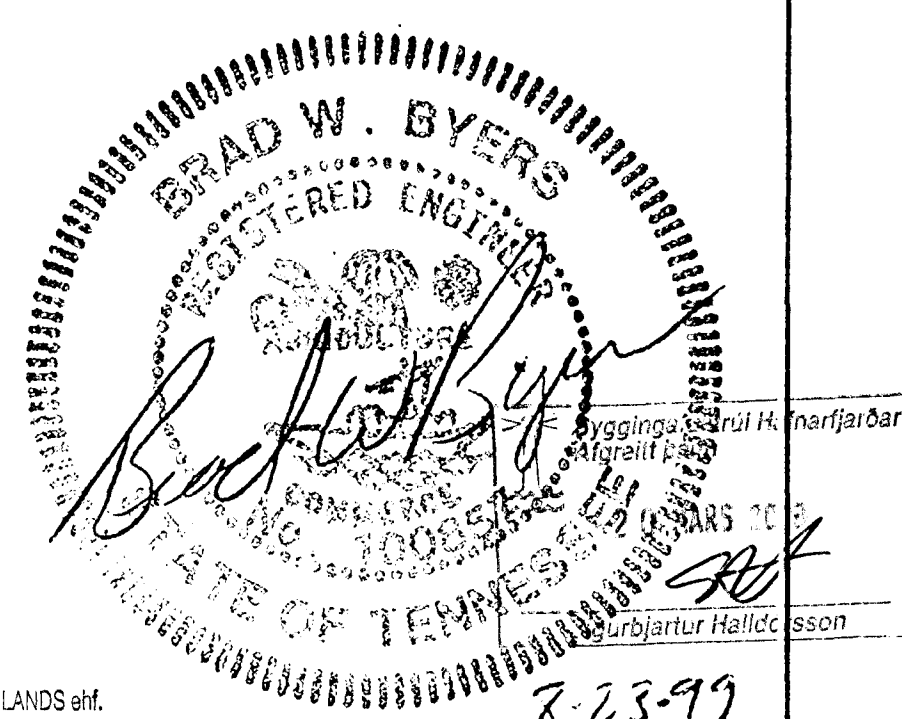
JAMB TO GIRT WS20A1
 8 1/2\"/>



JAMB BASE ATTACHMENT WS20A8
 6 1/2\"/>



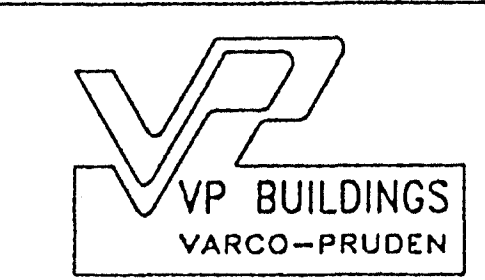
JAMB TO COLUMN CONNECTION WS21A4
 8 1/2\"/>



Verkfæðistofa Norðurlands ehf.
 Hofsbót 4 600 Akureyri. kt. 560175-0869
 Eiríkur Jónsson byggingaverkfr.
 kt. 051045-4679

THIS DRAWING, INCLUDING THE INFORMATION HEREON, REMAINS THE PROPERTY OF VP BUILDINGS, INC. IT IS PROVIDED FOR ERECTING THE BUILDING DESCRIBED IN THE APPLICABLE PURCHASE ORDER AND SHALL NOT BE MODIFIED, REPRODUCED, OR USED FOR ANY OTHER PURPOSE WITHOUT PRIOR WRITTEN APPROVAL OF VP BUILDINGS. THE GENERAL CONTRACTOR AND/OR ERECTOR IS SOLELY RESPONSIBLE FOR ACCURATE, GOOD QUALITY, WORKMANSHIP IN ERECTING THIS BUILDING IN CONFORMANCE WITH THIS DRAWING, DETAILS REFERENCED IN THIS DRAWING, ALL APPLICABLE VP ERECTION DETAILS AND ALL INDUSTRY STANDARDS PERTAINING TO PROPER ERECTION, INCLUDING THE CORRECT USE OF TEMPORARY BRACING.

ERECTION DETAILS			
REV	DATE	BY	DESC
			BUILDER Varco-Pruden Exports
			CUSTOMER Sindri
			LOCATION Iceland
			PROJ. NAME Sindri Workshop
			BLOG. NAME workshop 1



JOB NO. ME9970314-02-021
DATE 08/16/99
DRAWN BY DHG
CHKD. BY
P 24/L