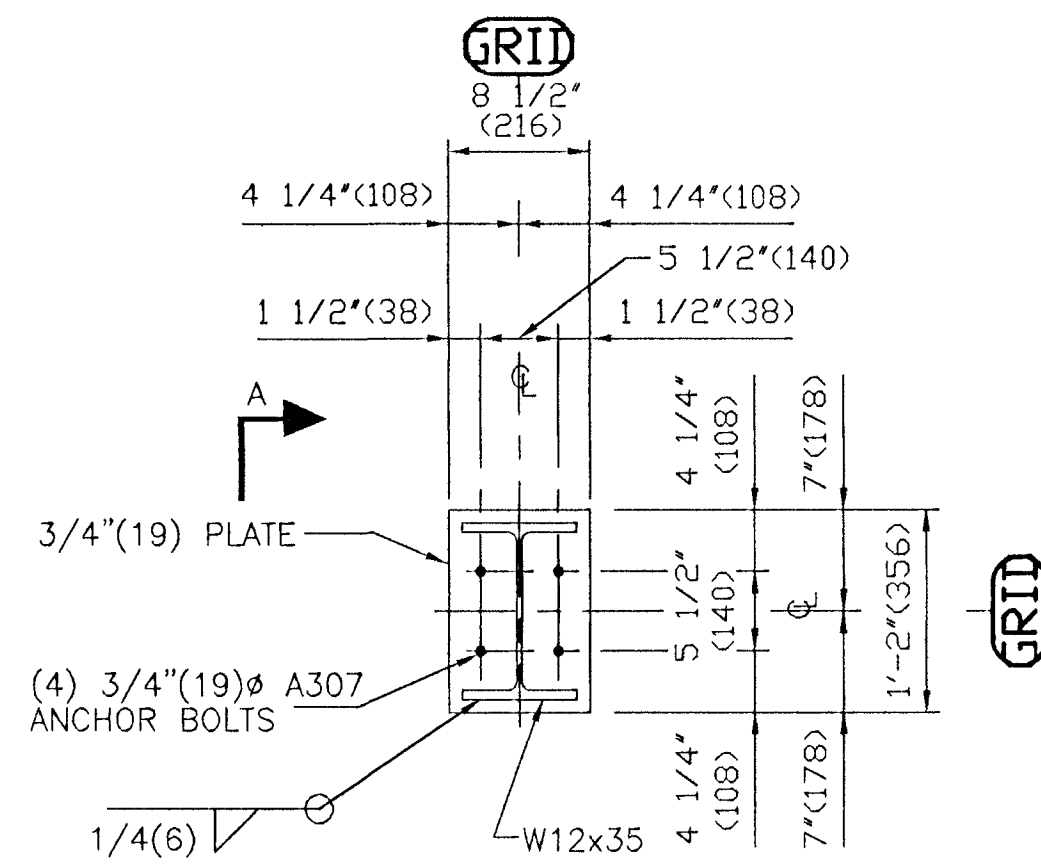


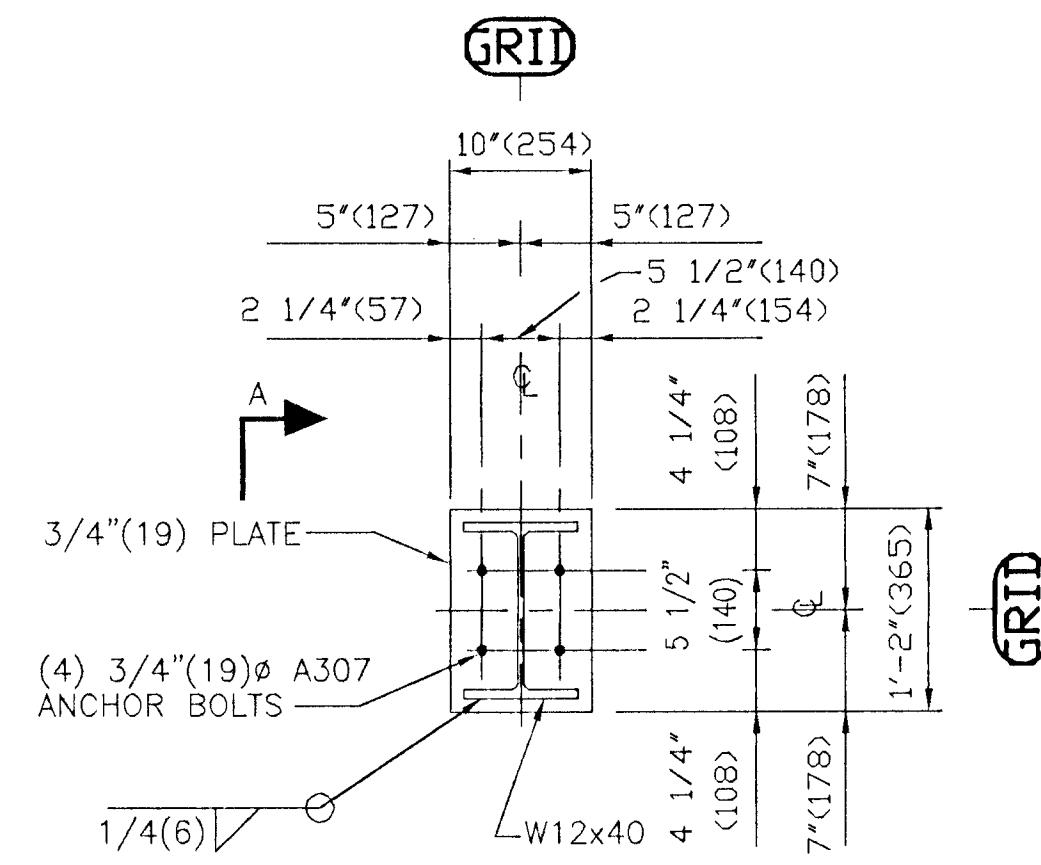
DETAIL A1

(SEE PLAN FOR COLUMN ORIENTATION)



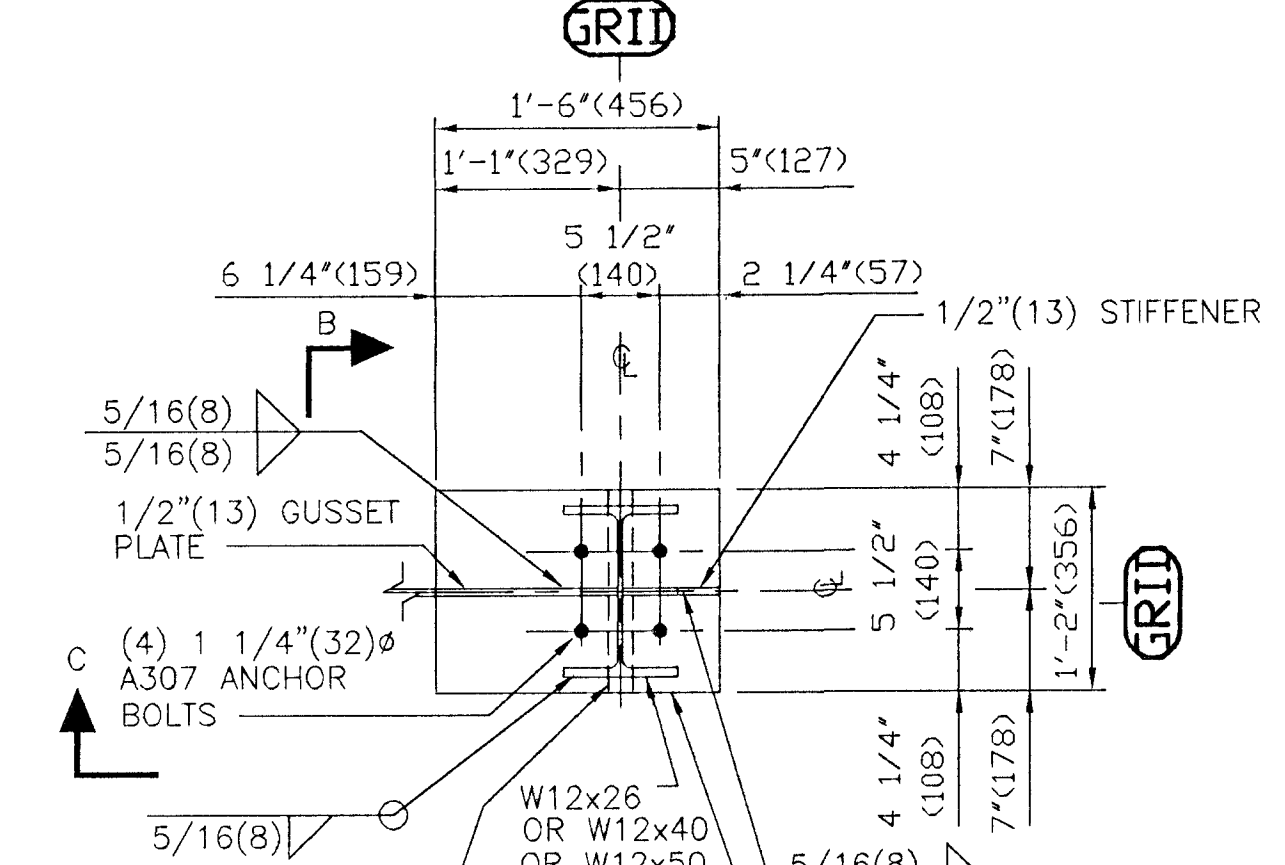
DETAIL A2

(SEE PLAN FOR COLUMN ORIENTATION)



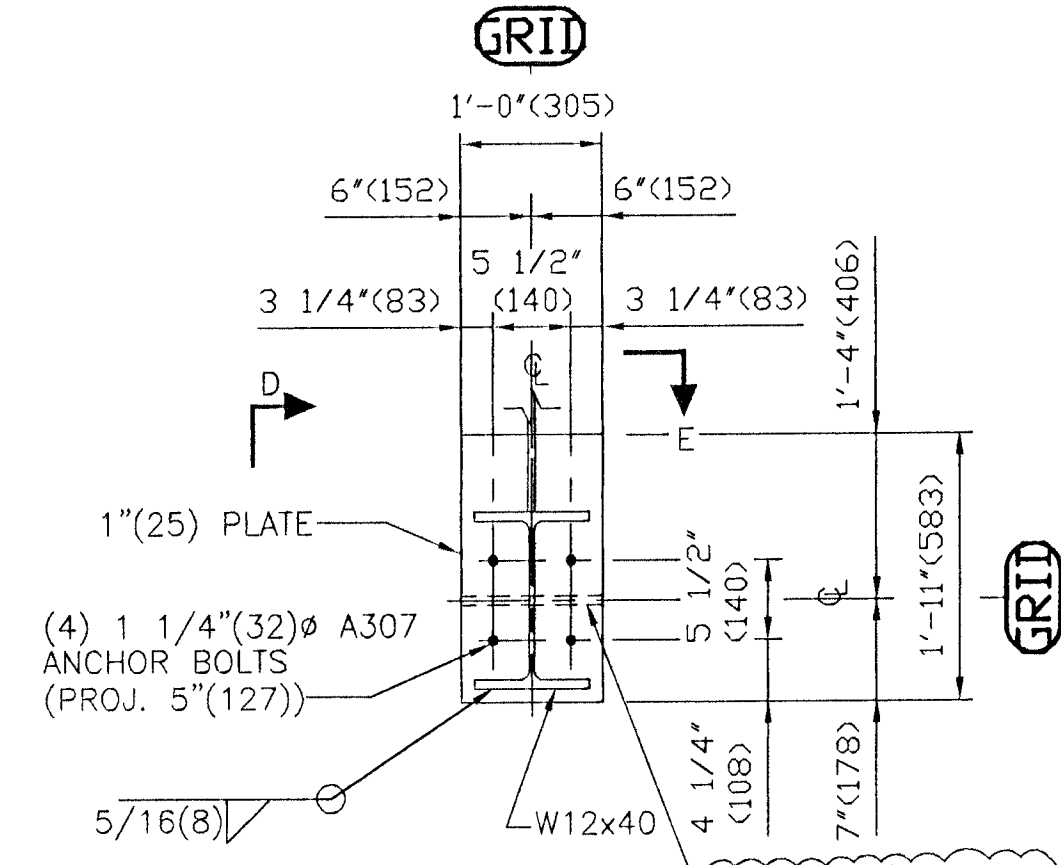
DETAIL A3

(SEE PLAN FOR COLUMN ORIENTATION)



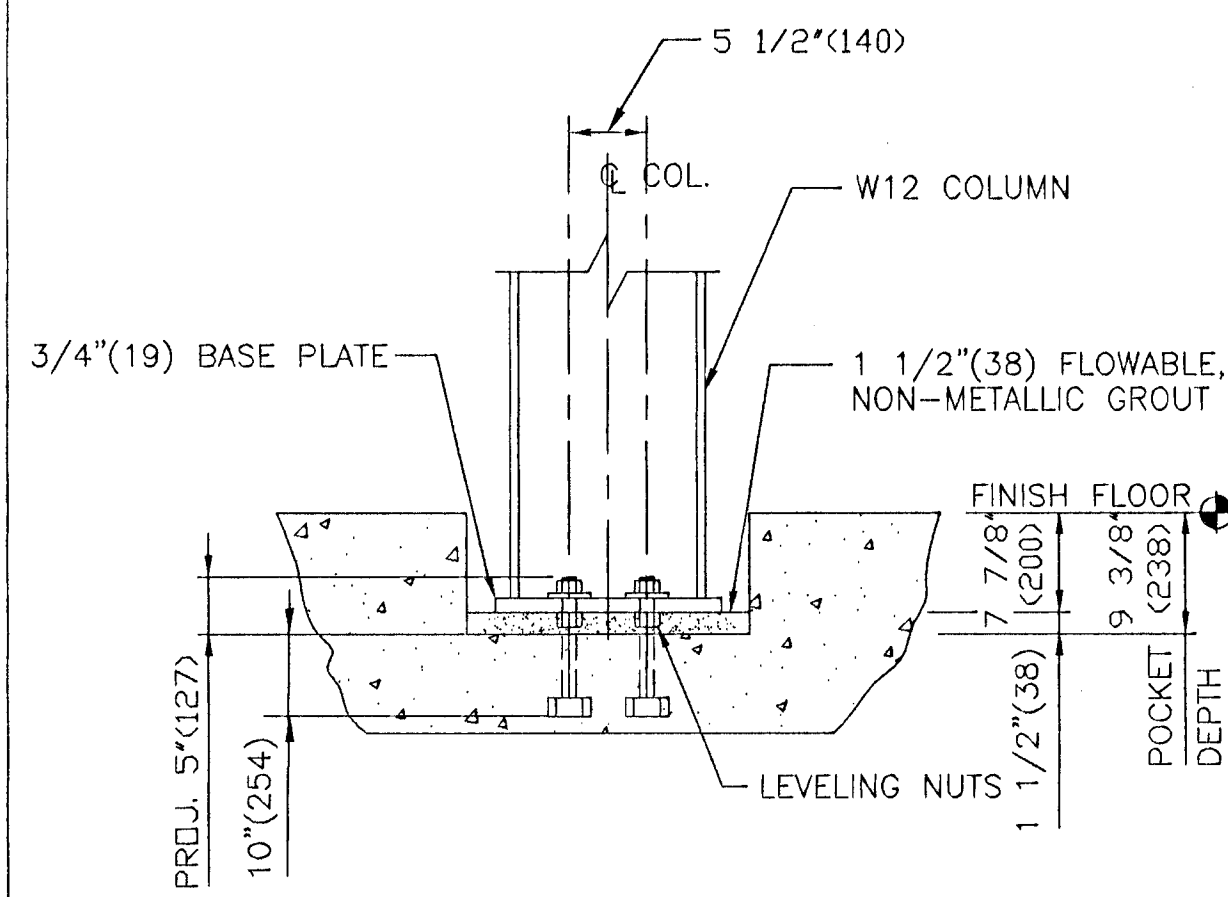
DETAIL A4

(SEE PLAN FOR COLUMN ORIENTATION)

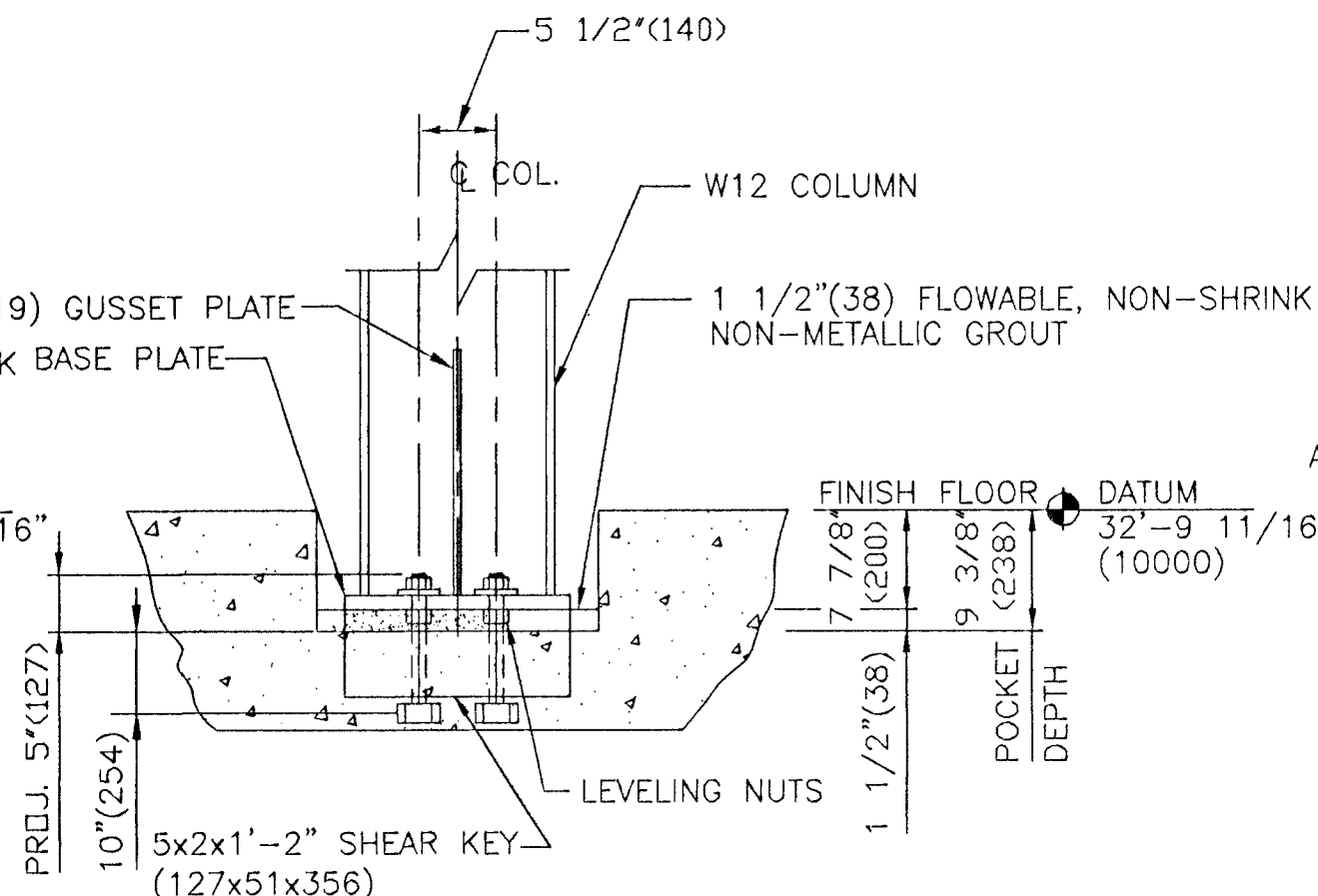


DETAIL A5

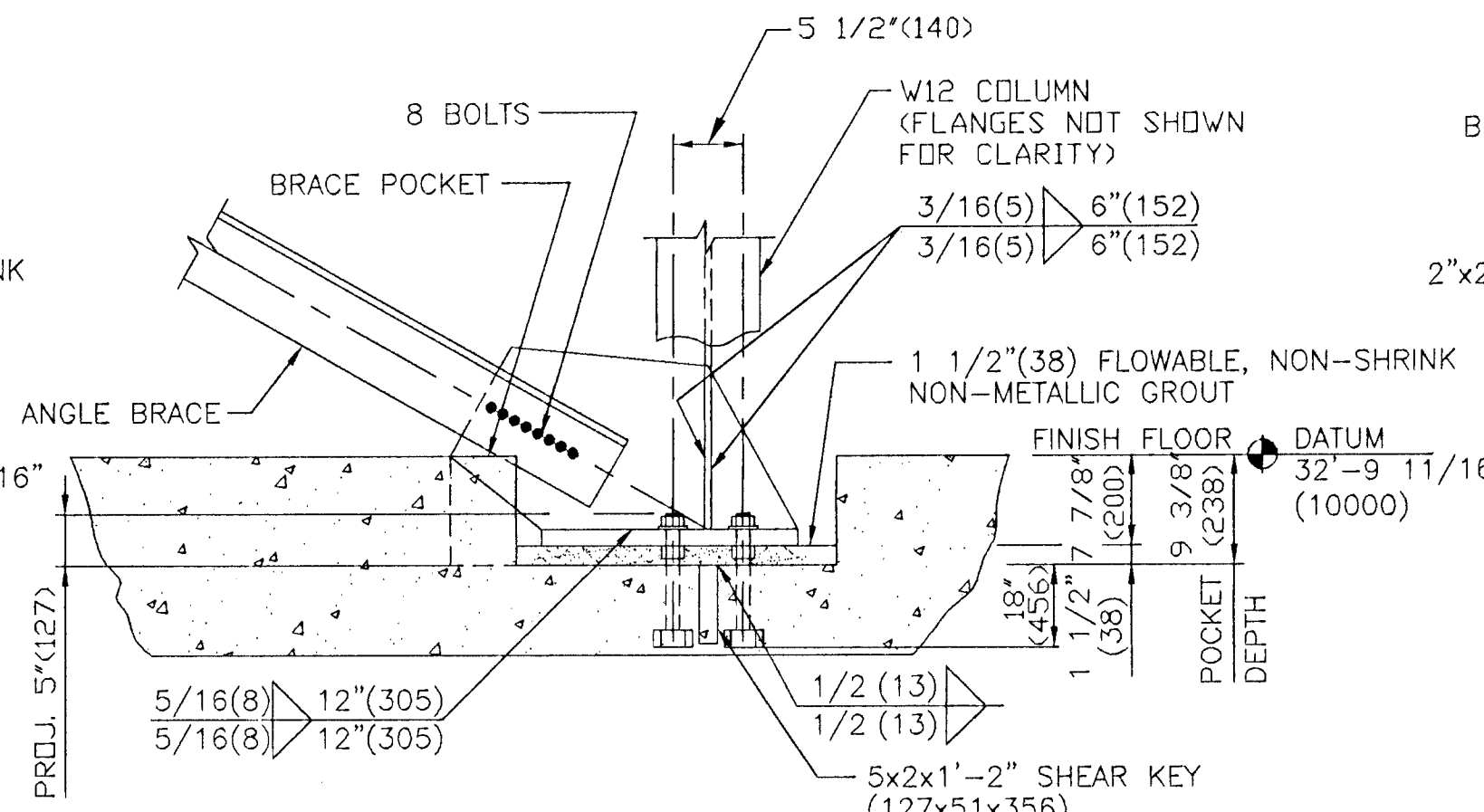
(SEE PLAN FOR COLUMN ORIENTATION)



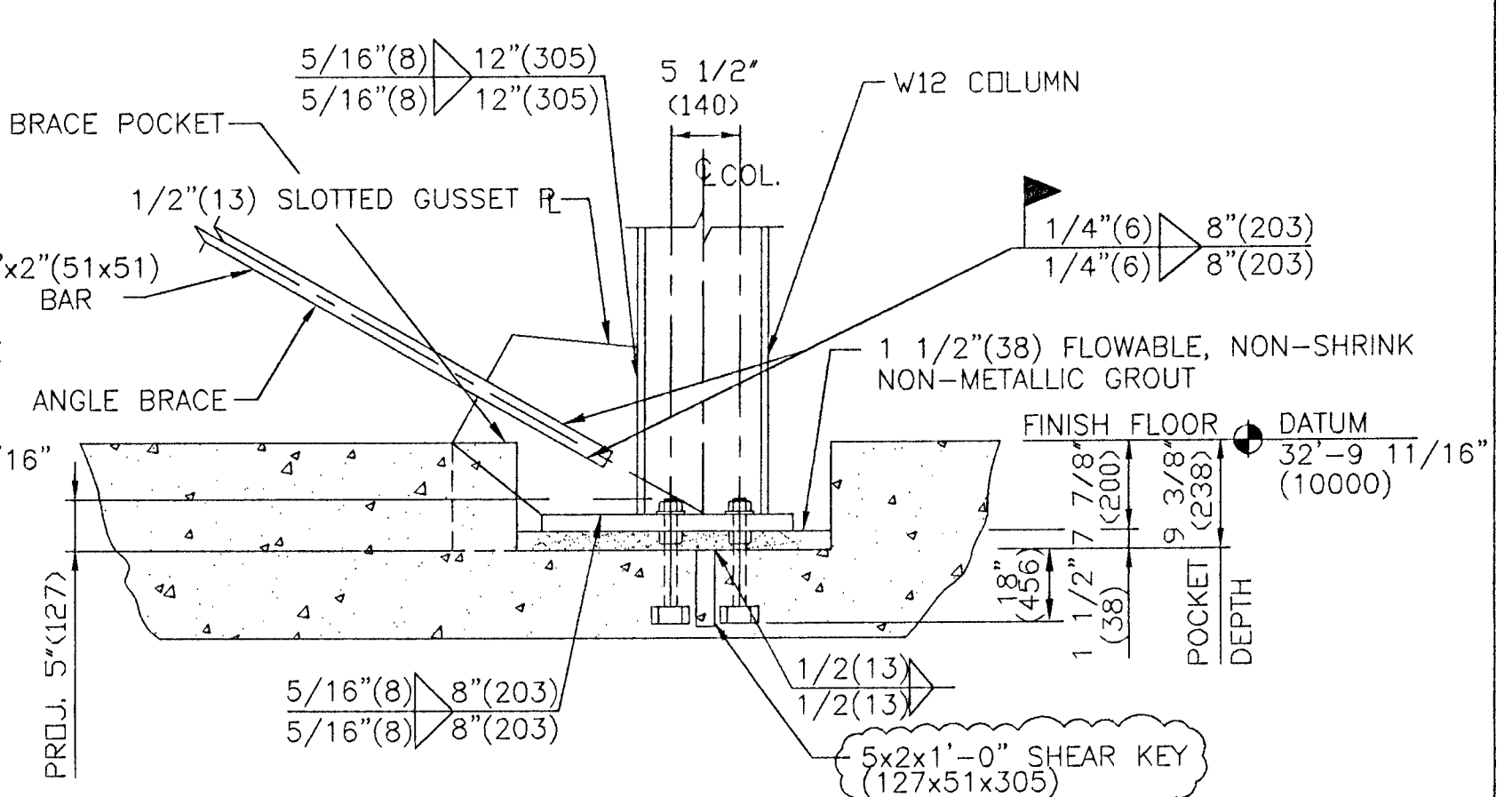
SECTION A



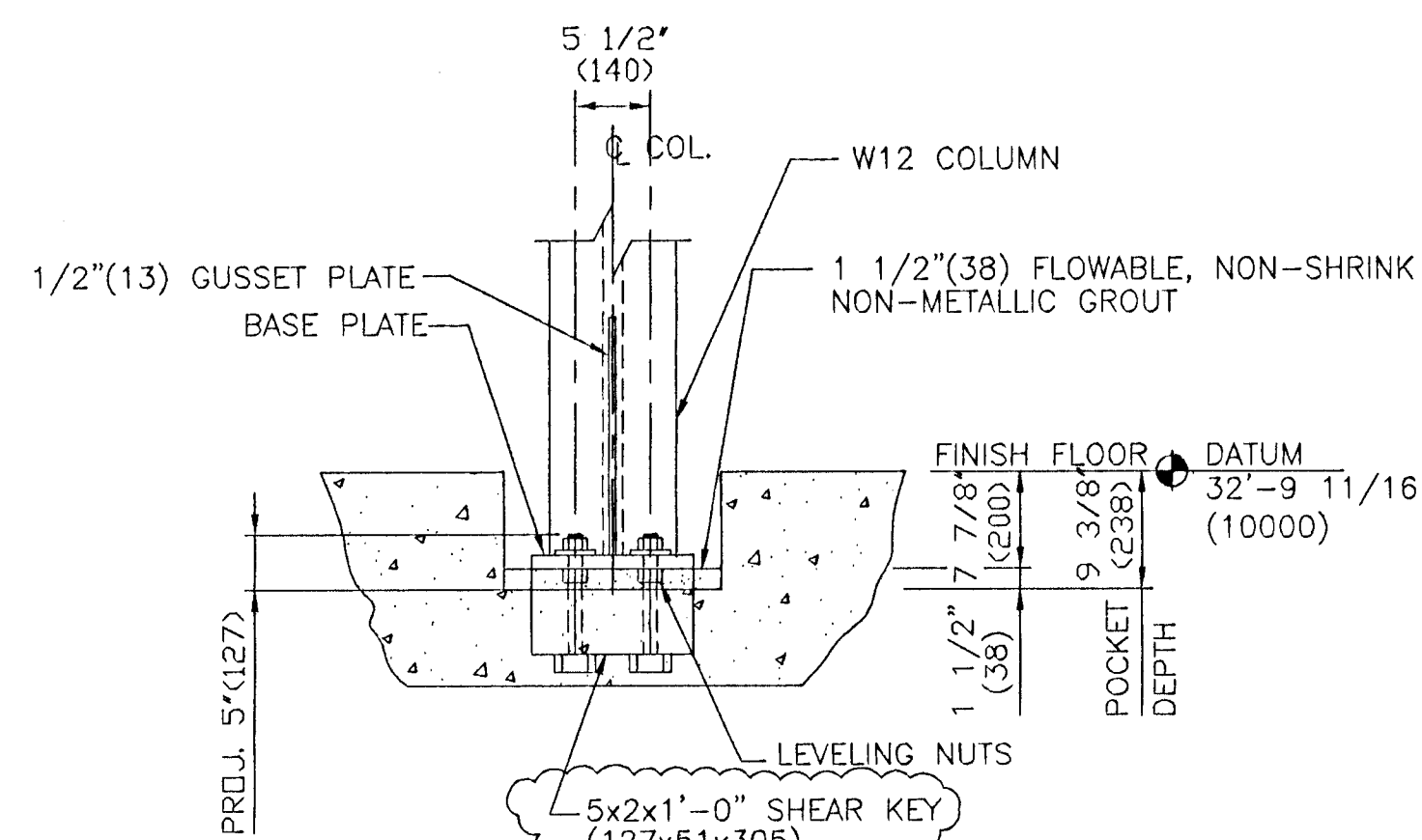
SECTION B



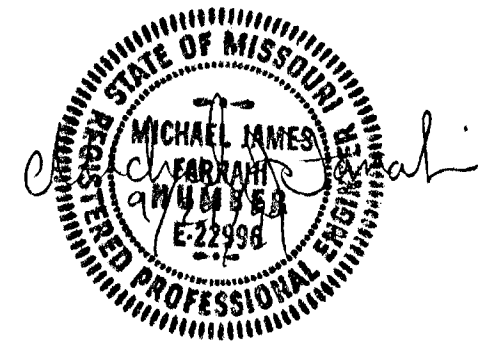
SECTION C



SECTION D




SECTION E



Samþykkt sbr skýrslu til RB dags 27.01.2000
 Verkfæðistofa Norðurlands ehf.
 Hofsbót 4, Akureyri. Kt. 560175-0800
 Eiríkur Jónsson byggingaverkfr. 70
 Kt.051045-4679

NOTES:
 1. SEE SHEET S0.1 FOR GENERAL STRUCTURAL NOTES.
 2. DIMENSIONS IN PARENTHESIS ARE THE EQUIVALENT IN mm.



Constructive Engineering Design Inc.
 Consulting Structural Engineers
 222 W. Gregory Blvd., Suite 340
 Kansas City, Missouri 64114-1127

Building Code:	86MBMA
Live Ld(W/D Trib Red):	205 kgs/m
Coll. Ld (gravity):	24.4 kgs/m
Coll. Ld (uplift):	0.0 kgs/m
Wind Speed:	193 kmph
Wind Exp. Cat.:	C
Ground Snow:	178.6 kgs/m
Roof Snow:	100.0 kgs/m
Snow Exp. Cat.:	3
Sismic Zone:	3
Building Use Cat.:	4
Auxiliary Loads:	NDNE

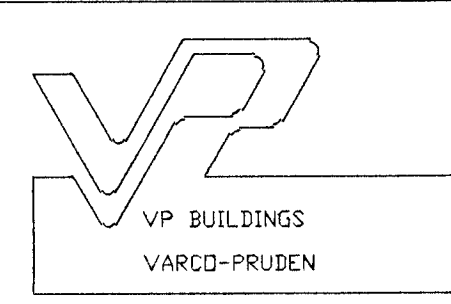
This Drawing, including the information hereon, remains the property of VP Buildings.
 It is provided for Erecting the Building described in the applicable Purchase Order and shall not be modified, reproduced or used for any other purpose without prior Written Approval of VP Buildings.
 The General Contractor and/or Erector is solely responsible for accurate, good quality workmanship in erecting this Building in conformance with this Drawing, all applicable VP Buildings Erection Details and all industry standards pertaining to proper erection, including the correct use of temporary bracing.

REV	DATE	BY	DESC.	BUILDER
1	9/1	ME	CLOUDED	International Client
2	9/8	ME	DETAIL A5	Sindri

ANCHOR BOLT & BASE PLATE DETAILS

INTERNATIONAL CLIENT
 CUSTOMER: Sindri
 LOCATION: Reykjavik, Iceland
 PROJECT: Sindri Workshop
 BUILDING: Office

QUOTE #



VP BUILDINGS
 VARCO-PRUBEN

JOB # P9924127
 DATE 07/20/99
 TIME XX:XX
 DRAW/CHECK CW/ME
 PAGE S1.2