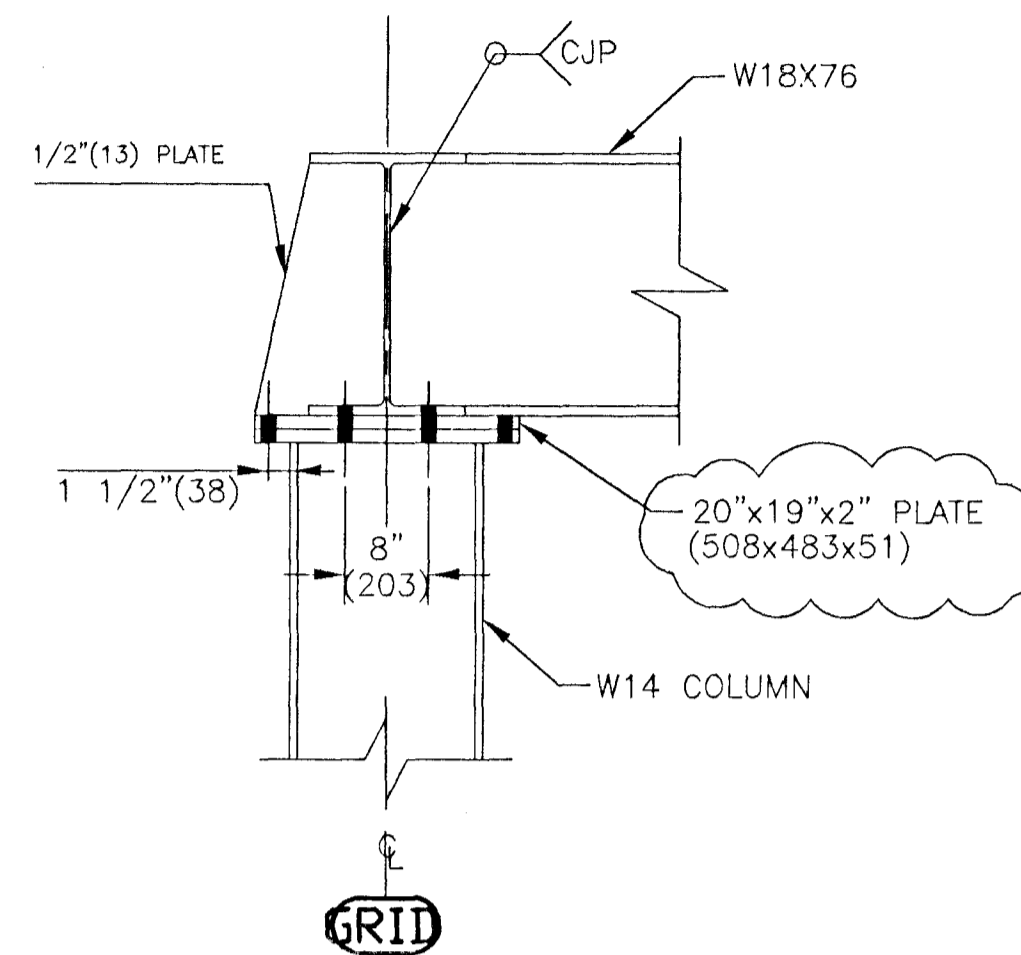
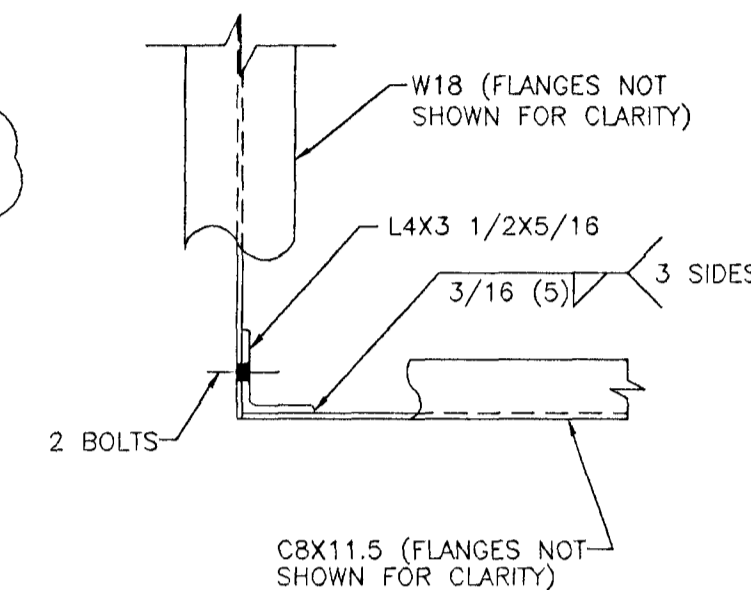


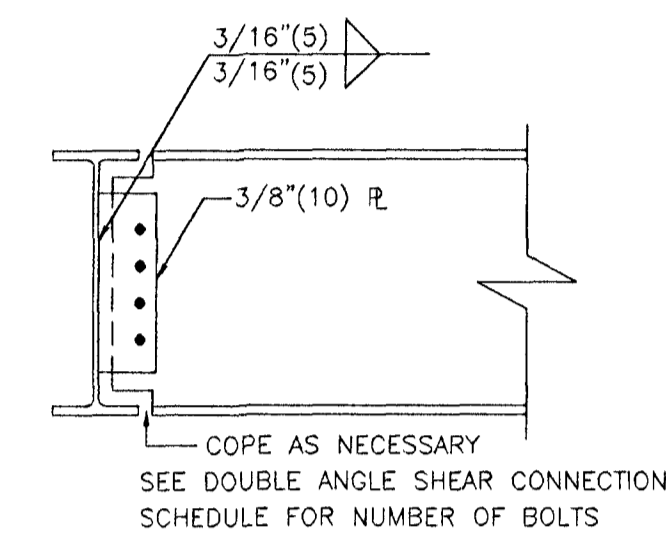
DETAIL 1



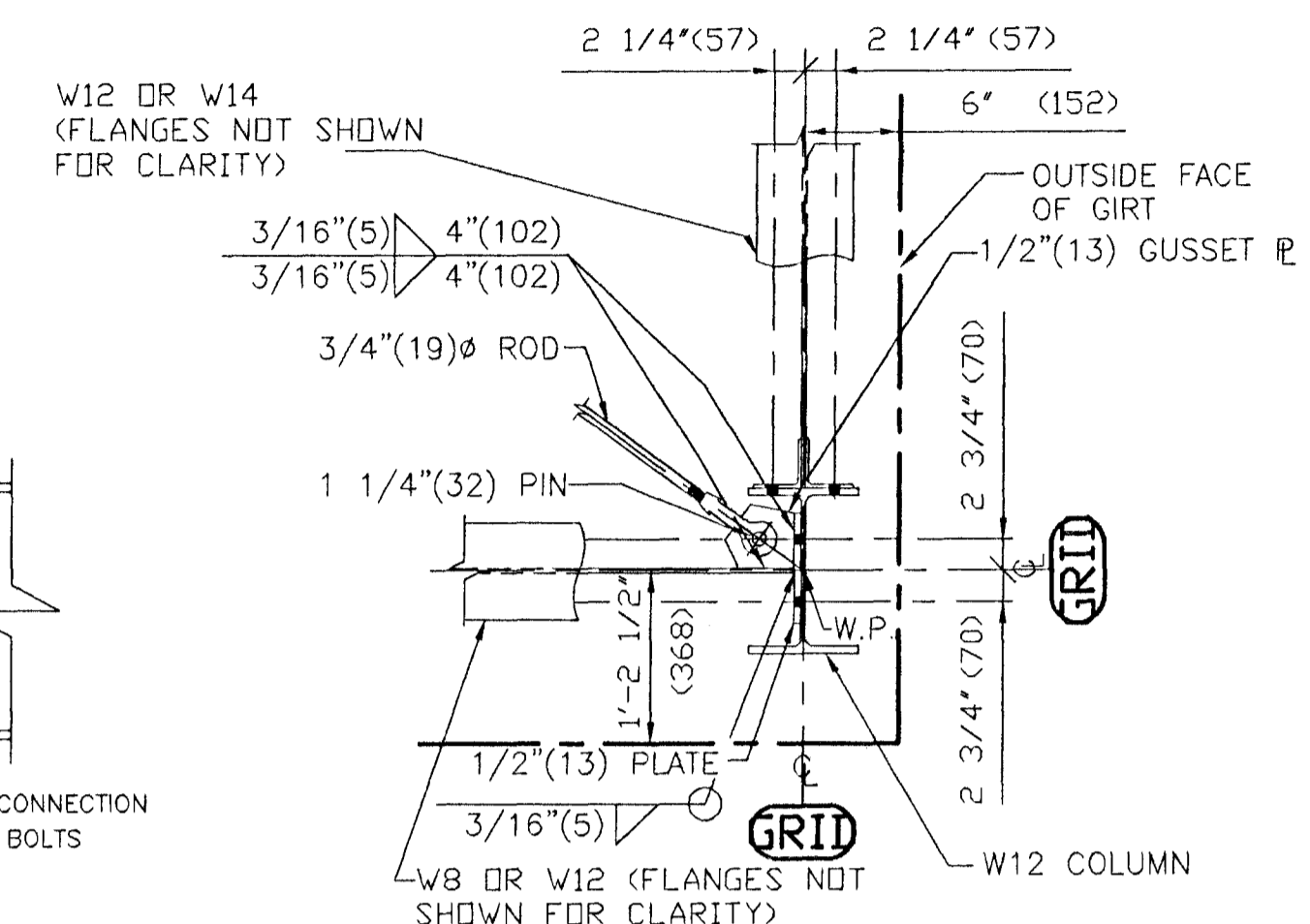
SECTION A-A



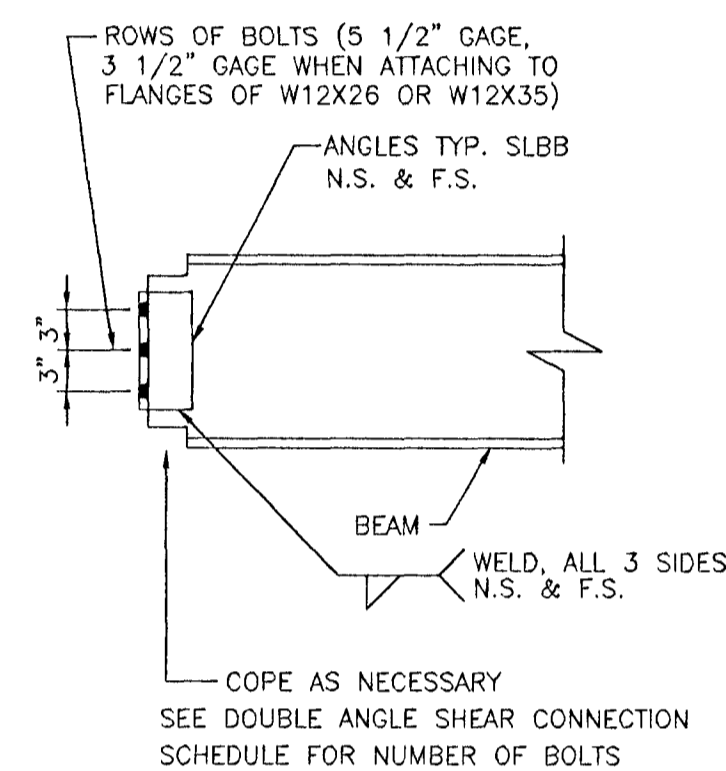
DETAIL 2



DETAIL 3



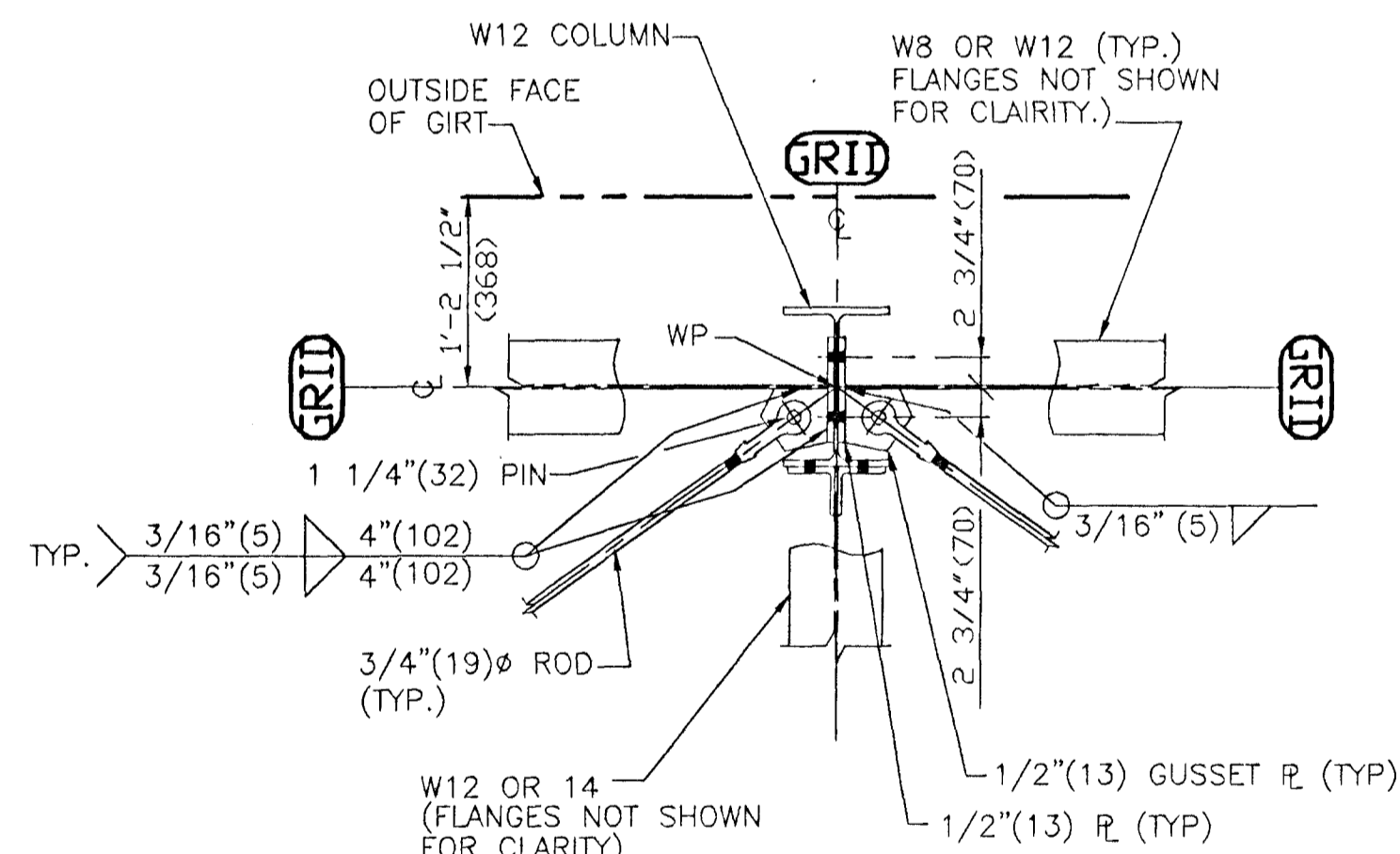
DETAIL 4



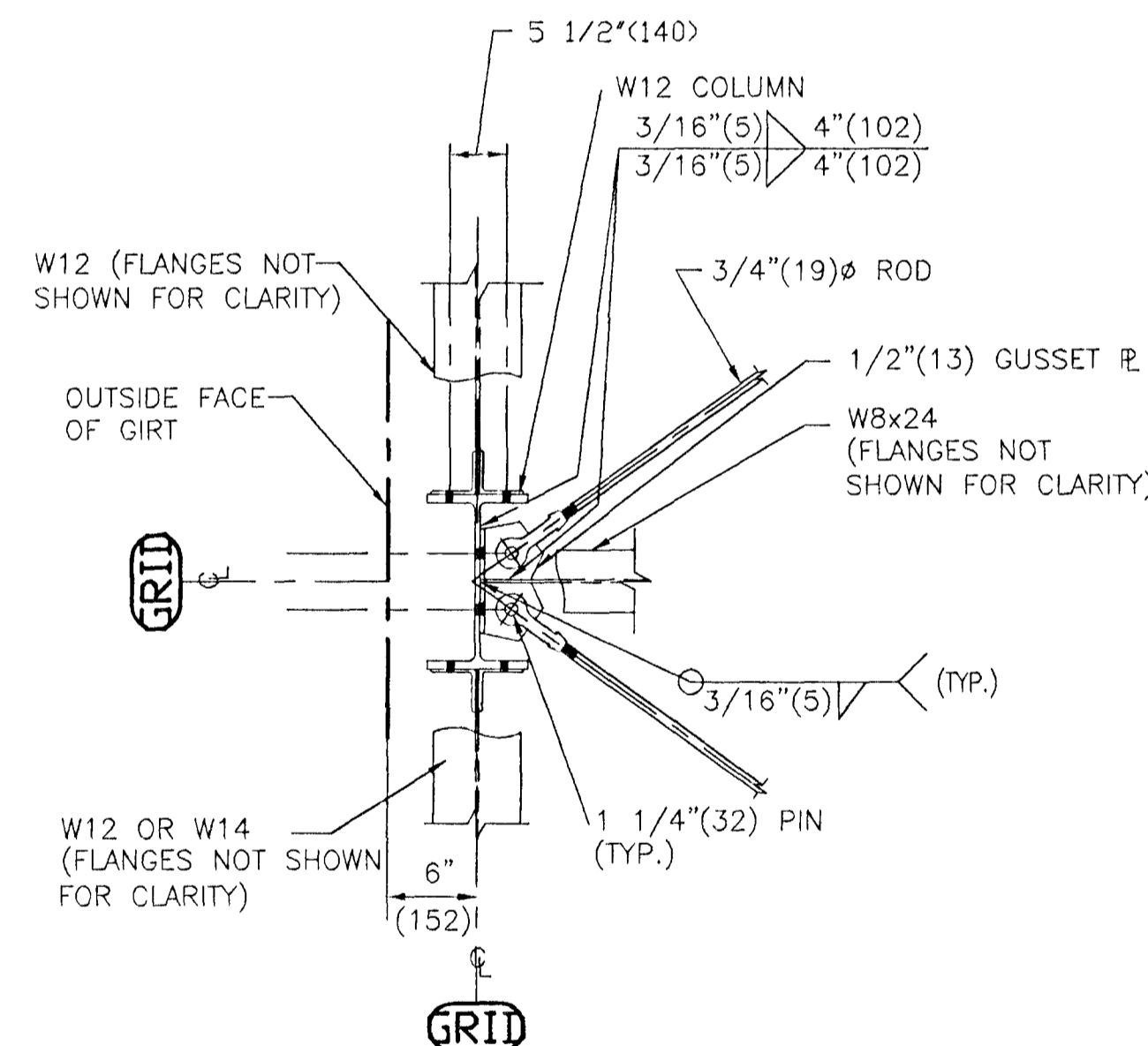
DOUBLE ANGLE SHEAR CONNECTION

DOUBLE ANGLE SHEAR CONNECTION SCHEDULE

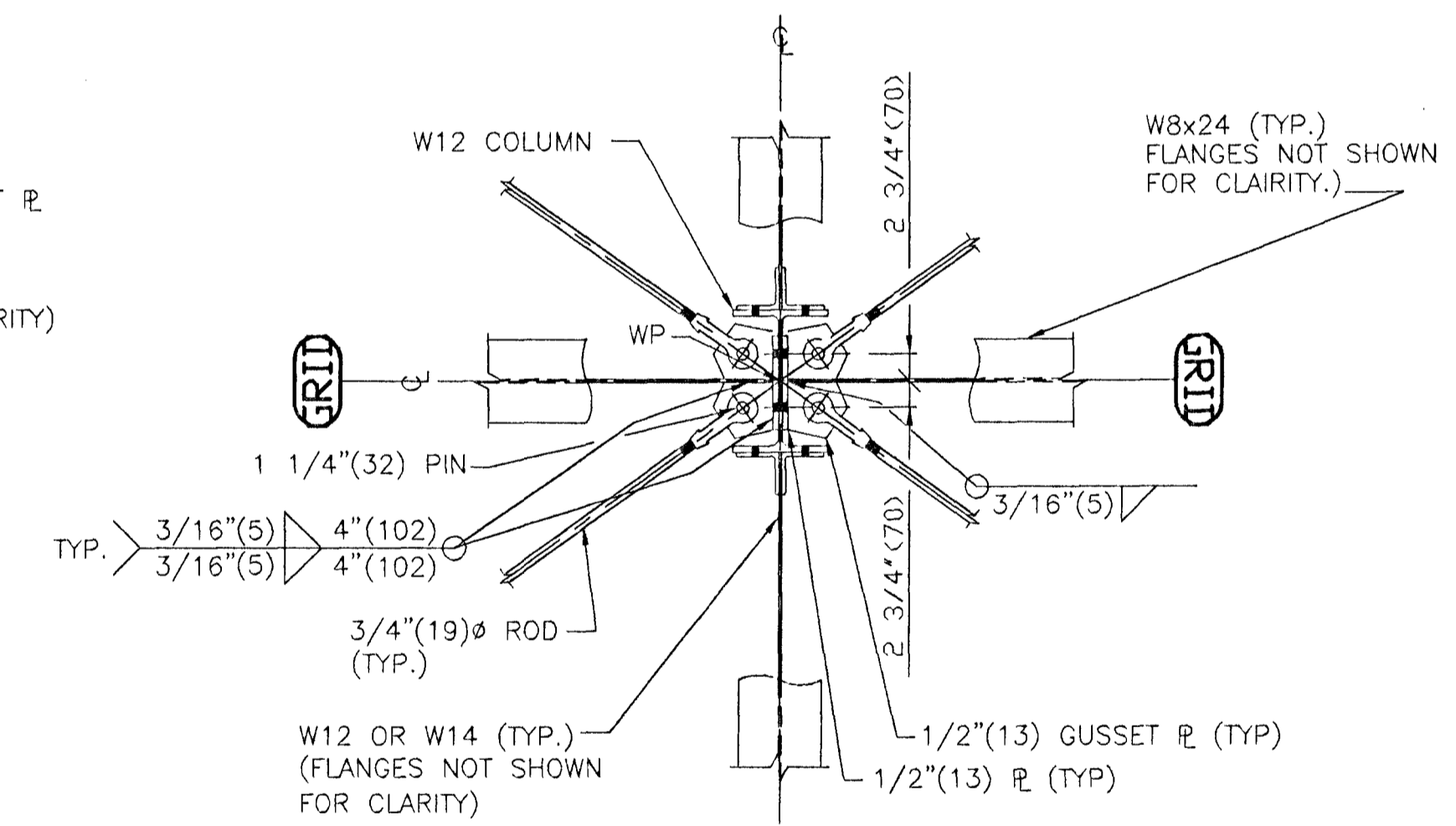
| BEAM SIZE | ROWS OF BOLTS | ANGLE SIZE | WELD SIZE (IN.) |
|-----------|---------------|---------------|-----------------|
| W8x10 | 2 | L4x3 1/2x5/16 | 3/16 |
| W8x24 | 2 | L4x3 1/2x5/16 | 3/16 |
| W10x49 | 2 | L4x3 1/2x5/16 | 3/16 |
| W12x19 | 3 | L4x3 1/2x5/16 | 3/16 |
| W12x22 | 3 | L4x3 1/2x5/16 | 3/16 |
| W14x22 | 4 | L4x3 1/2x5/16 | 3/16 |
| W14x26 | 4 | L4x3 1/2x5/16 | 3/16 |
| W18x35 | 5 | L4x3 1/2x5/16 | 3/16 |
| W21x44 | 6 | L4x3 1/2x5/16 | 3/16 |



DETAIL 5



DETAIL 6



DETAIL 7

NOTES:

- SEE SHEET S0.1 FOR GENERAL STRUCTURAL NOTES.
- BRACED BEAM TO COLUMN BOLTS SHOULD BE ARRANGED SUCH THAT CENTROID OF BOLT GROUP CORRESPONDS TO CENTER LINE OF BEAM.
- ALL BOLT SPACING IS 3" CENTER TO CENTER U.N.O.
- EDGE DISTANCE FOR ALL BOLTS SHALL BE 1 1/2" U.N.O.
- DIMENSIONS IN PARENTHESIS ARE THE EQUIVALENT IN MM.



Constructive Engineering Design Inc.
Consulting Structural Engineers
222 W. Gregory Blvd., Suite 340
Kansas City, Missouri 64114-1127

Building Code: 86MBMA
Live Ld (W/D Trib Red): 205 kgsm
Coll. Ld (gravity): 24.4 kgsm
Coll. Ld (uplift): 0.0 kgsm
Wind Speed: 193 kmph
Wind Exp. Cat.: C
Ground Snow: 178.6 kgsm
Roof Snow: 100.0 kgsm
Snow Exp. Cat.: 3
Seismic Zone: 3
Building Use Cat.: 4
Auxiliary Loads: NONE

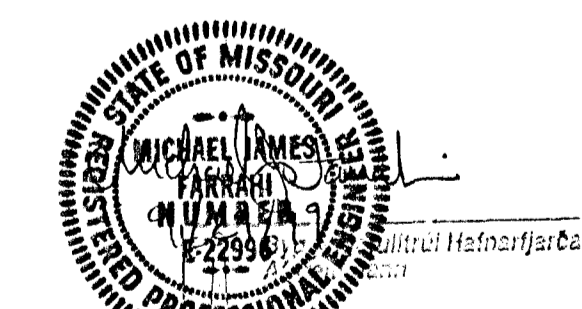
This Drawing, including the information hereon, remains the property of VP Buildings.
It is provided for Erecting the Building described in the applicable Purchase Order and shall not be modified, reproduced or used for any other purpose without prior Written Approval of VP Buildings.
The General Contractor and/or Erector is solely responsible for accurate, good quality workmanship in erecting this Building in conformance with this Drawing. Details referenced in this Drawing, all applicable VP Buildings Erection Details and all industry standards pertaining to proper erection, including the correct use of temporary bracing.

| FRAMING DETAILS | | | |
|-----------------|------|----|----------|
| REV | DATE | BY | DESC. |
| 1 | 7/20 | HE | 2" R |
| 2 | 9/1 | HE | DETAIL 1 |

| BUILDER | CUSTOMER | LOCATION | PROJECT | BUILDING |
|----------------------|----------|--------------------|-----------------|----------|
| International Client | Sindri | Reykjavik, Iceland | Sindri Workshop | Office |

| QUOTE # | JOB # |
|---------|----------|
| | P9924127 |

| DATE | TIME | DRAW/CHECK | PAGE |
|----------|-------|------------|-------|
| 07/20/99 | XX:XX | CW/ME | S.4.1 |



Samþykkt sér skýrsla til KIS dags 27.01.01
Verkfæðistofa Norðurlands hf
Höfðabót 4, Akureyri. Kt. 560175-0869
Eiríkur Jónsson byggingaverkfr. Kt. 051045-4679