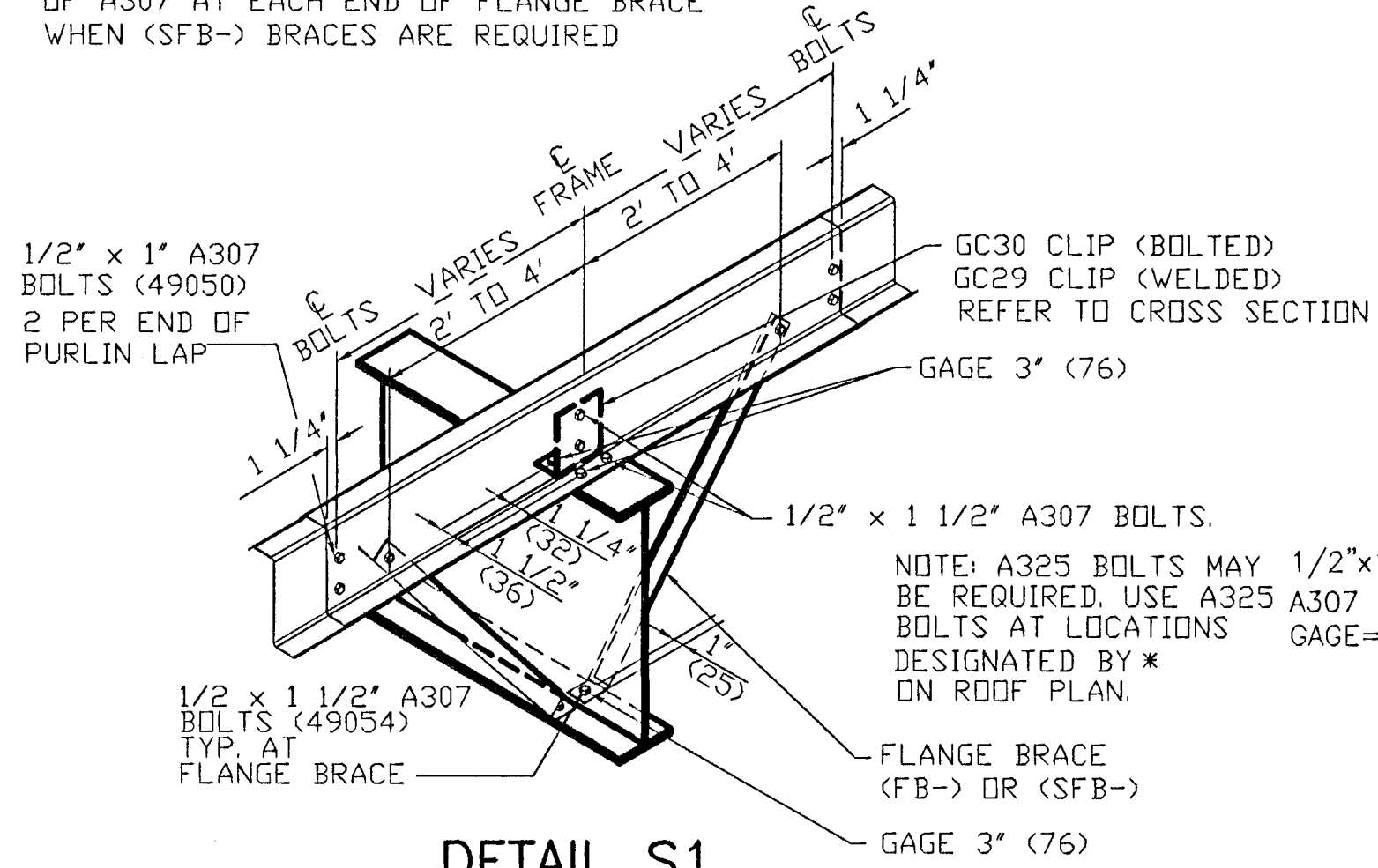


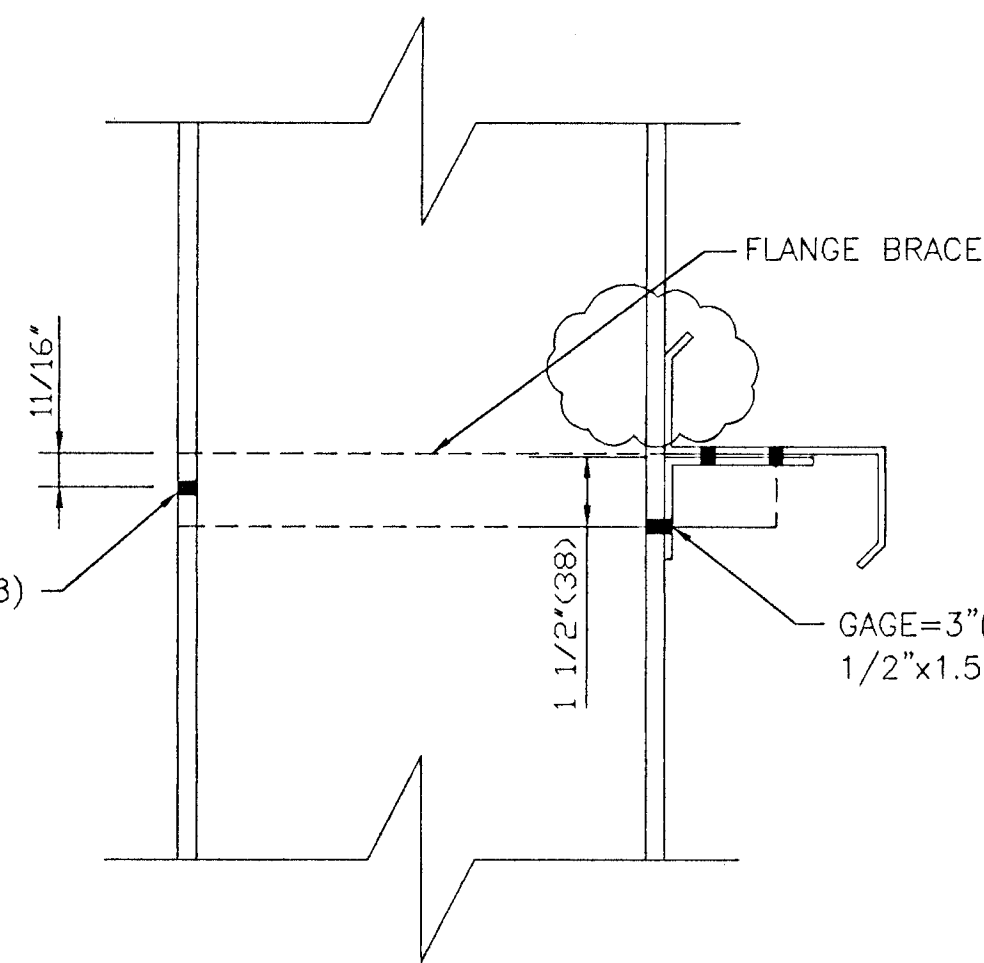
NOTE: SUBSTITUTE 1/2" DIA A325 BOLTS IN LIEU OF A307 AT EACH END OF FLANGE BRACE WHEN (SFB-) BRACES ARE REQUIRED



DETAIL S1

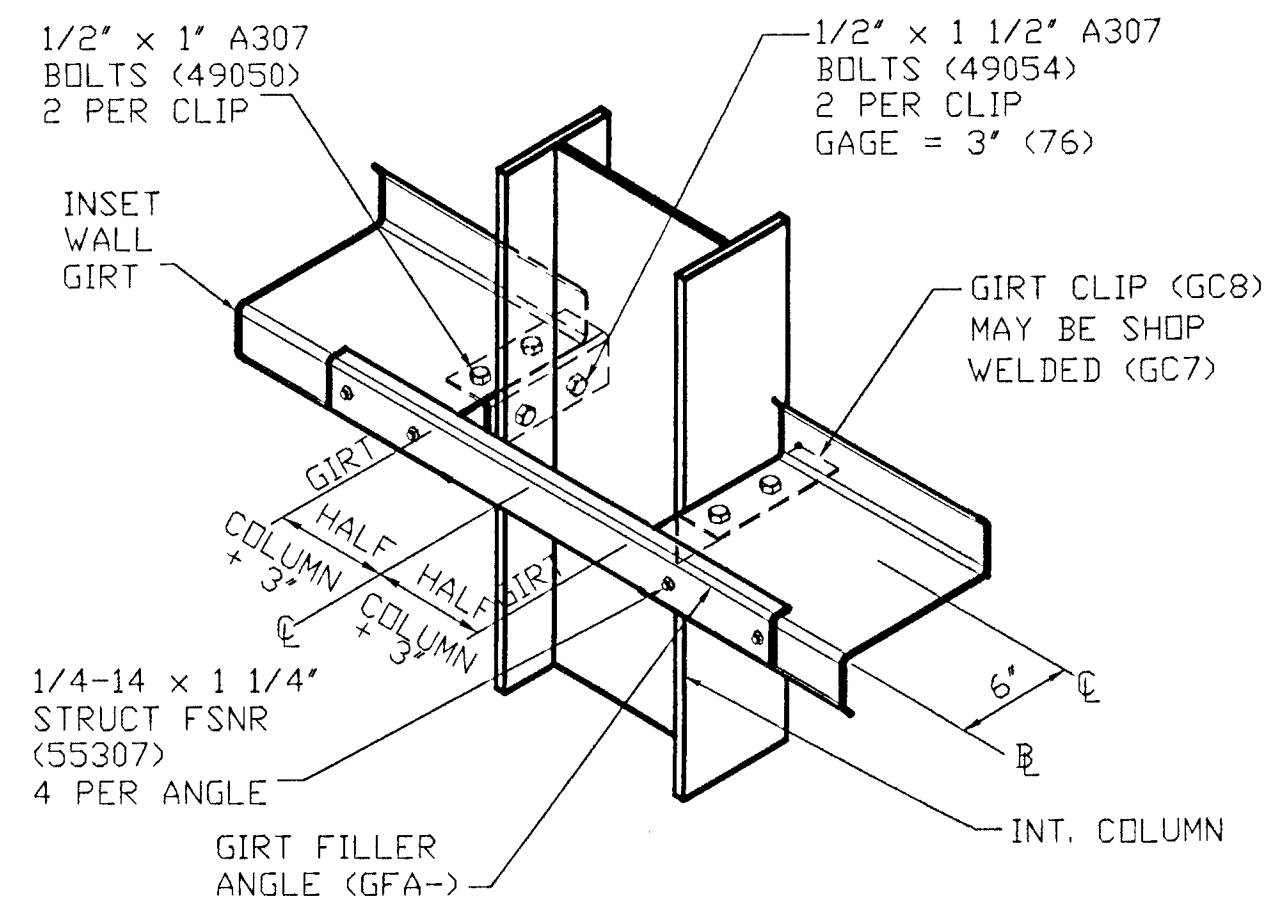
PURLIN CONNECTION TO ROOF BEAMS RS01A1

6 1/2" OR 8 1/2" CONTINUOUS PURLINS W/CLIP
RS01A1VS R 9/25/97



DETAIL S2

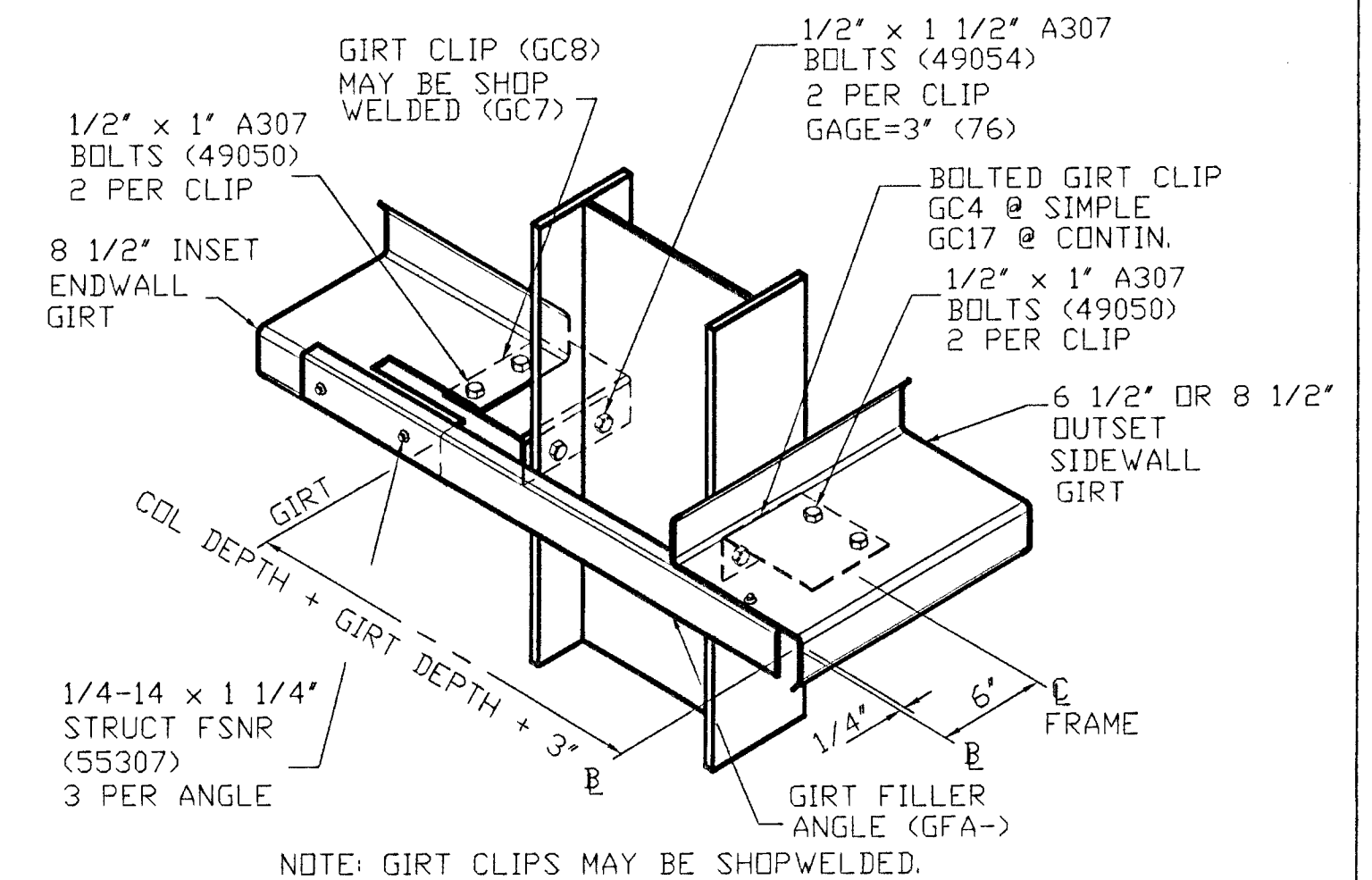
GIRT CONN. AT SIDEWALL COLUMN



DETAIL S3

INSET GIRT CONNECTION ON EAST AND WEST WALLS WS03E2

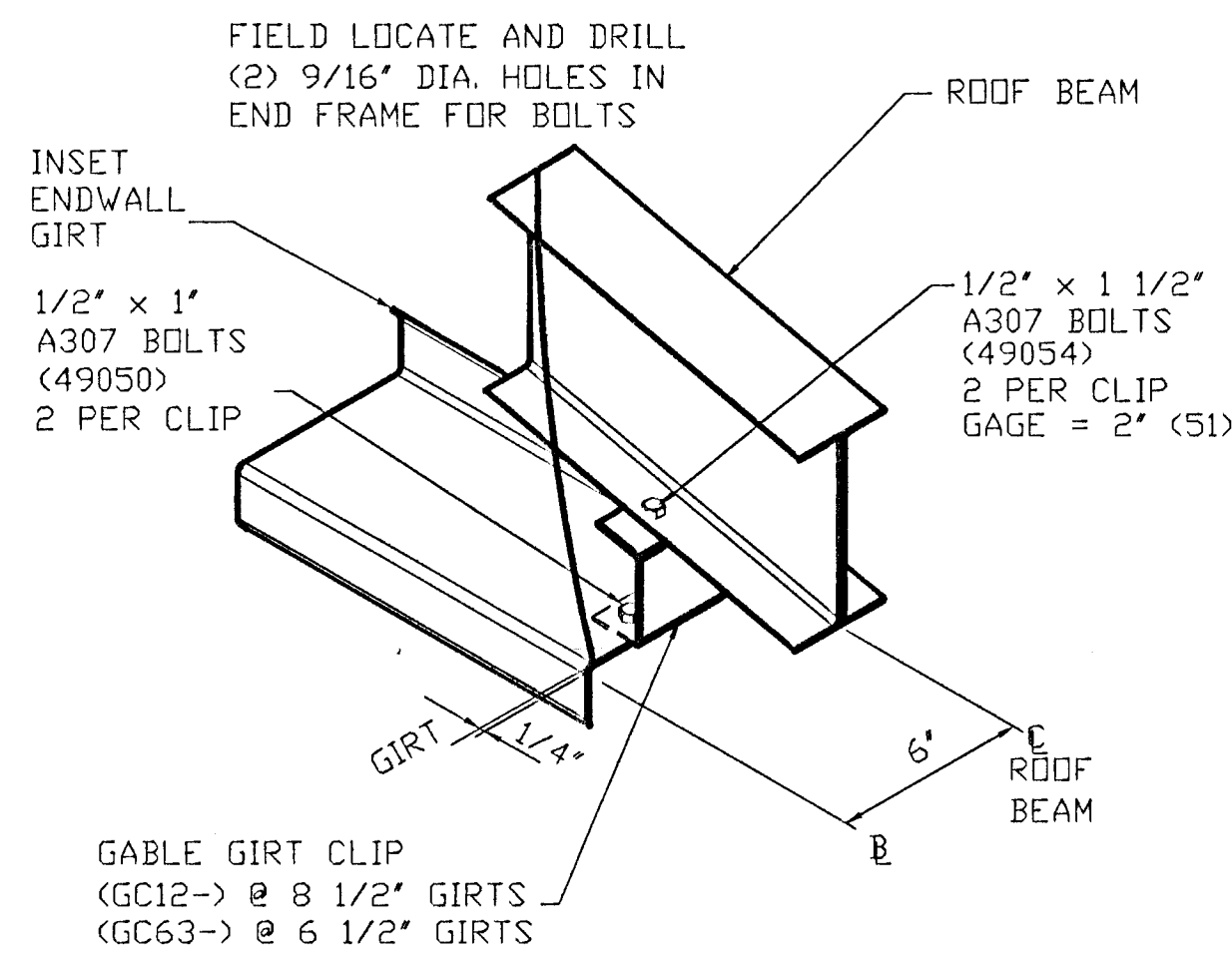
8 1/2" INSET ZEE GIRTS
WS03E2V4R 9/30/97



DETAIL S4

GIRT CONNECTION AT CORNER COLUMN WS10E2

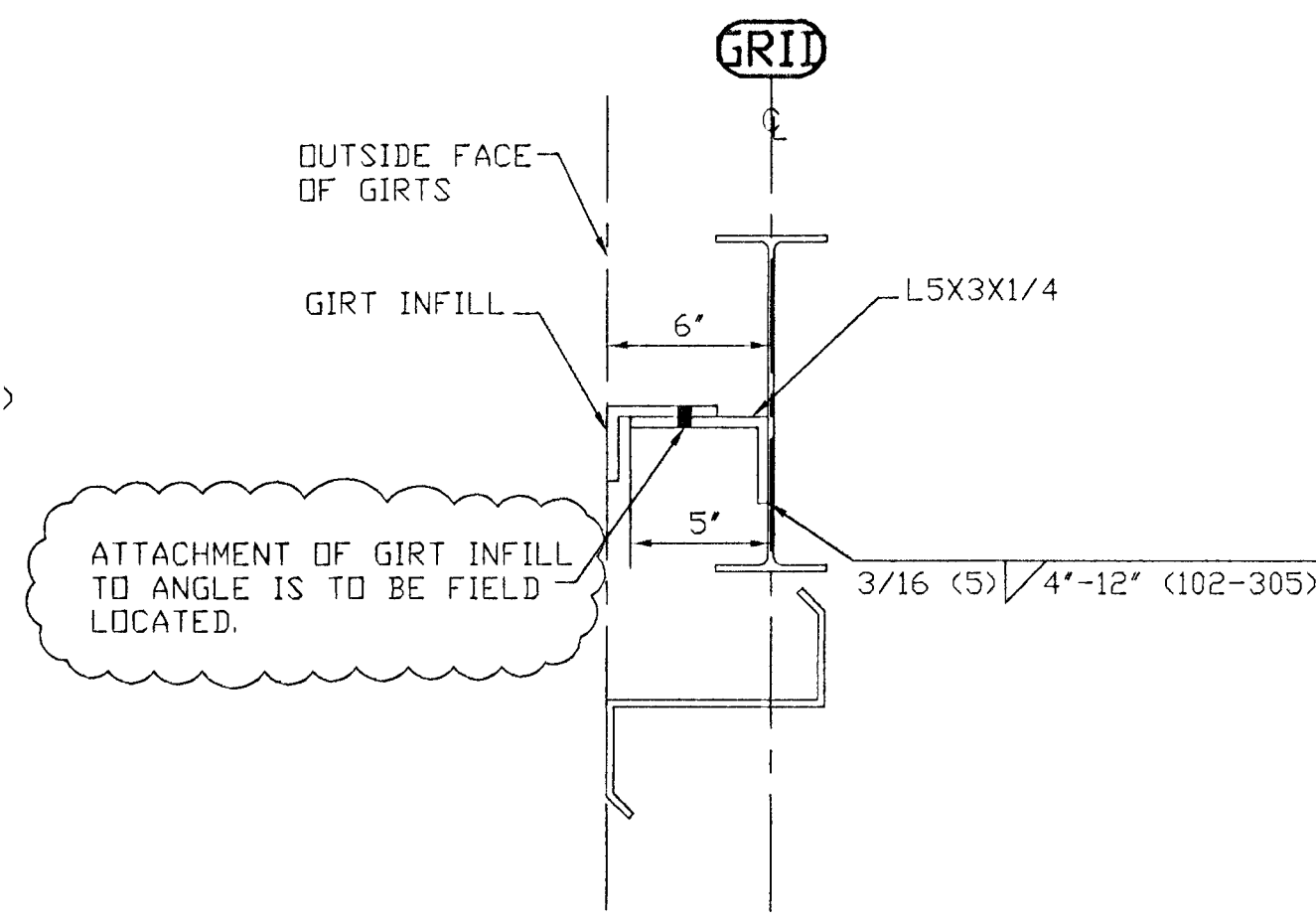
8 1/2" INSET GIRT AT EW, ANY OUTSET GIRT AT SW
WS10E2V5R 9/30/97



DETAIL S5

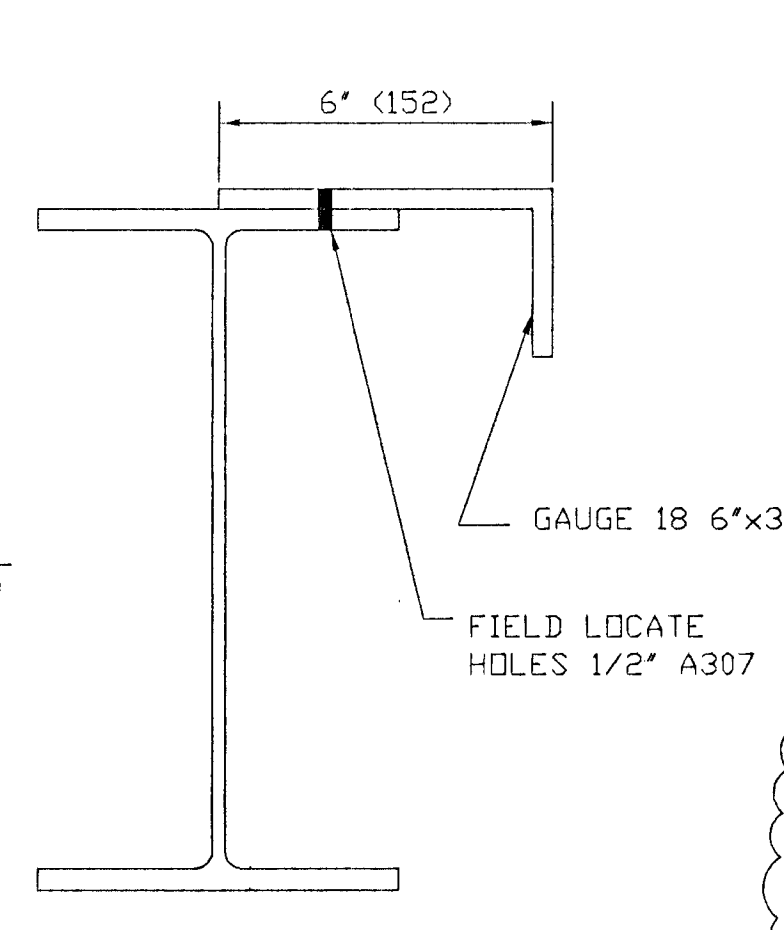
GIRT CONNECTION TO ROOF BEAM WS04D2

6 1/2" & 8 1/2" INSET ZEE GIRTS
WS04D2VJR 9/30/97



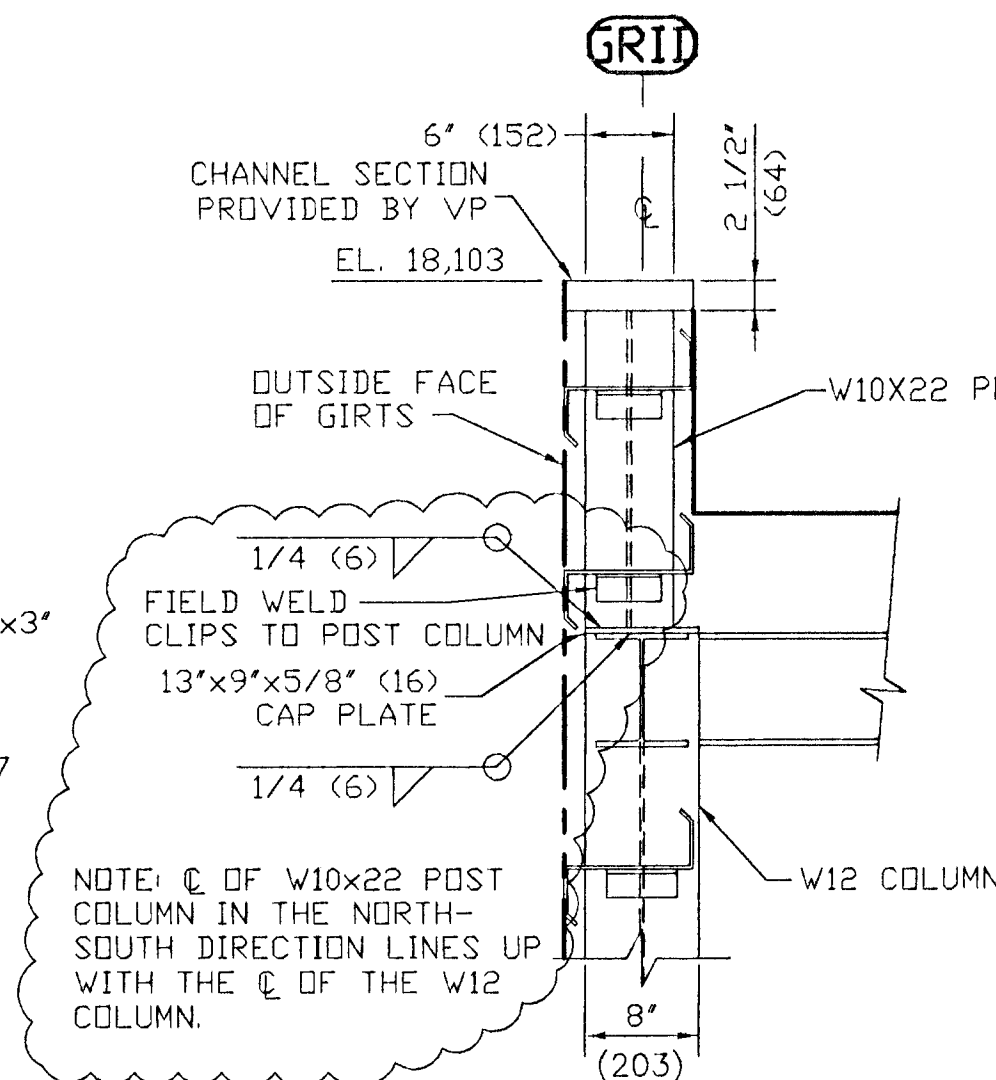
DETAIL S6

GIRT FILL ANGLE ATTACHED TO ROOF BEAM WEB



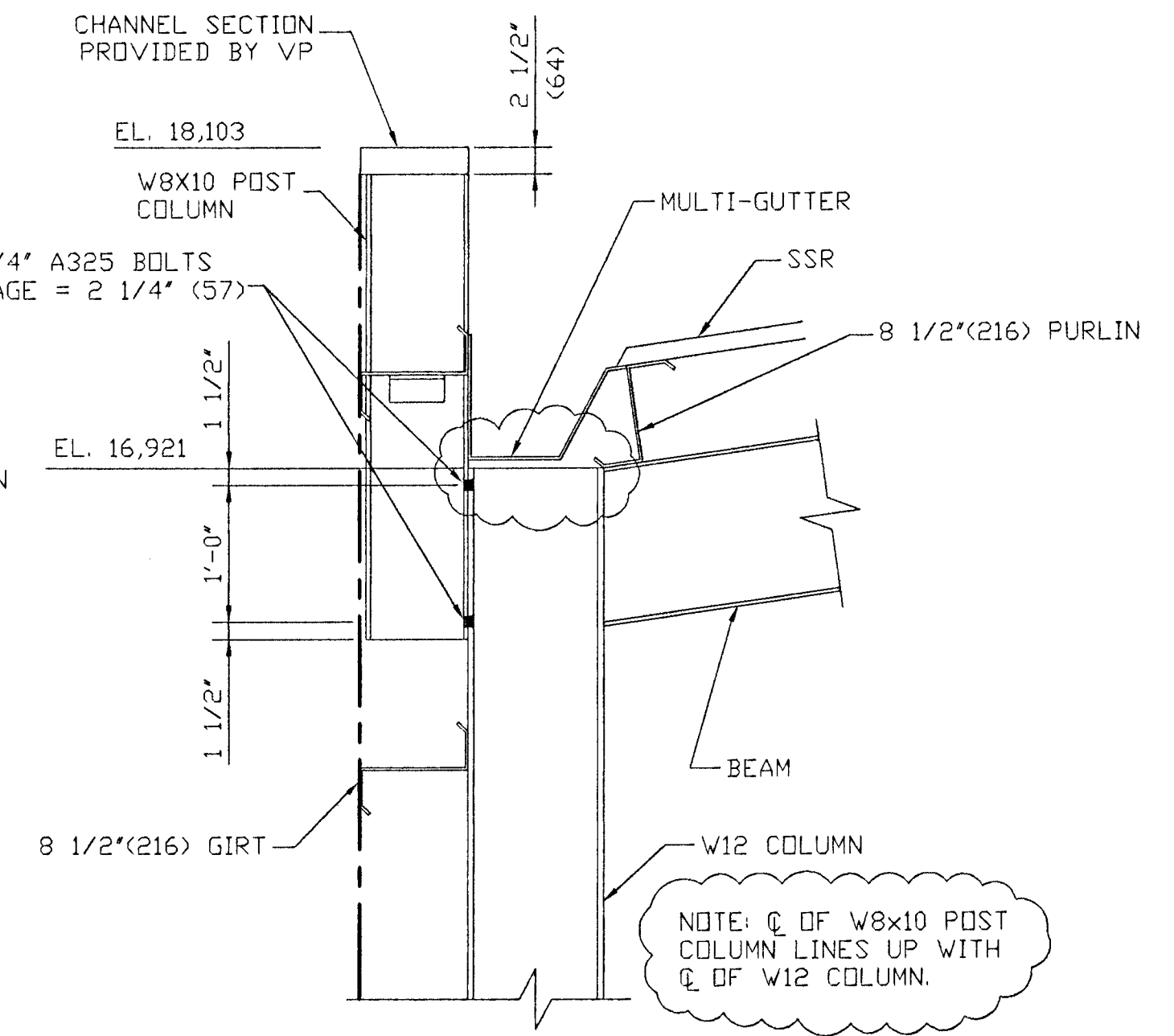
DETAIL S7

ANGLE FILL FOR GIRTS AT ROOF BEAMS



DETAIL S8

PARAPET DETAIL FOR EAST AND WEST WALLS



DETAIL S9

PARAPET DETAIL FOR NORTH AND SOUTH WALLS

CE
Constructive Engineering Design Inc.
Consulting Structural Engineers
222 W. Gregory Blvd., Suite 340
Kansas City, Missouri 64114-1127

Building Code: 86MBMA
Live Ld(W/D Trib Red): 205 kgs/m
Coll. Ld (gravity): 24.4 kgs/m
Coll. Ld (uplift): 0.0 kgs/m
Wind Speed: 193 kmph
Wind Exp. Cat.: C
Ground Snow: 178.6 kgs/m
Roof Snow: 100.0 kgs/m
Snow Exp. Cat.: 3
Seismic Zone: 3
Building Use Cat.: 4
Auxiliary Loads: NONE

This Drawing, including the information hereon, remains the property of VP Buildings.
It is provided for Erecting the Building described in the applicable Purchase Order and shall not be modified, reproduced or used for any other purpose without prior Written Approval of VP Buildings.
The General Contractor and/or Erector is solely responsible for accurate, good quality workmanship in erecting this Building in conformance with this Drawing. Details referenced in this Drawing, all applicable VP Buildings Erection Details and all industry standards pertaining to proper erection, including the correct use of temporary bracing.

DETAIL SHEET (SECONDARY)			
REV	DATE	BY	DESC.
1	9/1	ME	CLAUDED
BUILDER		International Client	
CUSTOMER		Sindri	
LOCATION		Reykjavik, Iceland	
PROJECT		Sindri Workshop	
BUILDING		Office	
SCALE: NTS			

OUTDE #	JOB #
	P9924127
	DATE
	07/20/99
	TIME
	XX:XX
	DRAW/CHECK
	CW/ME
	PAGE
	S6.6

Byggingstúlinn Hefnaráðgjafar
Sambýkkt skýrsla til RB dags 20. Mars 2000
Verkfæðisstofa Norðurlands ehf
Höfðabót 4, Akureyri. Kt. 560175-0899
Eiríkur Jónsson byggingaverkfr.
Kt 051045-4679