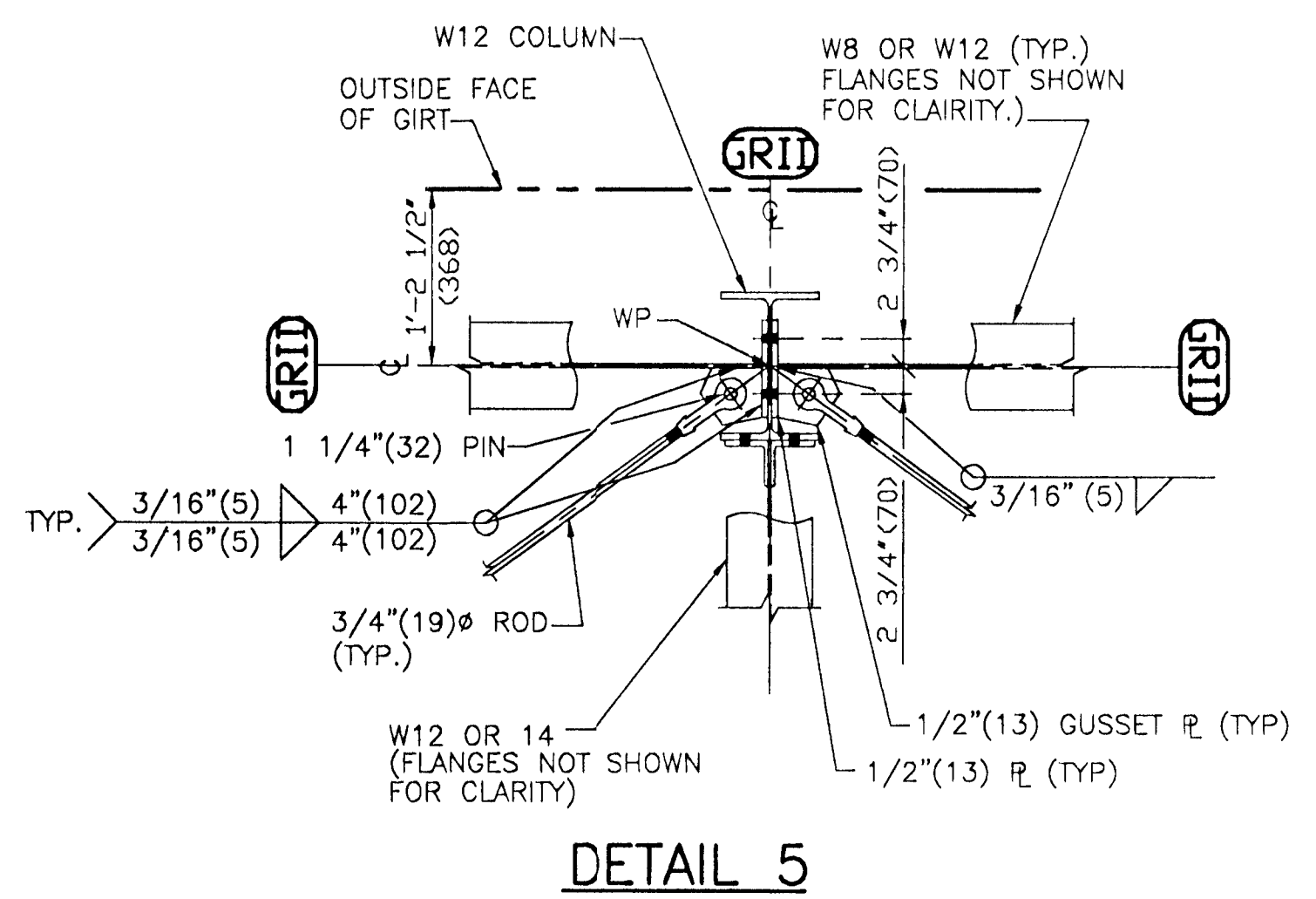


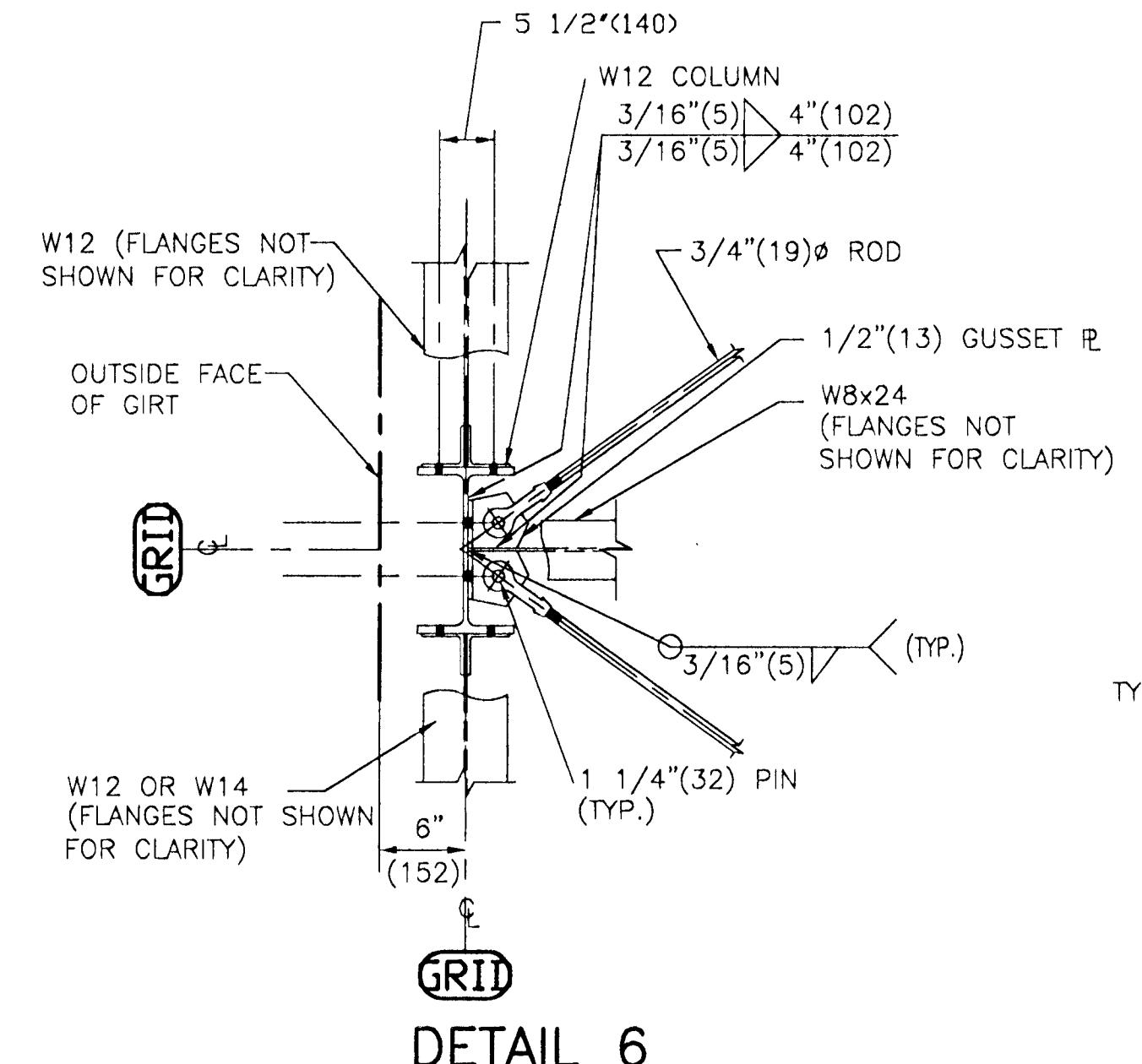
DOUBLE ANGLE SHEAR CONNECTION

DOUBLE ANGLE SHEAR CONNECTION SCHEDULE

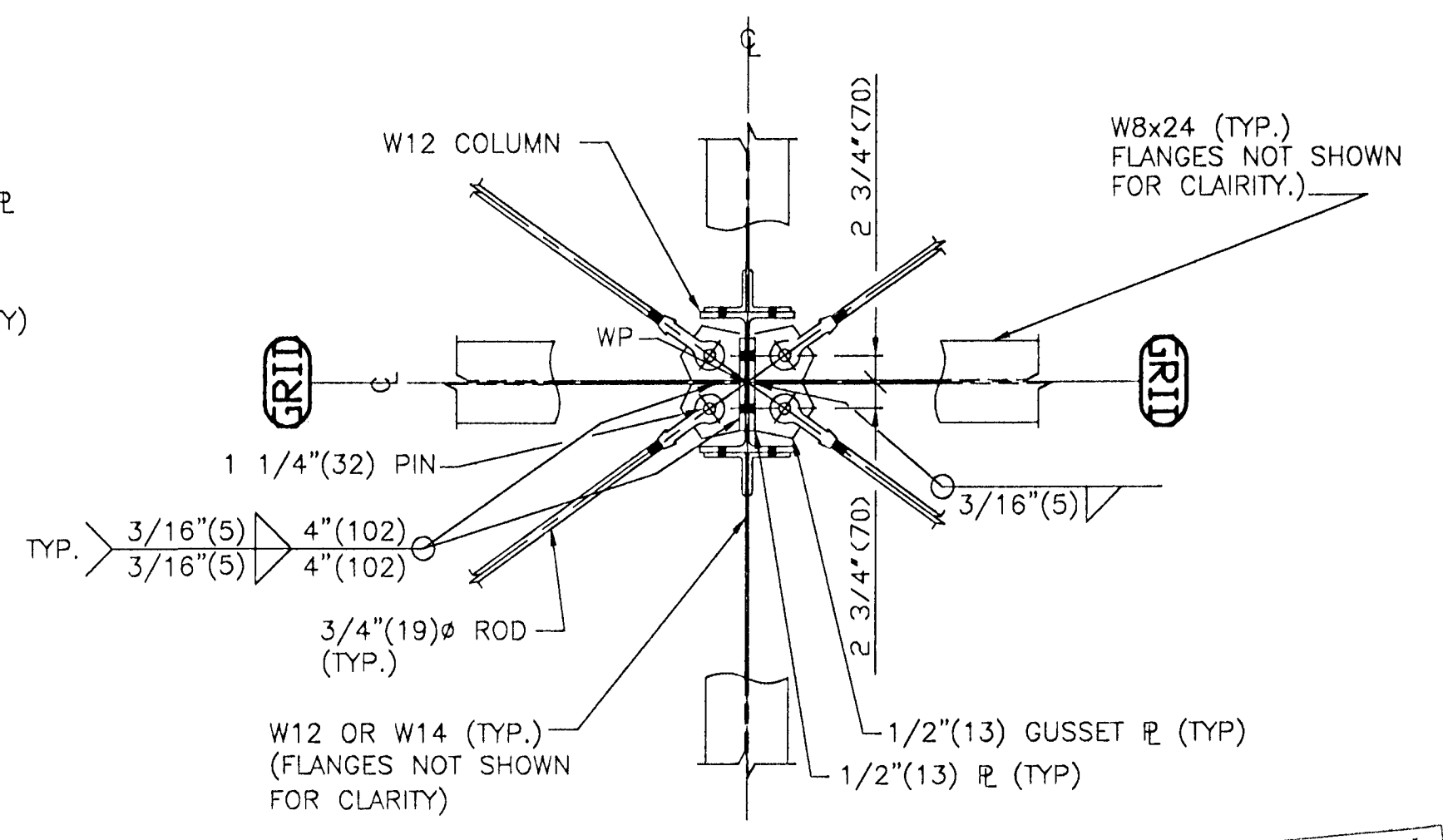
BEAM SIZE	ROWS OF BOLTS	ANGLE SIZE	WELD SIZE (IN.)
W8x10	2	L4x3 1/2x5/16	3/16
W8x24	2	L4x3 1/2x5/16	3/16
W10x49	2	L4x3 1/2x5/16	3/16
W12x19	3	L4x3 1/2x5/16	3/16
W12x22	3	L4x3 1/2x5/16	3/16
W14x22	4	L4x3 1/2x5/16	3/16
W14x26	4	L4x3 1/2x5/16	3/16
W18x35	5	L4x3 1/2x5/16	3/16
W21x44	6	L4x3 1/2x5/16	3/16



DETAIL 5



DETAIL 6



DETAIL 7

- NOTES:**
- SEE SHEET S01 FOR GENERAL STRUCTURAL NOTES.
 - BRACED BEAM TO COLUMN BOLTS SHOULD BE ARRANGED SUCH THAT CENTROID OF BOLT GROUP CORRESPONDS TO CENTER LINE OF BEAM.
 - ALL BOLT SPACING IS 3' CENTER TO CENTER U.N.O.
 - EDGE DISTANCE FOR ALL BOLTS SHALL BE 1 1/2" U.N.O.
 - DIMENSIONS IN PARENTHESIS ARE THE EQUIVALENT IN MM.

Constructive Engineering Design Inc.
 Consulting Structural Engineers
 222 W. Gregory Blvd., Suite 340
 Kansas City, Missouri 64114-1127

Building Code: 86MBMA
 Live Ld(W/D Trib Red): 205 kgsm
 Coll. Ld (gravity): 24.4 kgsm
 Coll. Ld (uplift): 0.0 kgsm
 Wind Speed: 193 kmph
 Wind Exp. Cat.: C
 Ground Snow: 178.6 kgsm
 Roof Snow: 100.0 kgsm
 Snow Exp. Cat.: 3
 Seismic Zone: 3
 Building Use Cat.: 4
 Auxiliary Loads: NONE

This Drawing, including the information hereon, remains the property of VP Buildings.
 It is provided for Erecting the Building described in the applicable Purchase Order and shall not be modified, reproduced or used for any other purpose without prior Written Approval of VP Buildings.
 The General Contractor and/or Erector is solely responsible for accurate, good quality workmanship in erecting this Building in conformance with this Drawing. Details referenced in this Drawing, all applicable VP Buildings Erection Details and all Industry Standards pertaining to proper erection, including the correct use of temporary bracing.

REV	DATE	BY	DESC.	BUILDER
1	7/20	ME	2' PL	International Client

Customer: Sindri
 Location: Reykjavik, Iceland
 Project: Sindri Workshop
 Building: Office

QUOTE # _____ JOB # P9924127
 DATE 07/20/99
 TIME XX:XX
 DRAW/CHECK CW/ME
 PAGE S4.1



Byggingaútrunni Hafnarjarðar
 Afgreitt þann
 20 MAÍ 2009
 Sigurbjartur Halldórsson

Verkfæðisstofa Norðurlands ehf.
 Hofsbót 4 600 Akureyri, kt. 560175-0869
 Eiríkur Jónsson byggingaverkf. kt. 051045-4679
 VERKFRÆÐISTOFANORÐURLANDS ehf.