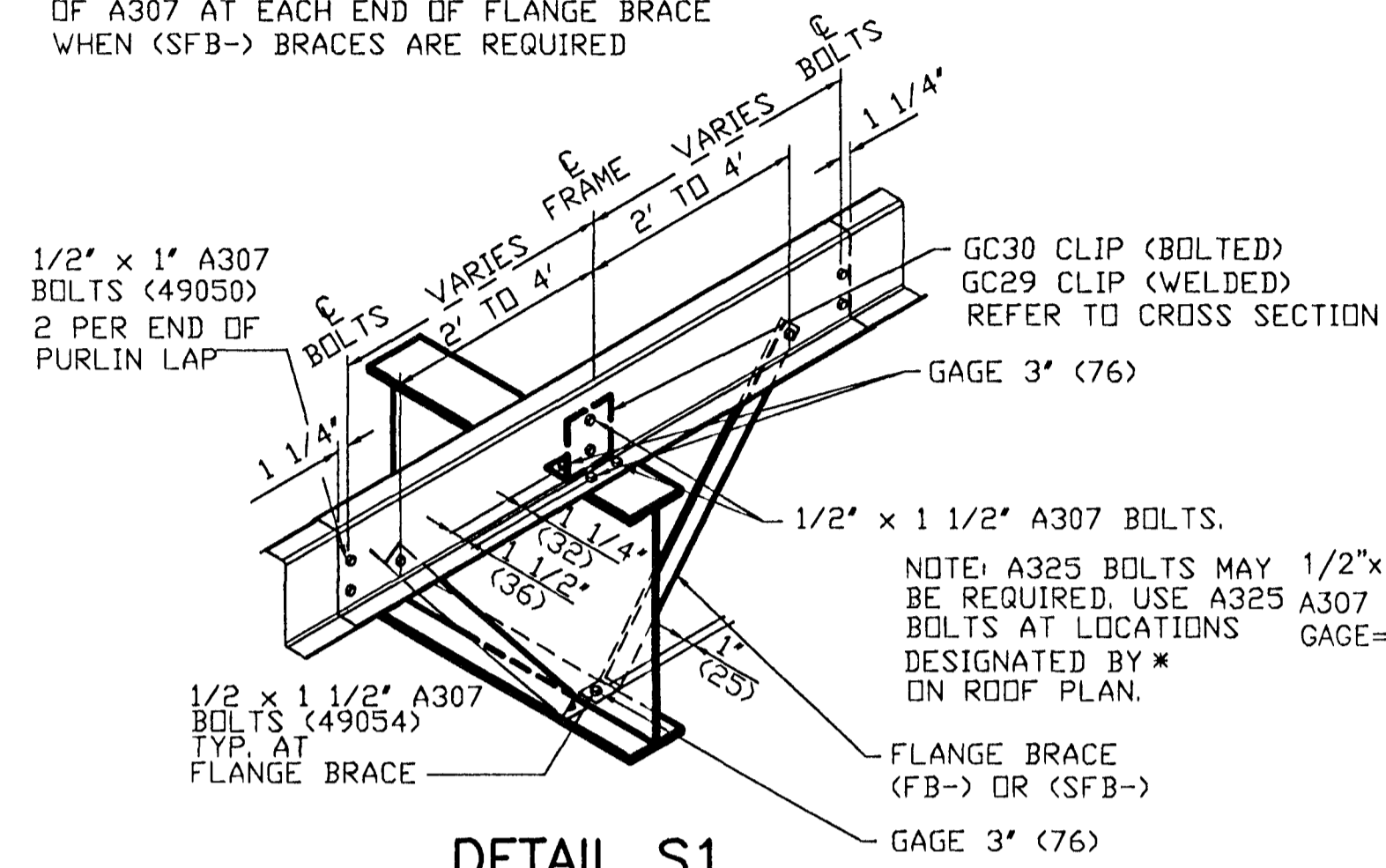
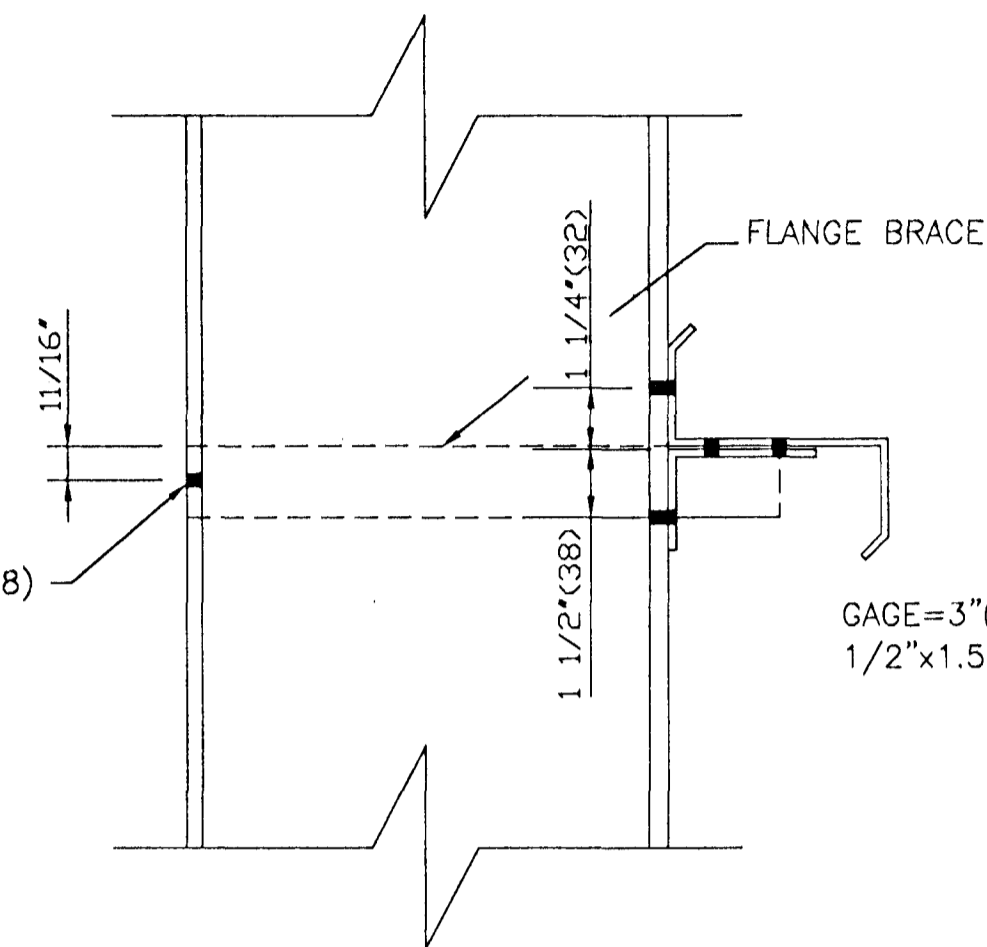


NOTE: SUBSTITUTE 1/2" DIA A325 BOLTS IN LIEU OF A307 AT EACH END OF FLANGE BRACE WHEN (SFB-) BRACES ARE REQUIRED



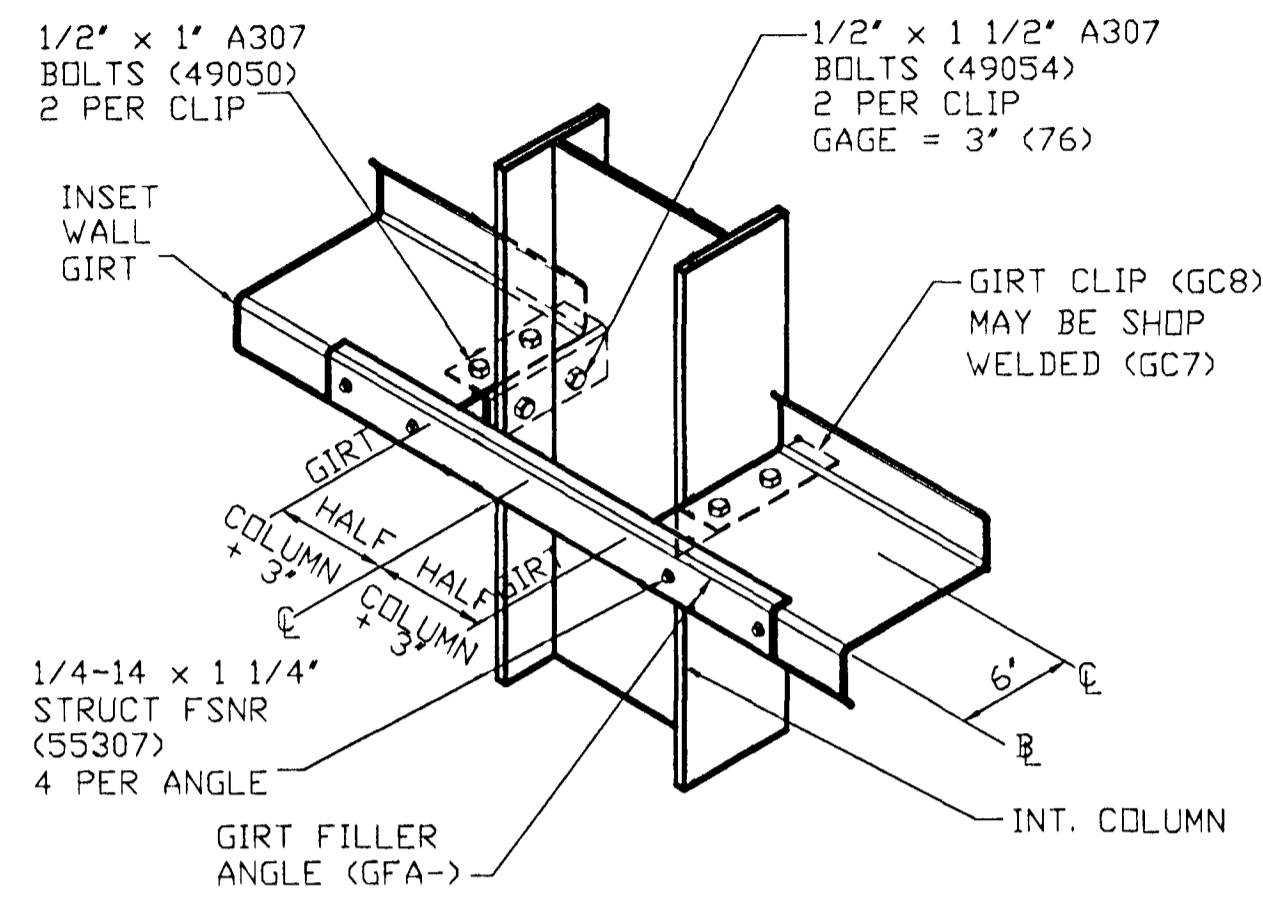
DETAIL S1

PURLIN CONNECTION TO ROOF BEAMS RS01A1
6 1/2" OR 8 1/2" CONTINUOUS PURLINS W/CLIP
RS01A1VS R 9/25/97



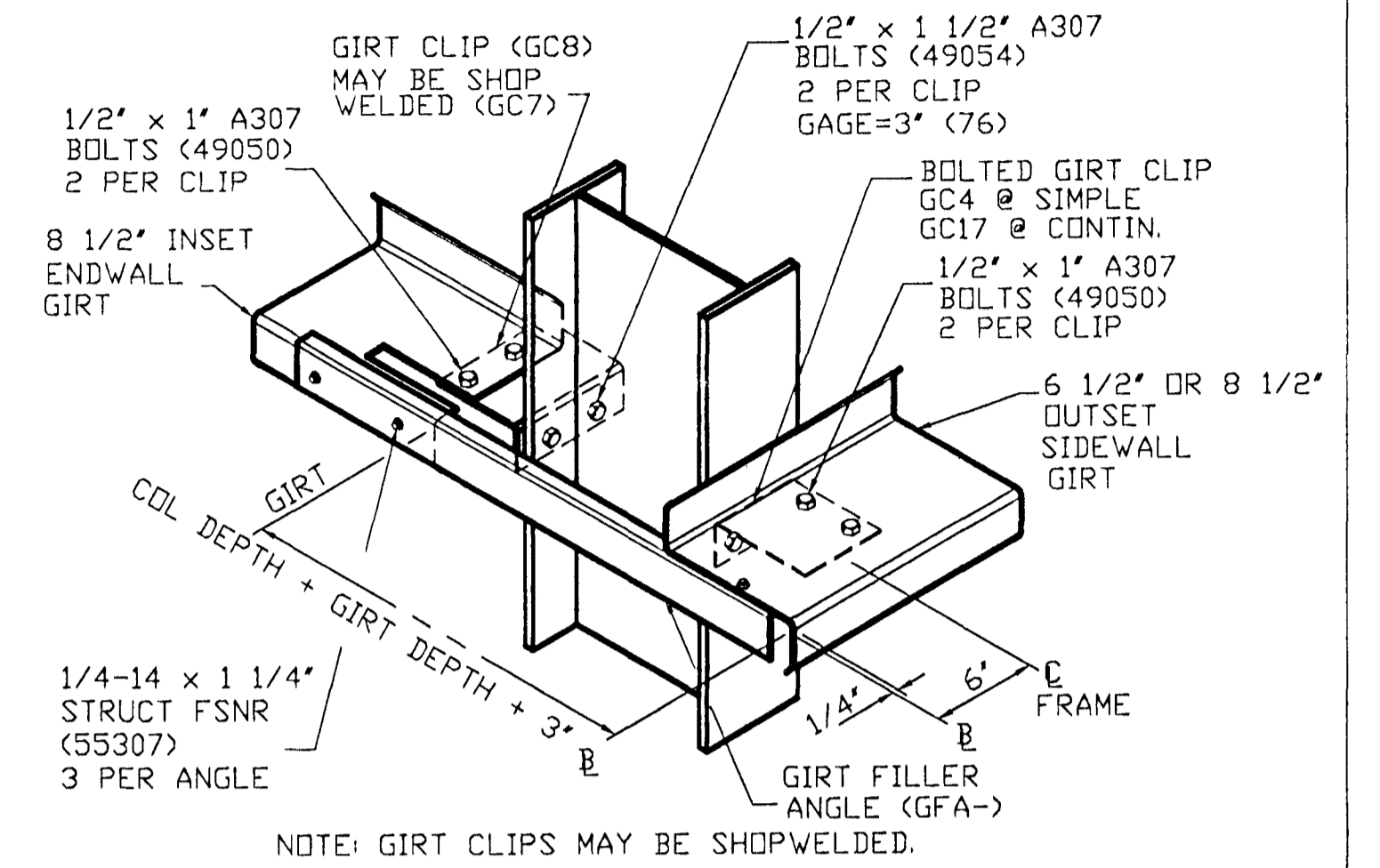
DETAIL S2

GIRT CONN. AT SIDEWALL COLUMN



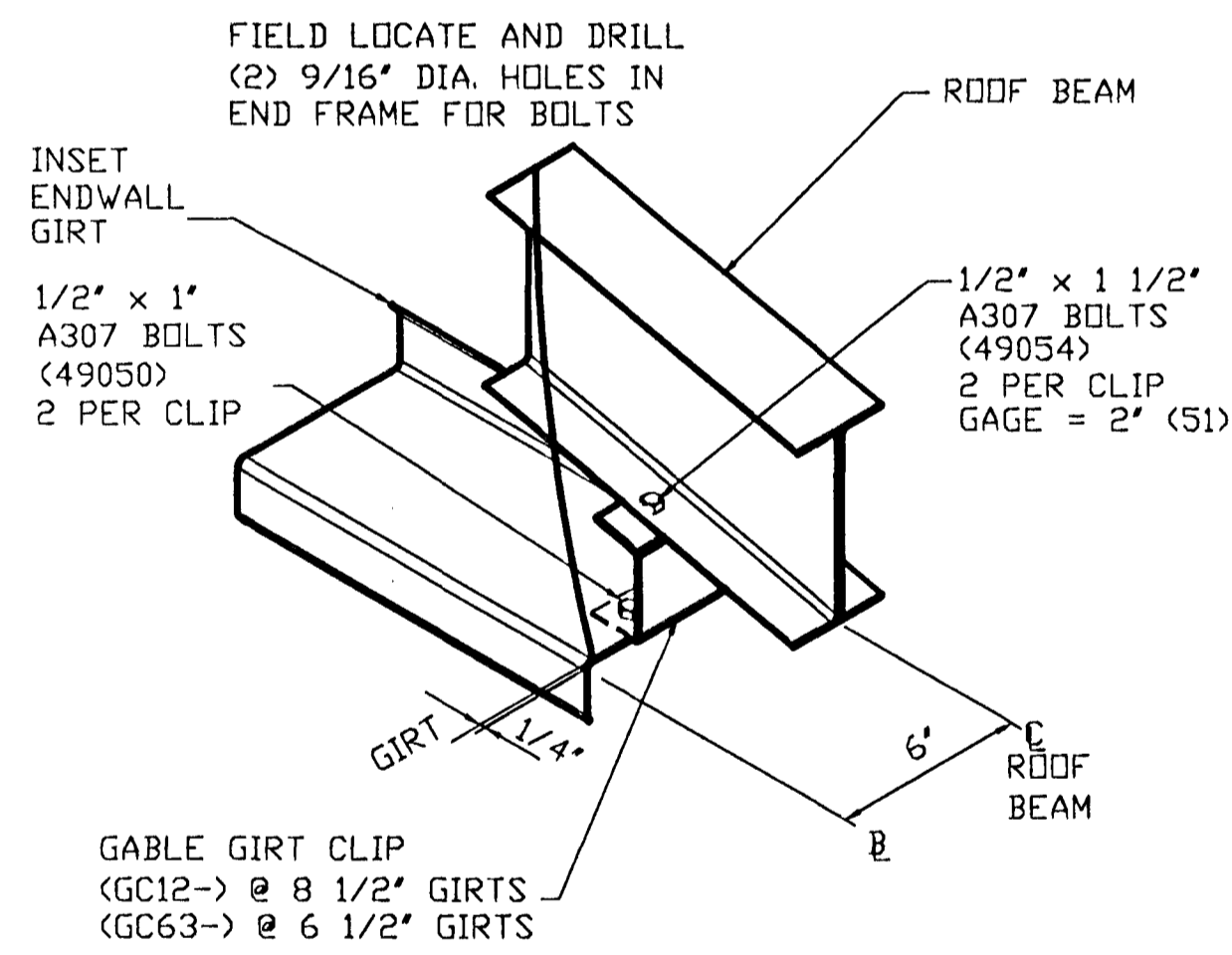
DETAIL S3

INSET GIRT CONNECTION ON EAST AND WEST WALLS WS03E2
8 1/2" INSET ZEE GIRTS
WS03E2V4R 9/30/97



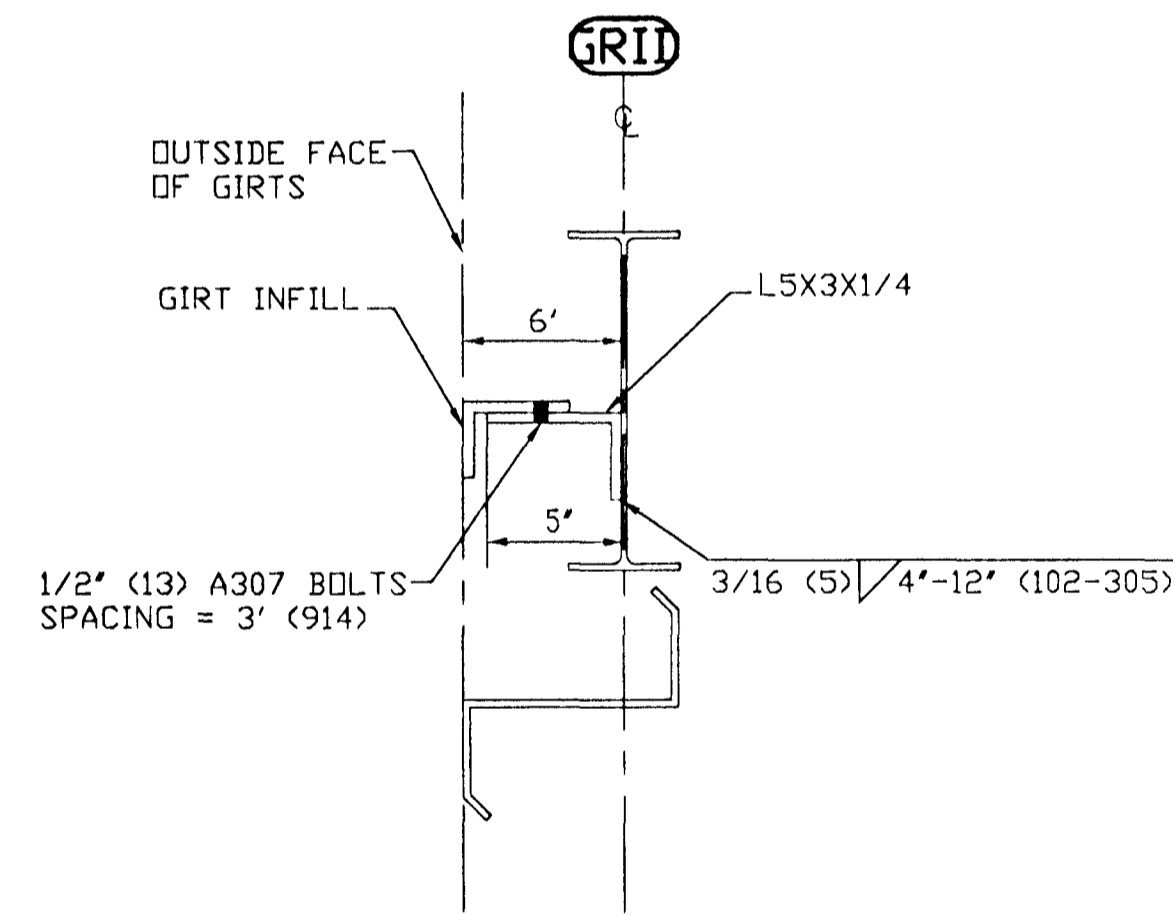
DETAIL S4

GIRTS CONNECTION AT CORNER COLUMN WS10E2
8 1/2" INSET GIRT AT EW, ANY OUTSET GIRT AT SW
WS10E2V5R 9/30/97



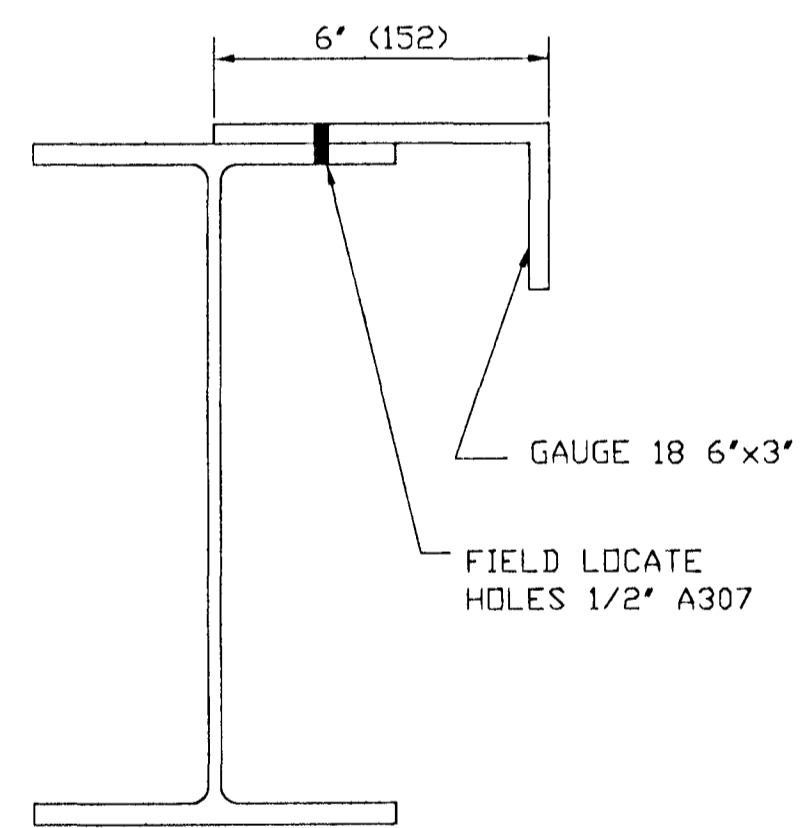
DETAIL S5

GIRTS CONNECTION TO ROOF BEAM WS04D2
6 1/2" & 8 1/2" INSET ZEE GIRTS
WS04D2V3R 9/30/97



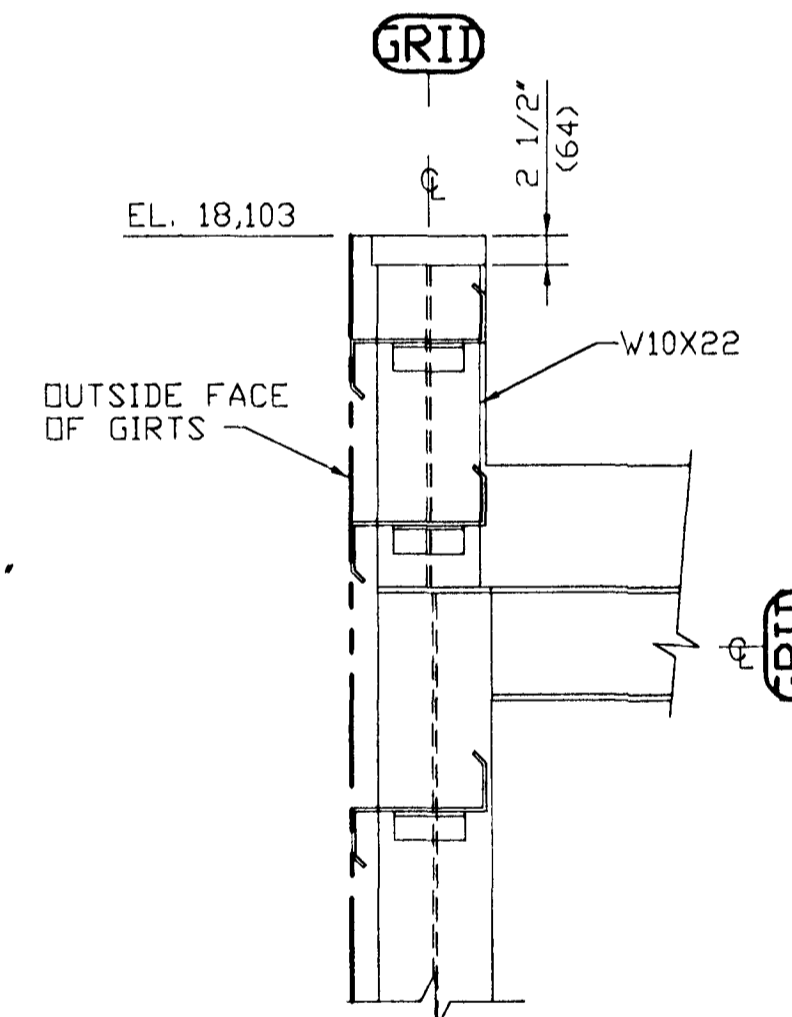
DETAIL S6

GIRTS FILL ANGLE ATTACHED TO ROOF BEAM WEB



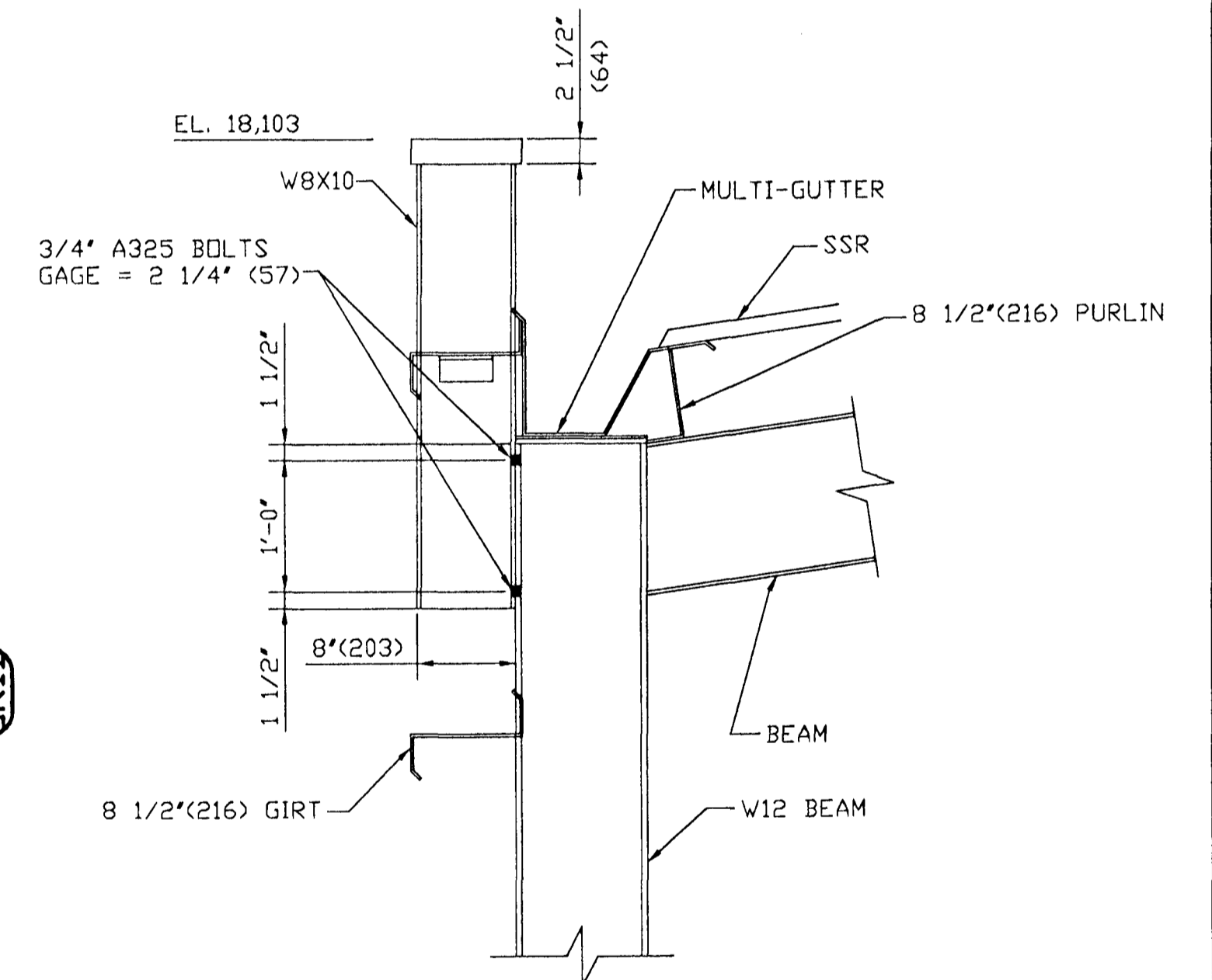
DETAIL S7

ANGLE FILL FOR GIRTS AT ROOF BEAMS



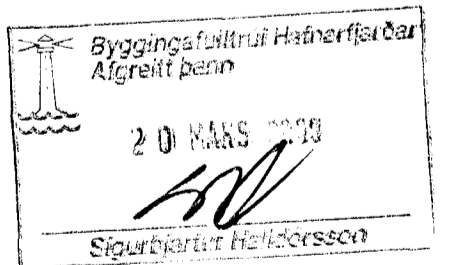
DETAIL S8

PARAPET DETAIL FOR EAST AND WEST WALLS



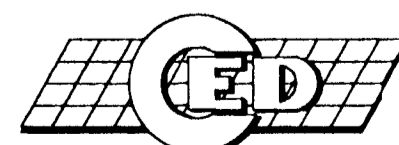
DETAIL S9

PARAPET DETAIL FOR NORTH AND SOUTH WALLS



Verkfæðistofa Norðurlands ehf.
Hoðsbót 4 600 Akureyri. kt. 560175-0869
Eiríkur Jónsson byggingaverkfr.
kt. 051045-4679

VERKFRÆÐISTOFANORÐURLANDS ehf.



Constructive Engineering Design Inc.
Consulting Structural Engineers
222 W. Gregory Blvd., Suite 340
Kansas City, Missouri 64114-1127

Building Code: 86MBMA
Live Ld(W/D Trib Red) 205 kgsm
Coll. Ld (gravity) 24.4 kgsm
Coll. Ld (uplift) 0.0 kgsm
Wind Speed: 193 kmph
Wind Exp. Cat.: C
Ground Snow: 178.6 kgsm
Roof Snow: 100.0 kgsm
Snow Exp. Cat.: 3
Seismic Zone: 3
Building Use Cat.: 4
Auxiliary Loads: NONE

This Drawing, including the information hereon, remains the property of VP Buildings.
It is provided for Erecting the Building described in the applicable Purchase Order and shall not be modified, reproduced or used for any other purpose without prior Written Approval of VP Buildings.
The General Contractor and/or Erector is solely responsible for accurate, good quality workmanship in erecting this Building in conformance with this Drawing. Details referenced in this Drawing, all applicable VP Buildings Erection Details and all industry standards pertaining to proper erection, including the correct use of temporary bracing.

| DETAIL SHEET (SECONDARY) | | | | QUOTE # | JOB # |
|--------------------------|------|----|---------------------------------|------------------------------|---------------------|
| REV | DATE | BY | DESC. | VP BUILDINGS VARCO-PRUDEN | P9924127 |
| | | | BUILDER International Client | | DATE 07/20/99 |
| | | | CUSTOMER Sindri | | TIME XX:XX |
| | | | LOCATION Reykjavik, Iceland | | DRAW/CHECK CW/ME |
| | | | PROJECT Sindri Workshop | | PAGE S6.6 |
| SCALE: NTS | | | | | |
| BUILDING Office | | | | | |