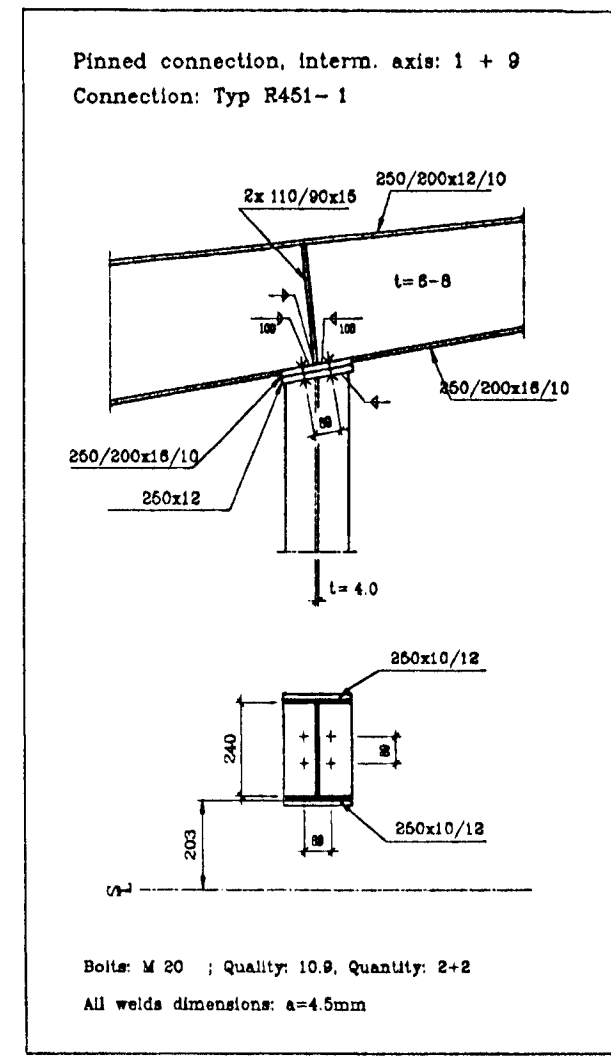
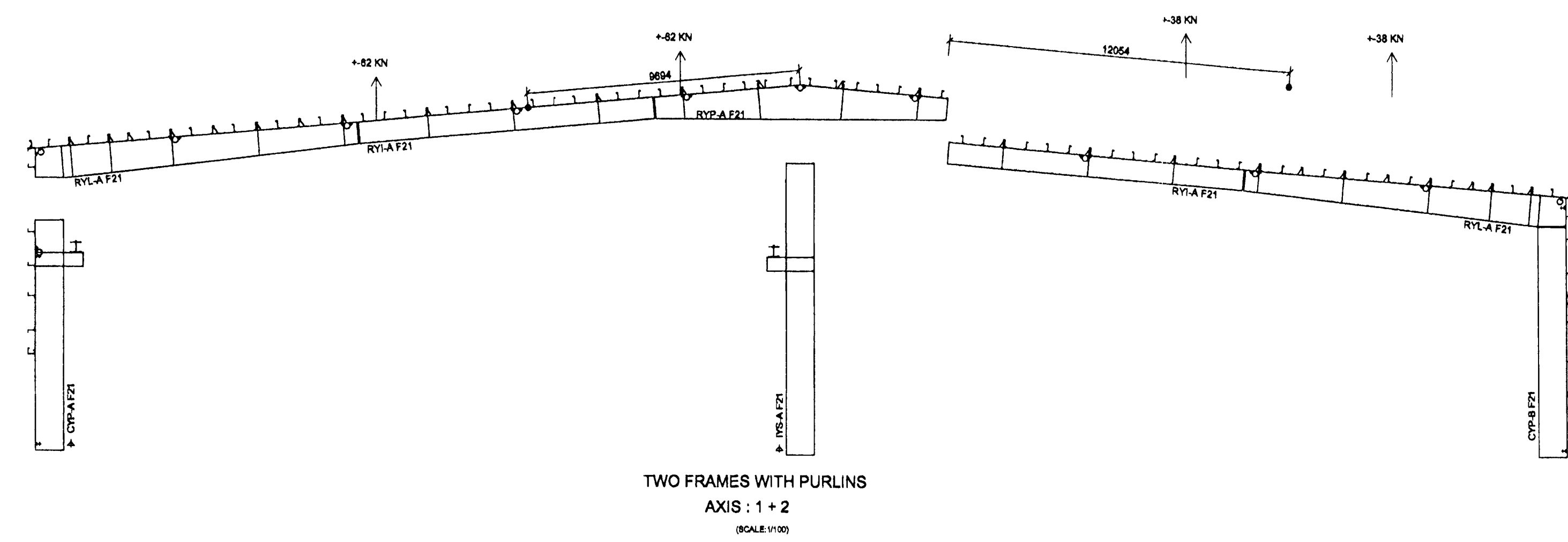
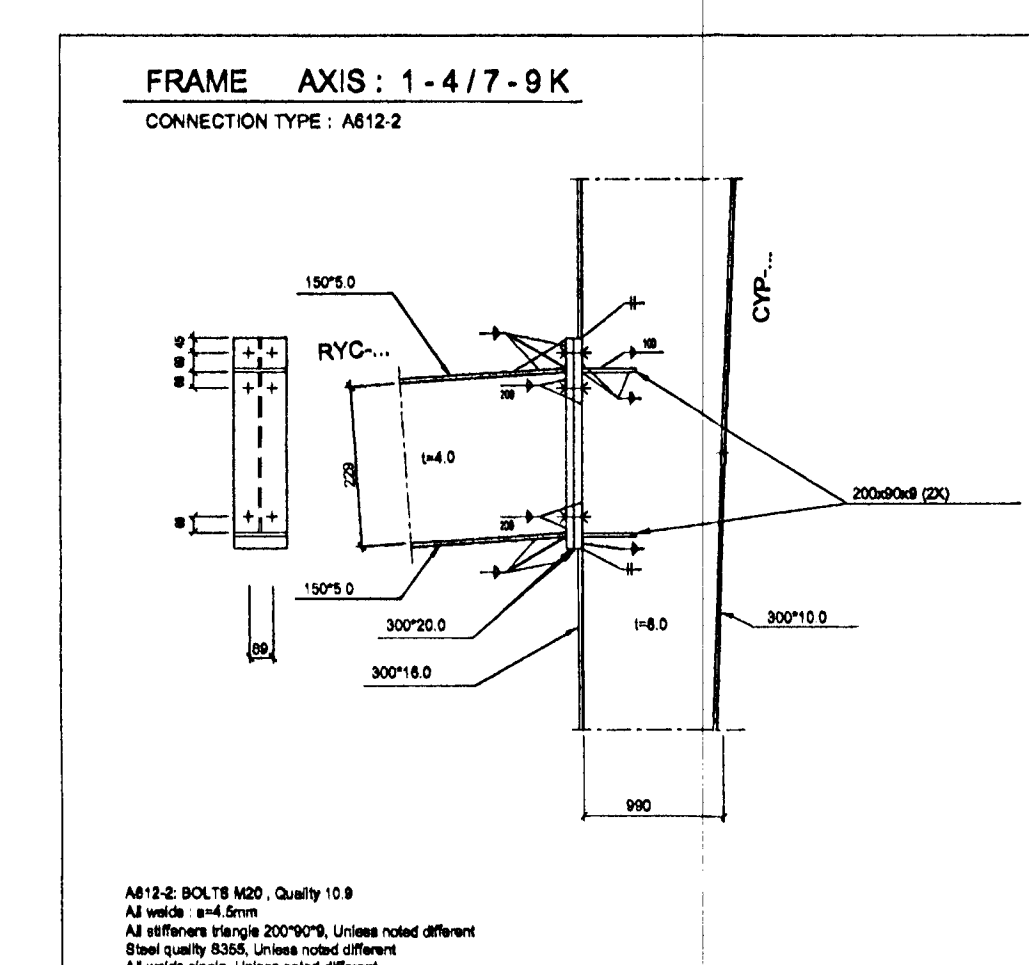
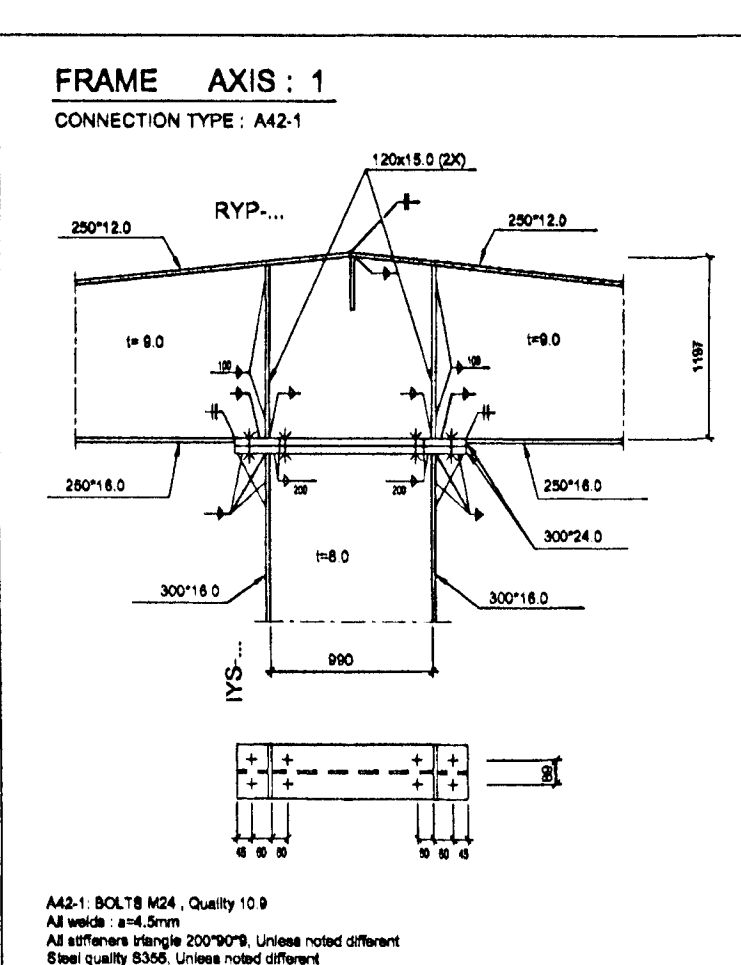
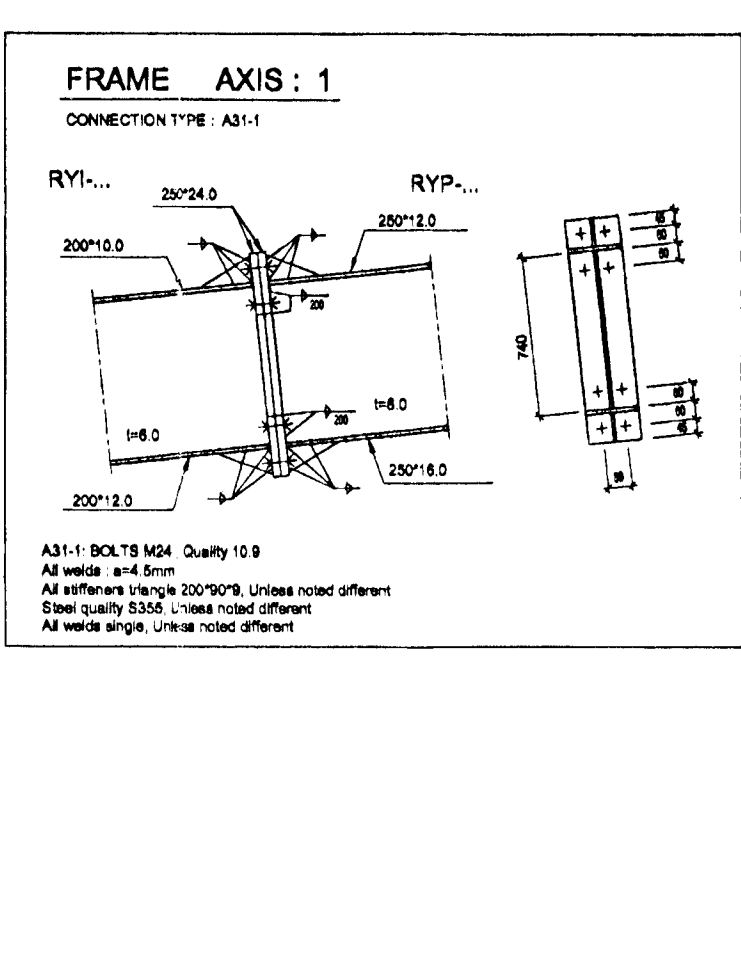
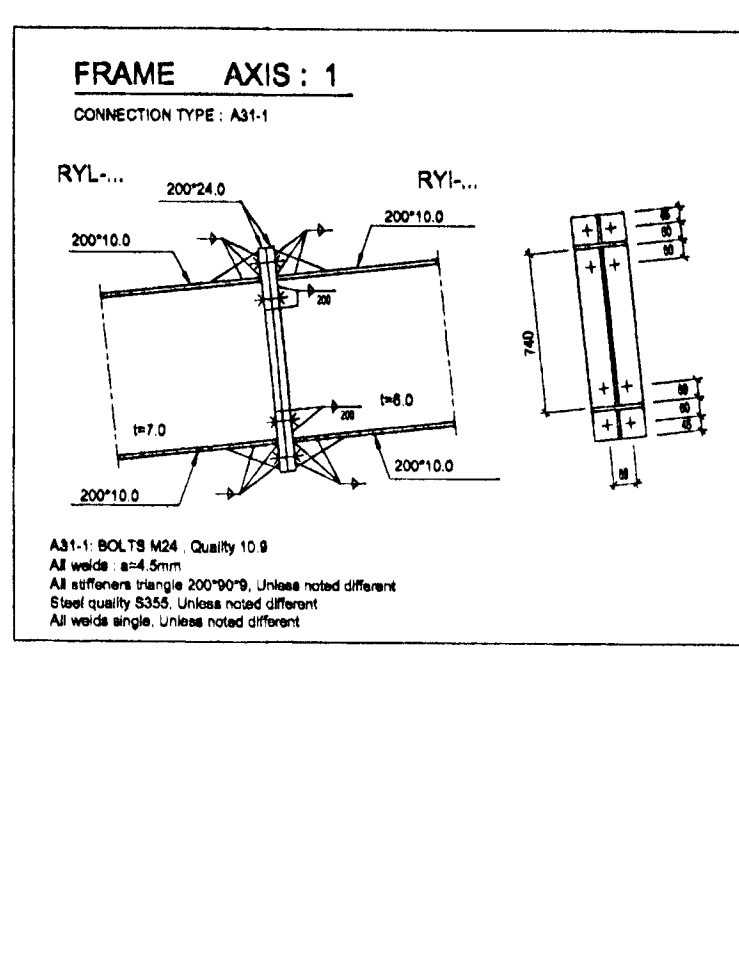
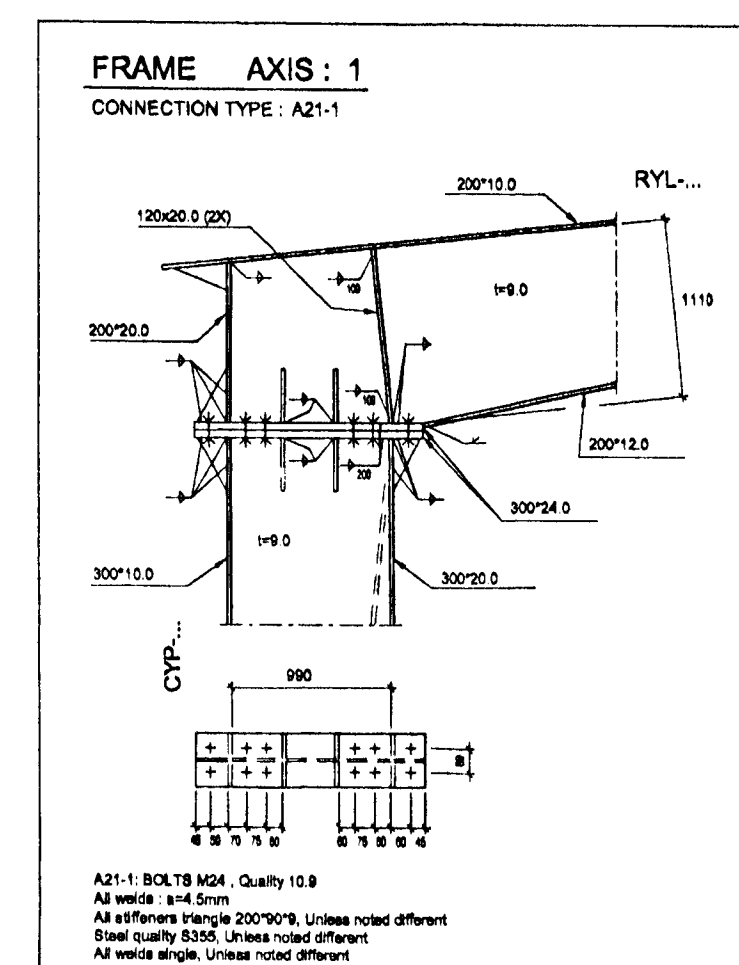
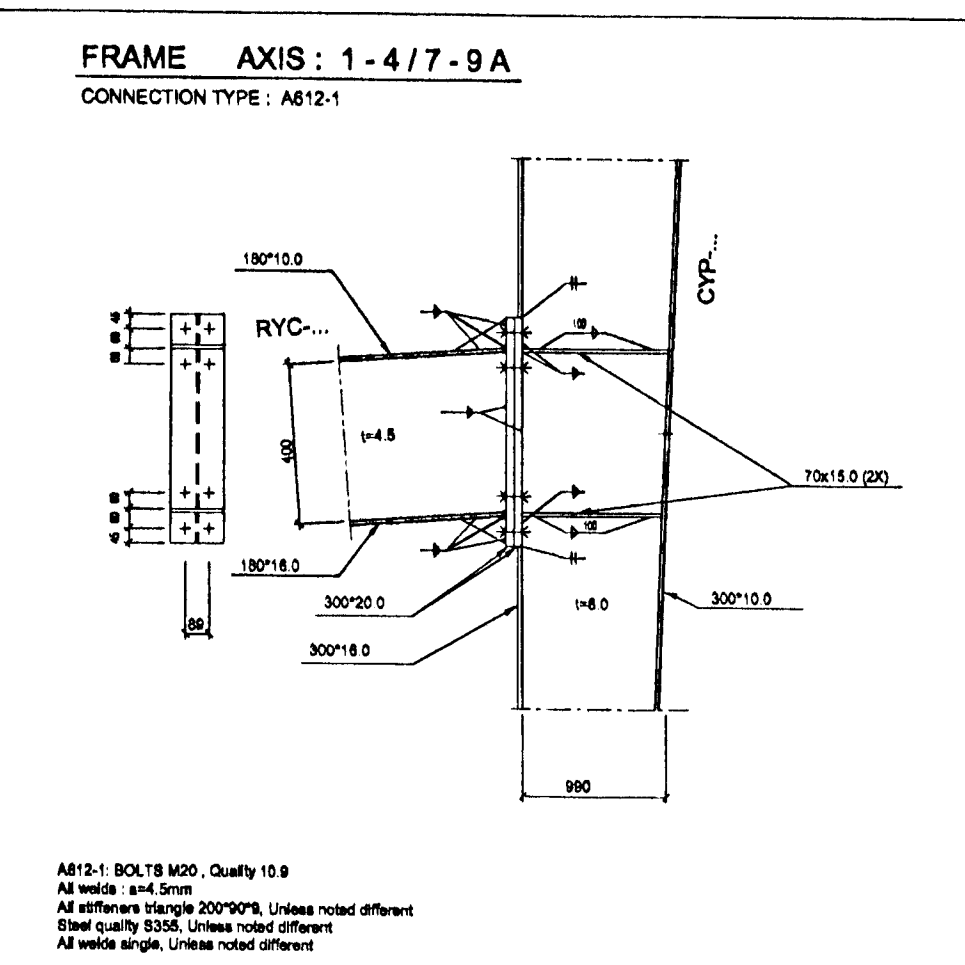
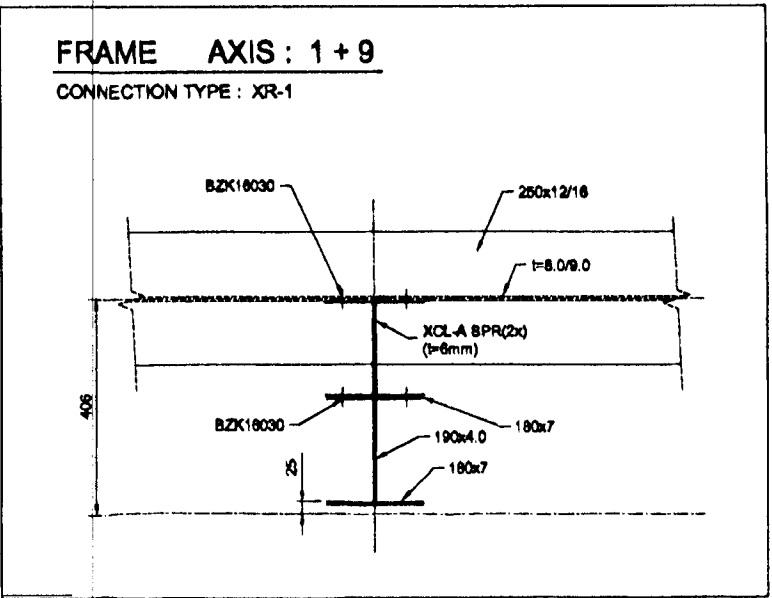
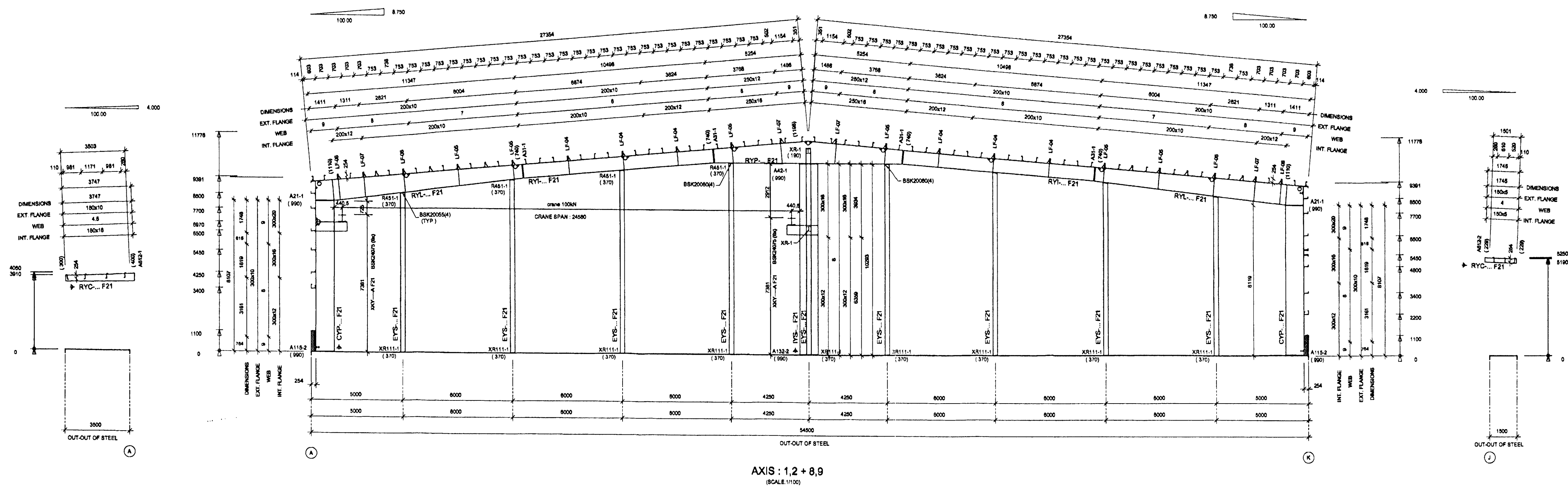


CONNECTION	BOLT	QTY
A21-1	B8C4008	2-2,2
A21-1	B8C4008	2-2,2
A21-1	B8C4008	2-2,2
A21-2	B8C4007	2-2,2
A21-2	B8C4007	2-2,2
BSK	DIN 914 / 24035 + M 24 x 85	2-2,2

BOLTS PRESTRESS ACCORDING TO PLAN
 MOS₂ LUBRICATE 1
 M20 : 450 Nm
 M24 : 800 Nm



HÚS OG RÁÐGJÖF ehf.
 ARKITEKTUR- OG TÆKNAFRÆÐISSTOFA
 IS-510393-2329 - Vax: 37600
 Skúlagata 63 - 105 Reykjavík
 Sími: 562-2420 - Fax: 562-2430

STD PROFILES DESCRIPTION LIST		NSTD PROFILES DESCRIPTION LIST	
L-F: FLANGE BRACING 50*5*3,2			
TECHNICAL NOTES			
1. Drawings to read in conjunction with ASTRON technical manual 2. All measures in millimeters 3. * = Field indicated 4. Design of foundations by local engineer 5. Applicable column reactions see chart "Foundation Reactions" 6. Purlin spacings are rounded to mm and cannot be added 7. Flange bracing installation per standard detail W1 character 8. Field locate roof openings and accessories 9. Compensation of partial tolerance currently during installation 10. Unless noted differently: 1) Purlin displacement - All peak (see W16, W20, W32) - Double purlin (see W11, W21) 2) Wind bracing details, see chapter W2 3) Roof stabilization if necessary - Purlin spacers: HSA, HSB, HSC, HSD, SEE W37 AND W38 - Slip rods (RSC...) see W6 and cross section - Tie straps (TAC 260) see W7 chapter 11. Field cut and notch girth and panels shown in overlap with Byggingafráttirinn (Hafnarfirði) F.h. Sigurbjartur Halldórsson			
This design is Astron property, copying and manufacturing components according to these drawings or calculations is illegal.			
Móhella 1, Hafnarfirði.			
DET: A115 A132 A21 A31 A42 A512	WH11 WH12		
PROJ: TÆKNAFRÆÐISSTOFA - HAFNARVERBUR BUILDING: ADM. BYGGINGARSTOFU HÉRÞRÍM LÖGATÍM ALTI LOADS: LUM, LAKS, 10/16 (Snow)		CRANE: 100KN DATE: 14.08.01 STATE: 29.07.01	103462 CS-2 A TRANSMITTALS
NORMS: PRIM. ST. SEC. DK. MENN: 1938		DATE: 19/07/01 ENG: P. Fæsk DRAP: R. Lúgna	
REV. A: Bolt length; Details changed 13.08.2001 R.L. REV. B: REV. C:			
ASTRON FRAMEWORK INTERTECH S.A. - P.O. Box 12 - 4402 DEBOUCHE (LIECHTENSTEIN)			