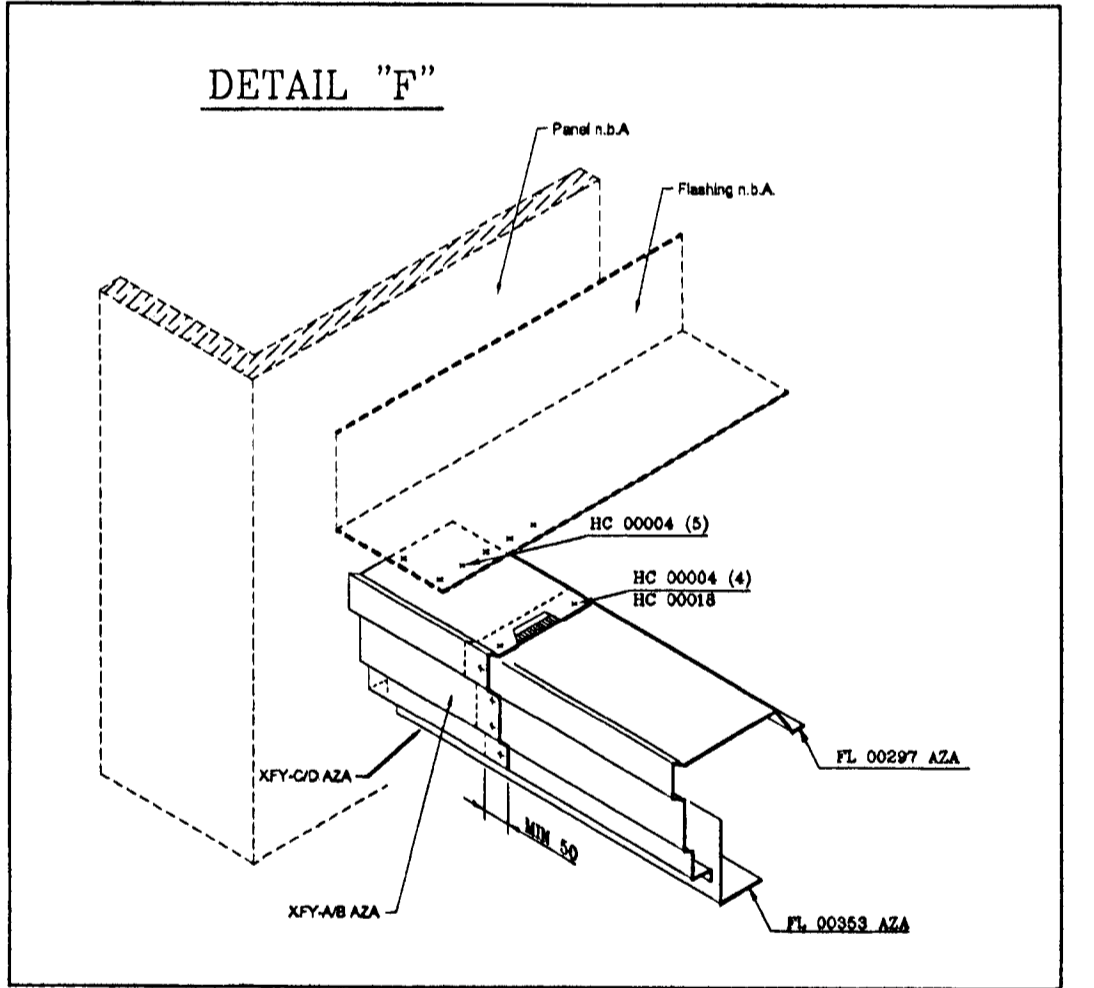
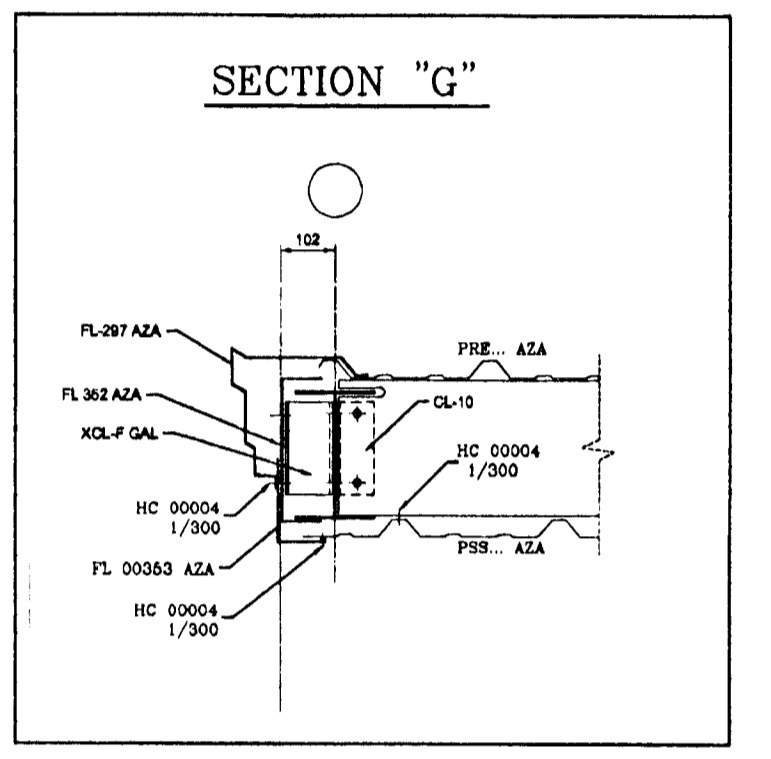
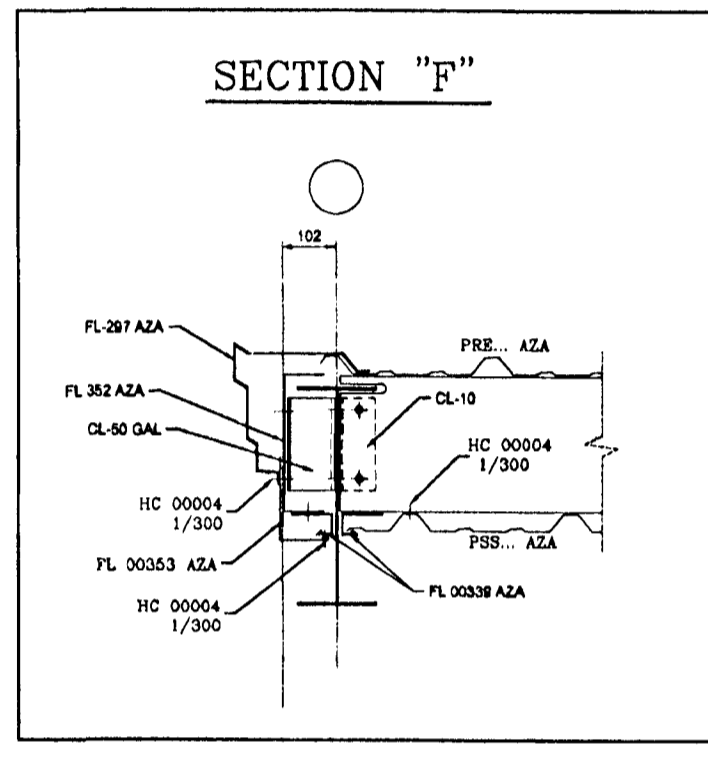
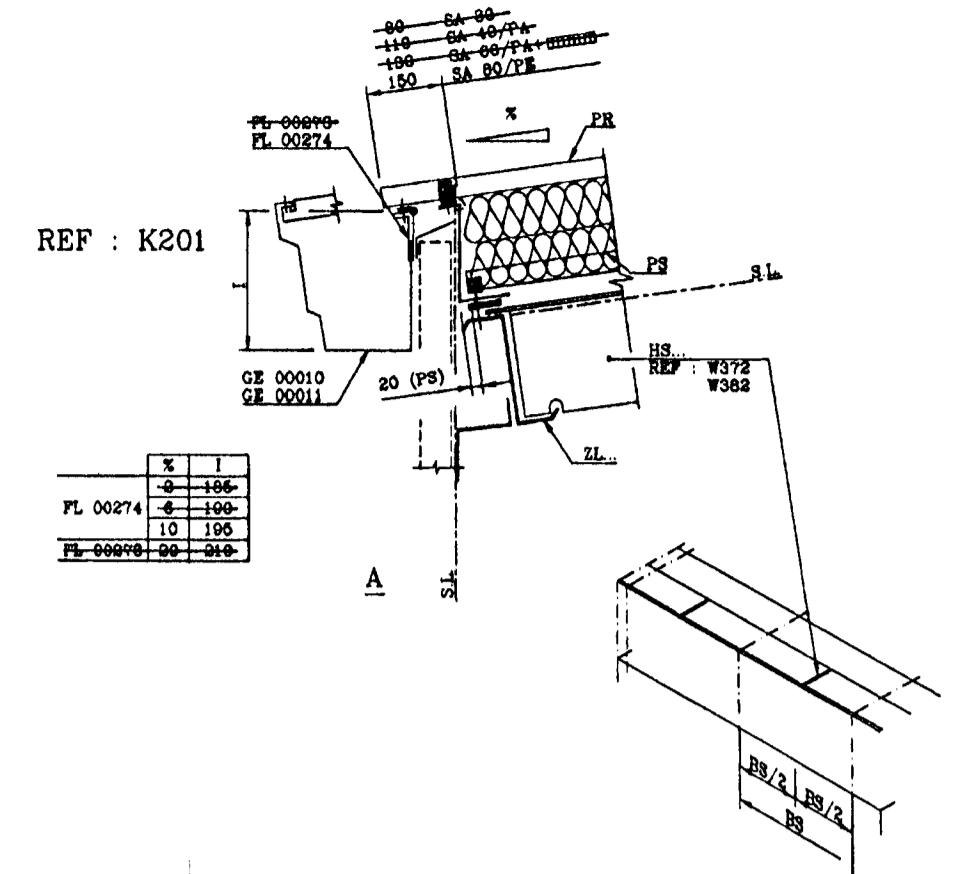


ROOF SHEETING
SILF-ORÐIN FÁRINN

Non standard pieces for PR 8,75%				
Teile Nr.	Finish/Dicke	Bezeichnung	Referenz	
GE-10	AZA	Exterior gutter	GE 10	
FL-274	AZA	Gutter trim	FL274	
FL 285L FL 285R	AZA	Gutter end closure left Gutter end closure right	FL 285 L FL 285 R	
FY-485	AZA	Peak final	FY 485	
FY-130L FY-130R	AZA	Outs corner closure left Outs corner closure right	FY 130 L FY 130 R	
XCL-E	GAL	Peak dia.	CL 20	
XPL-F	AZA	Ridge cap	FL 00001	
XPL-G	AZA	Inside ridge cap	FL 00546	



- TECHNICAL NOTES
1. Drawings to read in conjunction with ASTRON technical manual
 2. All measures in millimeters
 3. * = Field adapted
 4. Design of foundations by local engineer
 5. Applicable column reactions see chart "Foundation Reactions"
 6. Purlin spacings are rounded to mm and cannot be added
 7. Flange bracing installation see standard detail W7 chapter
 8. Field locate roof openings and accessories
 9. Compensation of panel tolerance currently during installation
 10. Unless noted differently:
 - 1) Purlin dimensions: A) peak (see W316, W208, W207) - Double purlin (see W311, W221)
 - 2) Wind bracing details, see chapter W2
 - 3) Roof installation if necessary
 - 4) Purlin spacings (HSA, HSB, HSC, HSD, SEE W37 AND W38)
 - 5) Sag note (RSC) - see W5 and cross section
 - 6) The astragal (HC 250) see W7 chapter
 11. Field cut and adapt girts and panels shown in overlap with an accessory element

Sampykkt þann
10 JAN. 2002
Byggingafulldráttinn í Hafnarfirði
Eh. Sigurbjartur Halldórsson

This design is Astrom property, copying and manufacturing components according to these drawings or calculations is illegal.

Móhella 1, Hafnarfirði.

DET:	4132	4138	K101	K104	K104	K201	K202	K203	K204	K205
	K206	K207	K208	K211	K232	K282				

Za *	14.08.01	Skiss + erection crew
Zb *	23.07.01	Skiss

PROJ: TÆKJATEKNI 8 - HAFNARJÖRÐUR
BUILDING: KZM 8.75% SPANNS 500m E18 281m L 58.412m
LOADS: LUM.LAGA.10/178 (DanH2)

BIC: Skiss
ORANE: 100N
DATE: 19/07/01
ENG.: P. Falzon
DRAF: R. Luger

ASTRON
COMMERCIAL INTERTECH S.A. - P.O. Box 152 - L-6222 DEKROH LUXEMBOURG - tel: 352/620291

HÚS OG RÁÐGIÖF ehf.
ARKITEKTUR OG VERKFRÆÐISSTOFA
K/L 510593-2539 - Vsk. 37600
Skúlastræti 63 - 105 Reykjavík
Sími 512-2420 - Fax 512-2450

Handwritten signatures and notes:
Hafnarfirði
Gunnar P. Gunnarsson
Einar P. Einarsson