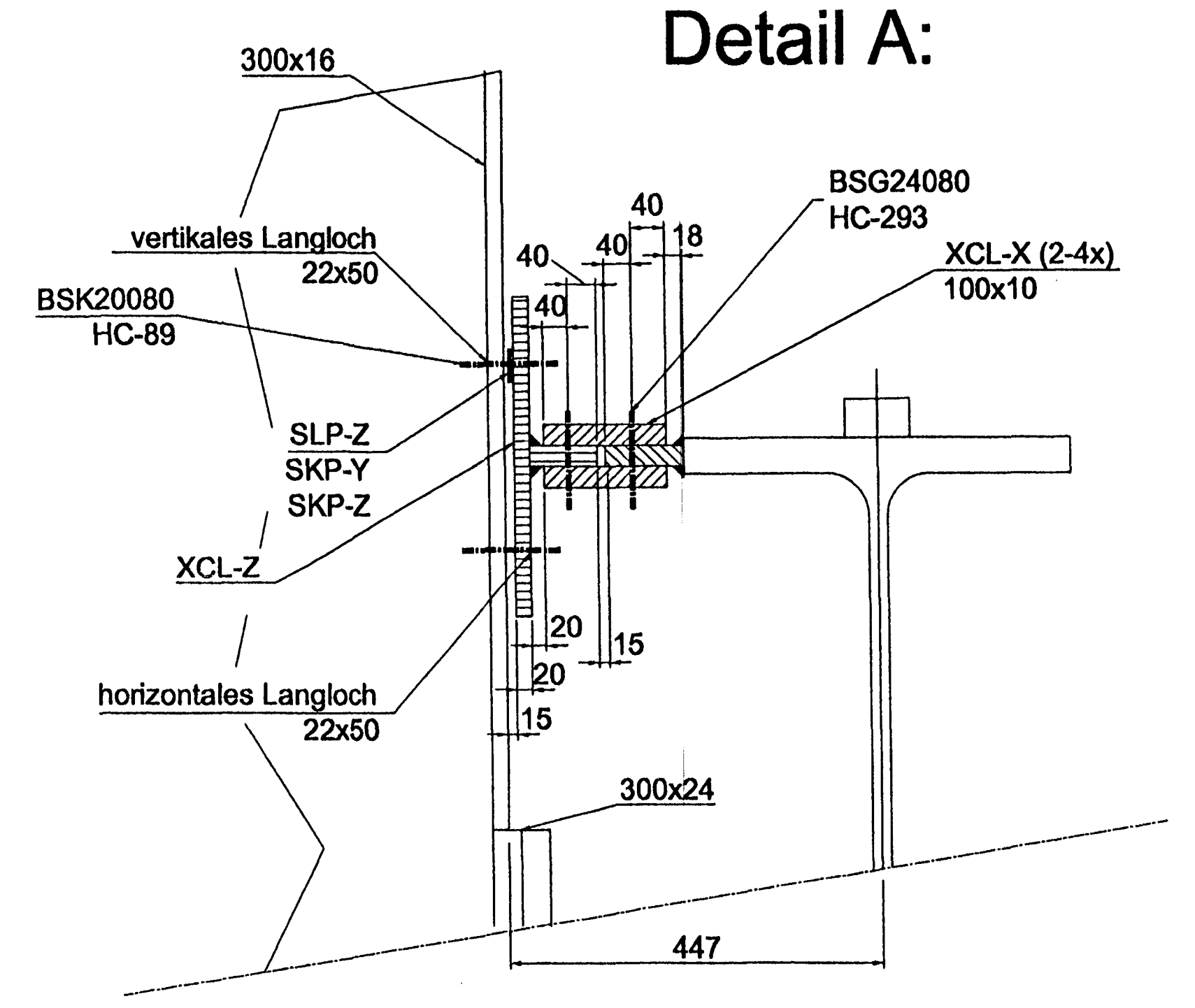
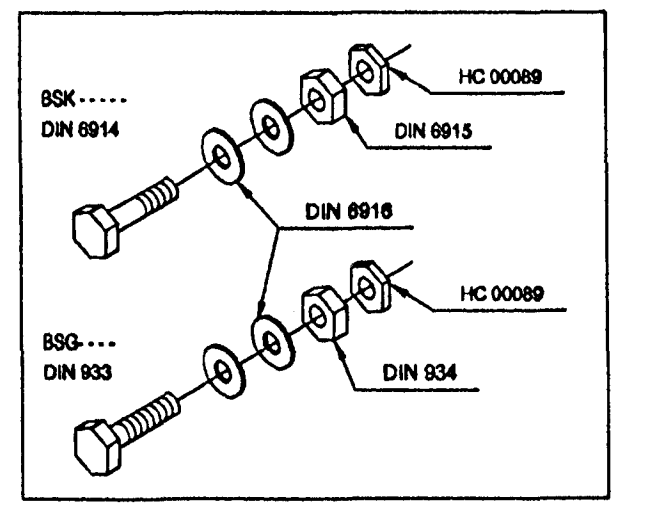
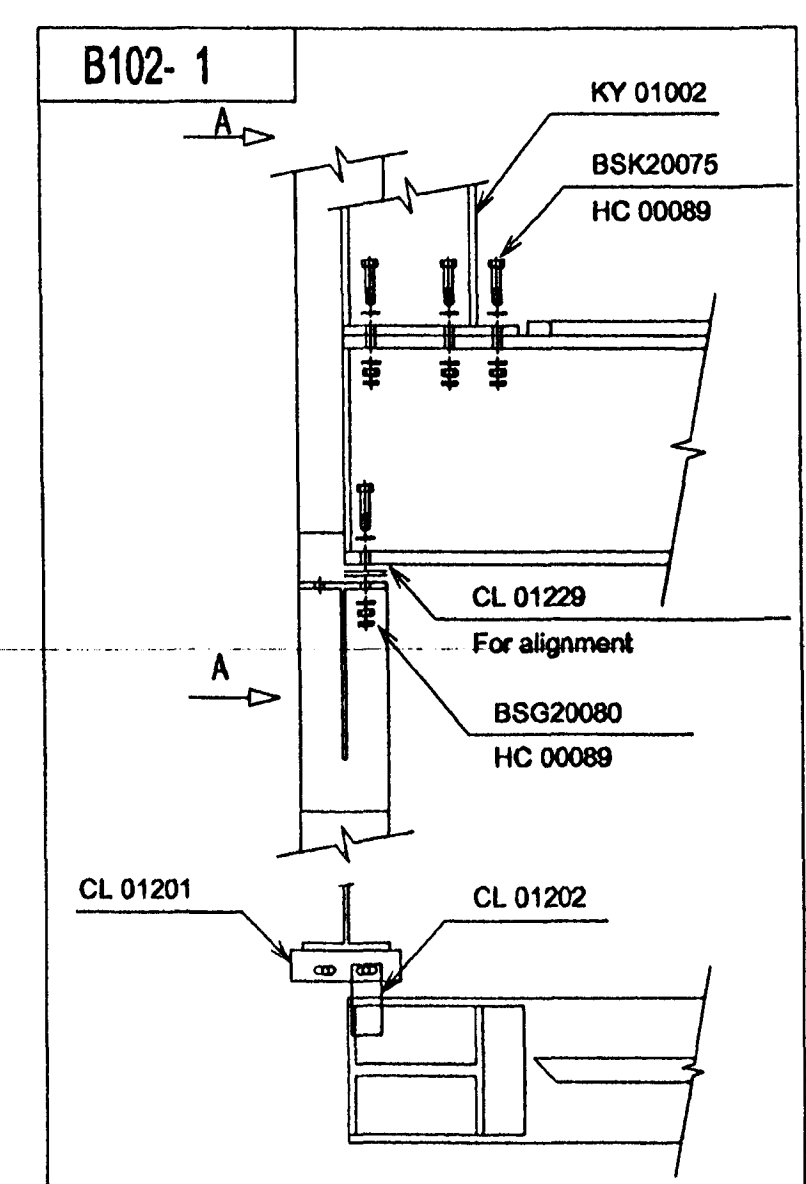
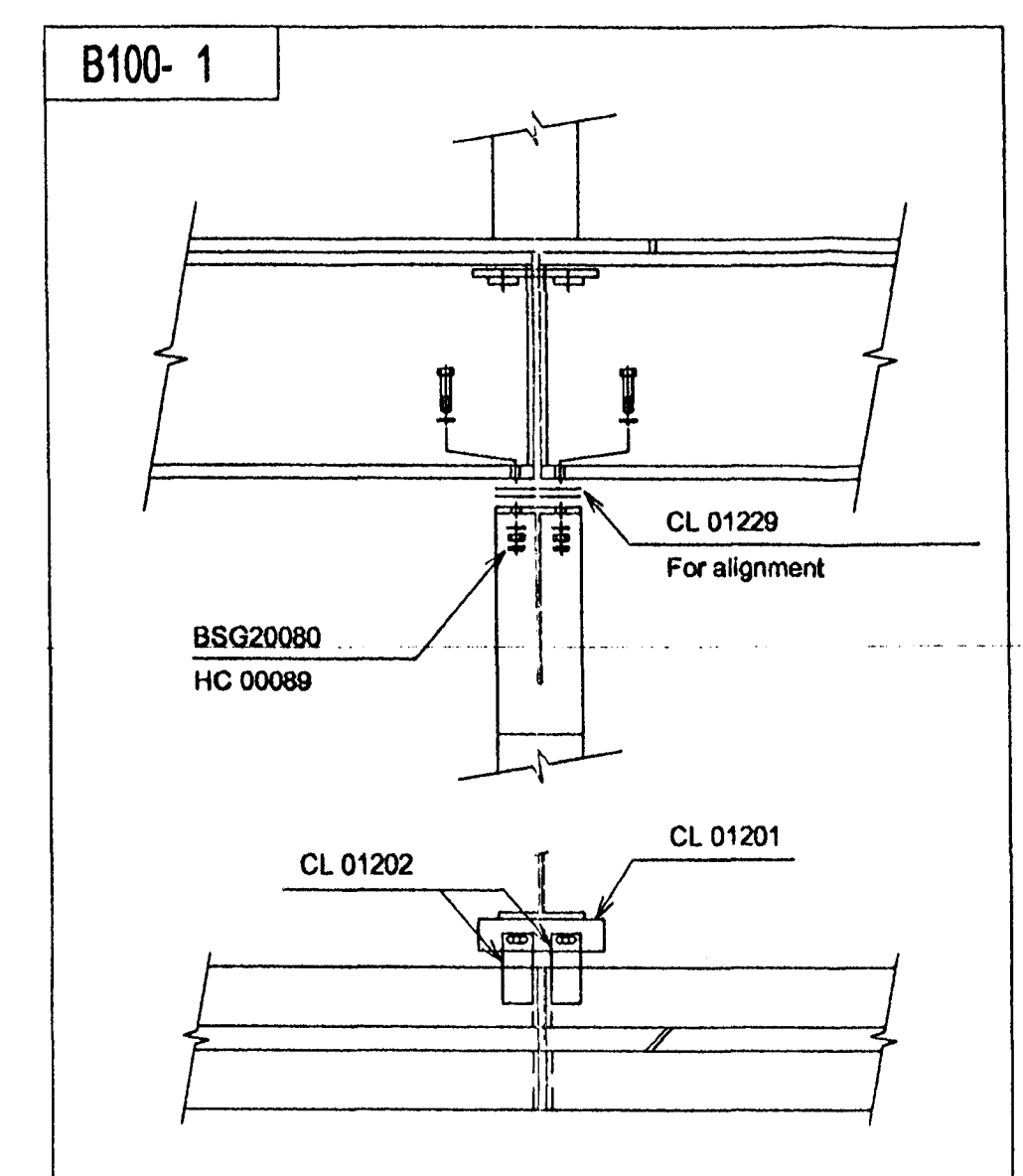
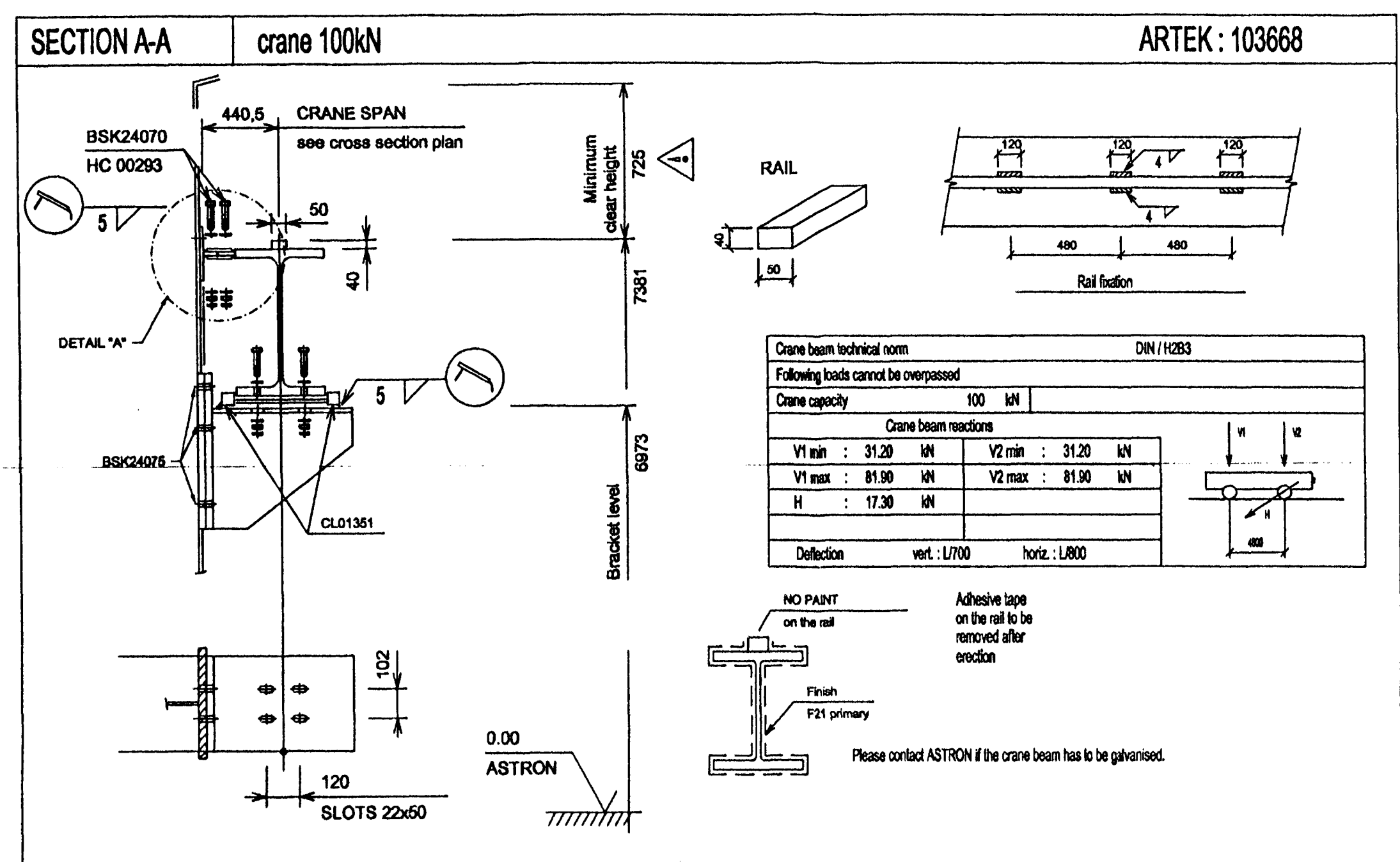
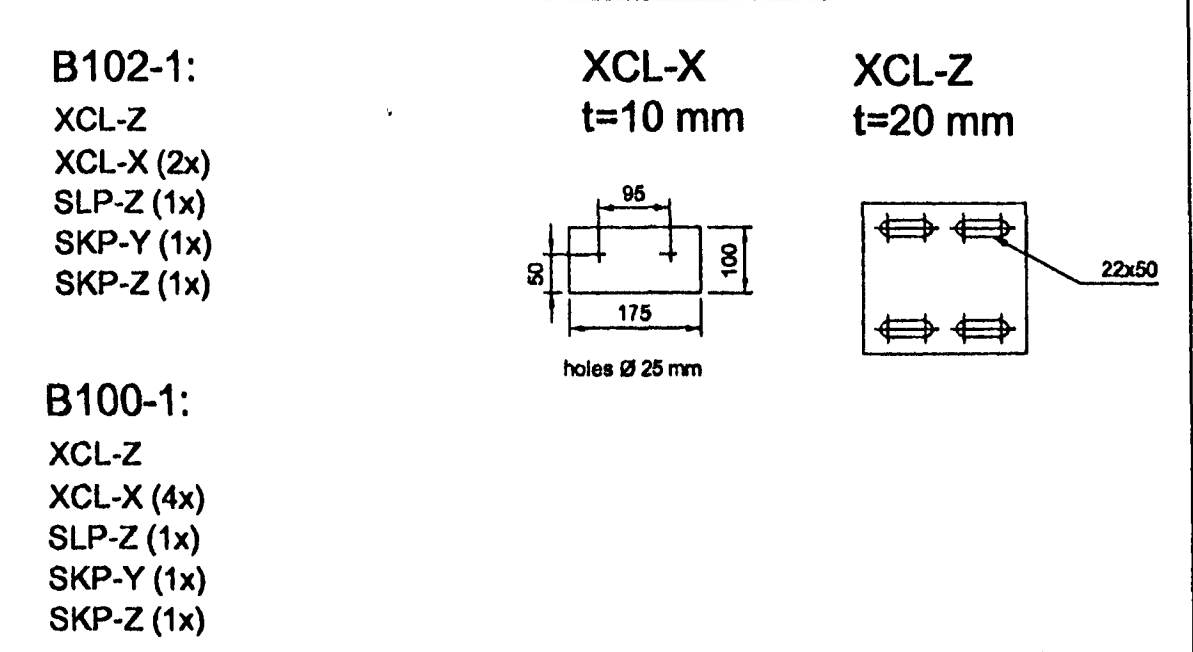


S 355 J263

	H	tw	B	tf	r	W m
HD 400 x 187	368	15	391	24	15	187



CRANE LAYOUT
(SCALE: 1/125)



HÚS OG RÁÐGJÖF ehf.
ARKITEKTUR OG TÆKNIRÁÐISTOFA
Kl. 10393-2529 - Vsk 37600
Skjalagutu 63 - 105 Reykjavík
Sími 562-2420 - Fax 562-2430

Flóki Samiðsson
Guðbjörg Þorvaldsson

TECHNICAL NOTES

- Drawings to read in conjunction with ASTRON technical manual
- All measures in millimeters
- * = Field adapted
- Design of foundations by local engineer
- Applicable column reactions see chart "Foundation Reactions"
- Purlin spacings are rounded to mm and cannot be added
- Flange bracings installation per standard detail W1 chapter
- Field locate roof openings and accessories
- Compensation of panel tolerance currently during installation
- Unless noted differently:
 - Purlin diaphragms - At peak (see W316, W326, W327)
 - Double purlins (see W311, W321)
 - Wind bracing details, see chapter W2
 - Roof stabilisation if necessary:
 - Purlin spacers (HSA, HSB, HSC, HSD. SEE W37 AND W38)
 - Sag rods (RSG...) see W6 and cross section
 - Tie straps (HC 250) see W7 chapter
- Field cut and adapt girts and panels shown in overlap with an accessory element

Sampykkt þann
10 JAN. 2002
Eh. Sigurbjartur Halldórsson

Móhella 1, Hafnarfirði

DE:

Z ^o	DATE	DESCRIPTION
2x	14.08.01	Stalax + erection crew
2x	23.07.01	Stalax

TRANSMITTALS

PROJ: TAEKIATAEONI-B - HAFNARJÖRÐUR BID: Stalax

BUILDING: AZM1 8.75% SPAN54.500m EH3.391m L58.412m

LOADS: LL/WJAdL: 10/17/6 (DaVn2) CRANE: 100KN

NORMS: PRIM. IST SEC. DK MENLU-13h36

103462
CR-1 A

ASTRON
REV. A: Details changed; Partrumbering 13.08.2001 RL
REV. B:
REV. C:

DATE: 19/07/01
ENG.: P. Fautsch
DRAF.: R. Ludjen

COMMERCIAL INTERTECH S.A. - P.O.Box152 - L-9202 DIEKIRCH-LUXEMBOURG - tel:352/802911